



Chipsmall Limited consists of a professional team with an average of over 10 year of expertise in the distribution of electronic components. Based in Hongkong, we have already established firm and mutual-benefit business relationships with customers from,Europe,America and south Asia,supplying obsolete and hard-to-find components to meet their specific needs.

With the principle of “Quality Parts,Customers Priority,Honest Operation,and Considerate Service”,our business mainly focus on the distribution of electronic components. Line cards we deal with include Microchip,ALPS,ROHM,Xilinx,Pulse,ON,Everlight and Freescale. Main products comprise IC,Modules,Potentiometer,IC Socket,Relay,Connector.Our parts cover such applications as commercial,industrial, and automotives areas.

We are looking forward to setting up business relationship with you and hope to provide you with the best service and solution. Let us make a better world for our industry!



Contact us

Tel: +86-755-8981 8866 Fax: +86-755-8427 6832

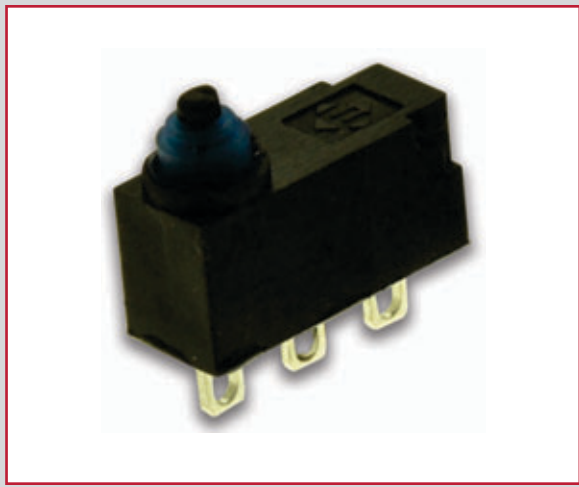
Email & Skype: info@chipsmall.com Web: www.chipsmall.com

Address: A1208, Overseas Decoration Building, #122 Zhenhua RD., Futian, Shenzhen, China



WS SERIES SNAP ACTION SWITCH

ANTI-VANDAL SWITCHES
 DETECTOR SWITCHES
 DIP SWITCHES
 KEYLOCK SWITCHES
 NAVIGATION SWITCHES
 PUSHBUTTON SWITCHES
 ROCKER SWITCHES
 ROTARY SWITCHES
 SLIDE SWITCHES
SNAP ACTION SWITCHES
 TACTILE SWITCHES
 TOGGLE SWITCHES
 CAP OPTIONS



APPLICATIONS / MARKETS



HVAC



Electrical Housewares



Floor Care Appliances



White Goods



Vending Machines



Medical Equipment

RoHS

SPECIFICATIONS

Contact Rating: 01 = 1A @ 24VDC
 02 = 2A @ 12VDC
 03 = 0.1A @ 125VAC
Electrical Life: 10,000 Cycles
Mechanical Life: 1,000,000 Cycles
Contact Resistance: 100mΩ Max. Initial
Insulation Resistance: 100MΩ Min. @ 500VDC
Dielectric Strength: 600VAC
Operating/Storage Temperature: -25°C to 85°C
Moisture Protection: IP67
Contact Arrangement: SPDT
Actuation Force: See Table
Agency Approvals: UL

FEATURES & BENEFITS

- Plunger or lever actuator options
- Multiple termination options
- IP67 rated

PART NUMBER CONFIGURATOR

Series	Operating Temperature	Current Rating	Actuator	Operating Force	Termination	Circuit
<input type="text" value="WS"/>	<input type="text" value="085"/> <input type="text" value="85C"/>	<input type="text" value="01"/> <input type="text" value="2A"/> <input type="text" value="125VAC"/>	<input type="text" value="00"/> <input type="text" value="01"/>	<input type="text" value="F070"/> <input type="text" value="F050"/>	<input type="text" value="P"/> <input type="text" value="S"/>	<input type="text" value="A"/>
WS	085 - 85C	01 - 1A @24VDC 2A @12VDC 0.1A @125VAC	00 - Pin Plunger 01 - 20mm Lever	F070 - 70 grams with 00 plunger F050 - 70 grams with 01 lever	P - PCB Pins S - Solderlug	A - SPDT

Specifications subject to change without notice



E-SWITCH®

www.e-switch.com

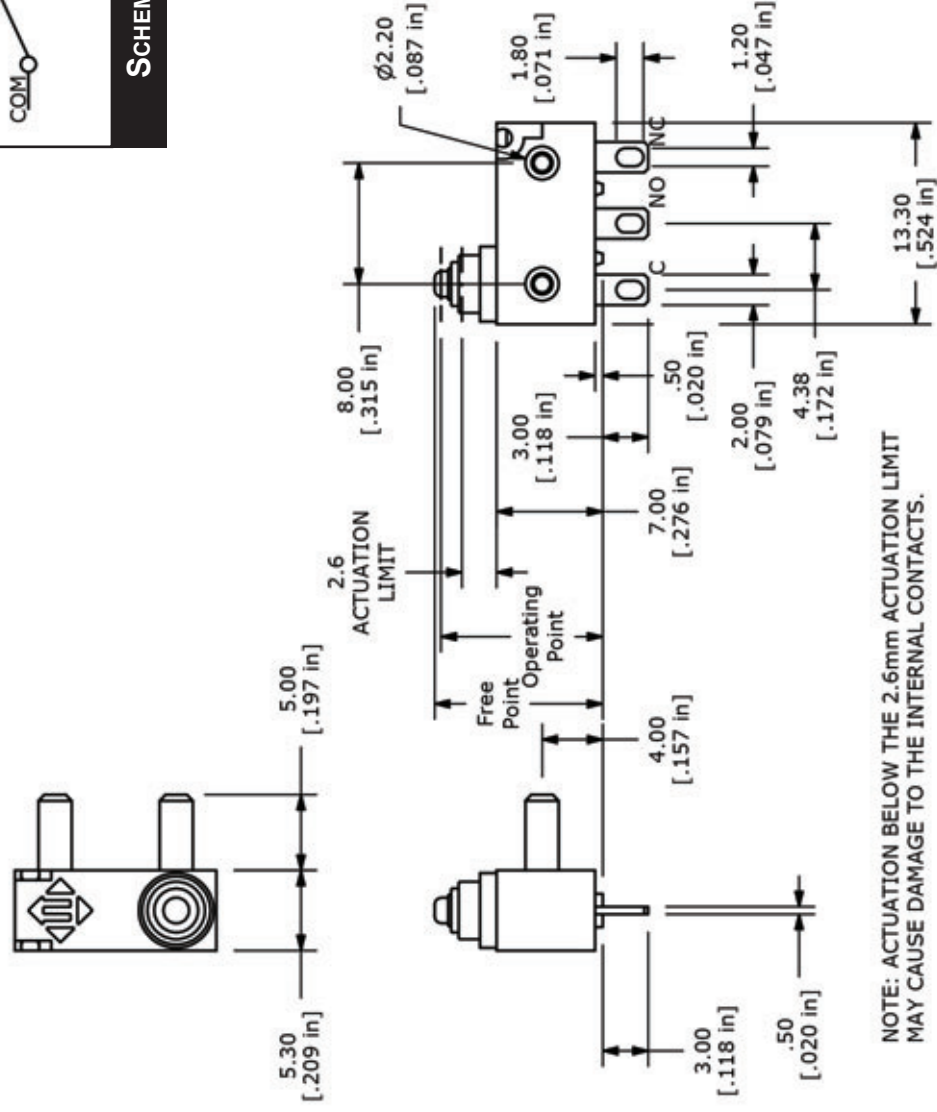
800.867.2717

2

WS SERIES SNAP ACTION SWITCH

SOLDER LUG TERMINALS

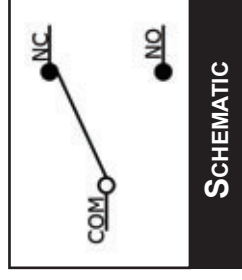
Plunger Actuator



NOTE: ACTUATION BELOW THE 2.6mm ACTUATION LIMIT MAY CAUSE DAMAGE TO THE INTERNAL CONTACTS.

OPERATING POINT CHART		
ACTUATOR STYLE	FREE POINT	OPERATING POINT
00	11.5mm Max.	10.5±0.3mm
01	15.0mm Max.	13.4±0.8mm

NOTE: FOR WIRE LEAD TERMINATION MODELS, THE FREE POINT AND OPERATING POINT WOULD BE MEASURED FROM THE MOUNTING BOSSES. THIS WILL REDUCE THE ABOVE LISTED VALUES BY 4MM'S



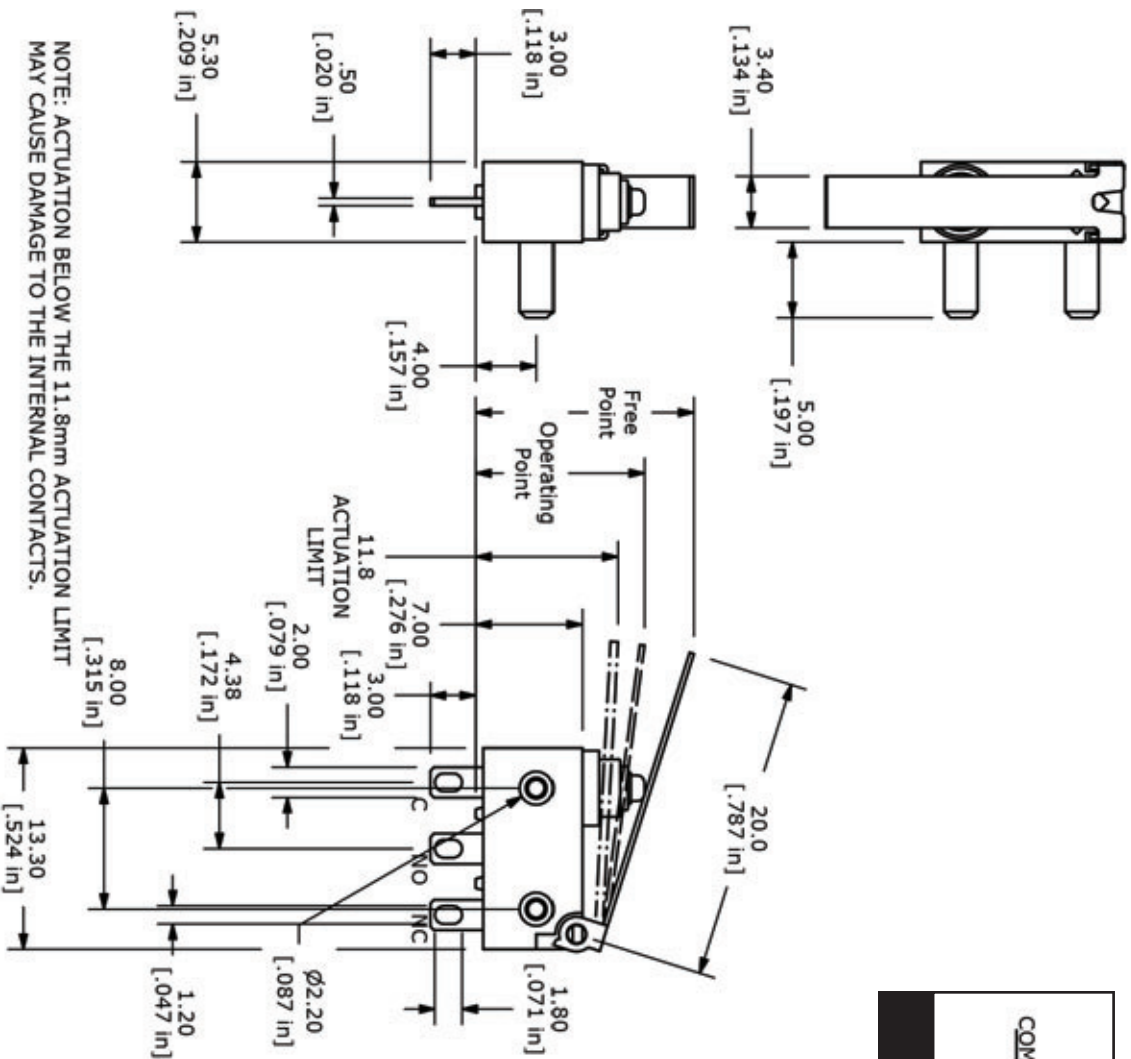
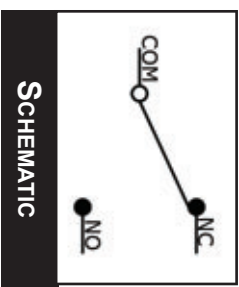
SCHEMATIC



WS SERIES SNAP ACTION SWITCH

SOLDER LUG TERMINALS

Lever Actuator



OPERATING POINT CHART		
ACTUATOR STYLE	FREE POINT	OPERATING POINT
00	11.5mm Max.	10.5±0.3mm
01	15.0mm Max.	13.4±0.8mm

NOTE: FOR WIRE LEAD TERMINATION MODELS, THE FREE POINT AND OPERATING POINT WOULD BE MEASURED FROM THE MOUNTING BOSSES. THIS WILL REDUCE THE ABOVE LISTED VALUES BY 4MM'S

CAP
OPTIONS

TOGGLE
SWITCHES

TACTILE
SWITCHES

**SNAP ACTION-
SWITCHES**

SLIDE
SWITCHES

ROTARY
SWITCHES

ROCKER
SWITCHES

PUSHBUTTON
SWITCHES

NAVIGATION
SWITCHES

KEYLOCK
SWITCHES

DIP
SWITCHES

DETECTOR
SWITCHES

ANTI-VANDAL
SWITCHES



E-SWITCH®

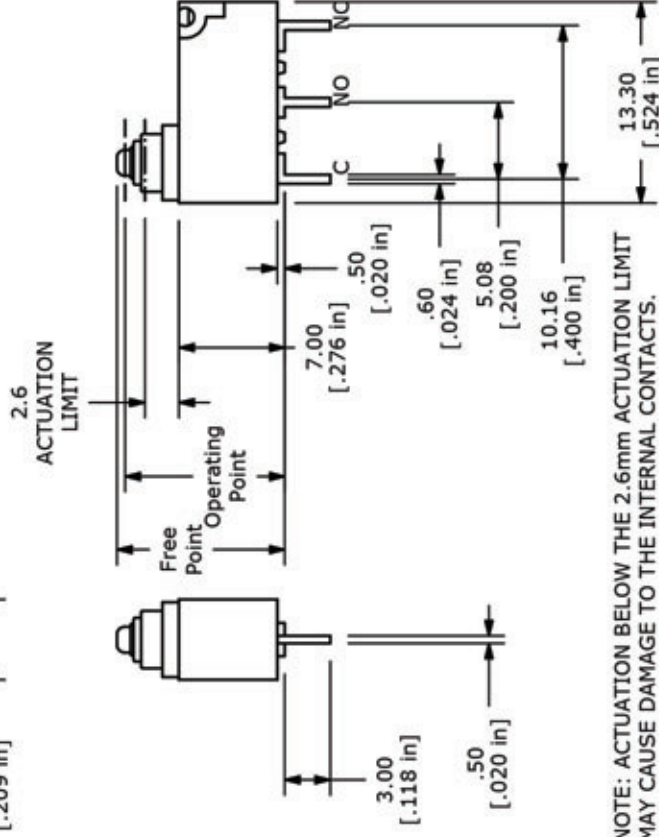
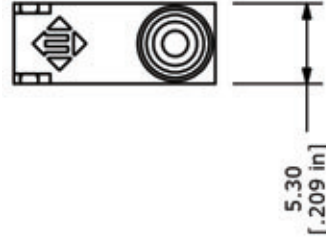
www.e-switch.com

800.867.2717

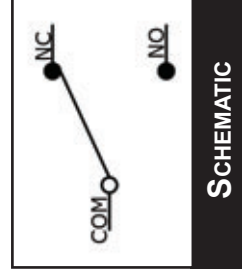
WS SERIES SNAP ACTION SWITCH

PCB PIN TERMINALS

Plunger Actuator

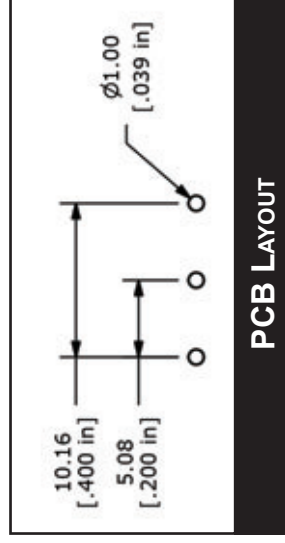


NOTE: ACTUATION BELOW THE 2.6mm ACTUATION LIMIT MAY CAUSE DAMAGE TO THE INTERNAL CONTACTS.



OPERATING POINT CHART		
ACTUATOR STYLE	FREE POINT	OPERATING POINT
00	11.5mm Max.	10.5±0.3mm
01	15.0mm Max.	13.4±0.8mm

NOTE: FOR WIRE LEAD TERMINATION MODELS, THE FREE POINT AND OPERATING POINT WOULD BE MEASURED FROM THE MOUNTING BOSSES. THIS WILL REDUCE THE ABOVE LISTED VALUES BY 4MM'S



ANTI-VANDAL SWITCHES

DETECTOR SWITCHES

DIP SWITCHES

KEYLOCK SWITCHES

NAVIGATION SWITCHES

PUSHBUTTON SWITCHES

ROCKER SWITCHES

ROTARY SWITCHES

SLIDE SWITCHES

SNAP ACTION SWITCHES

TACTILE SWITCHES

TOGGLE SWITCHES

CAP OPTIONS



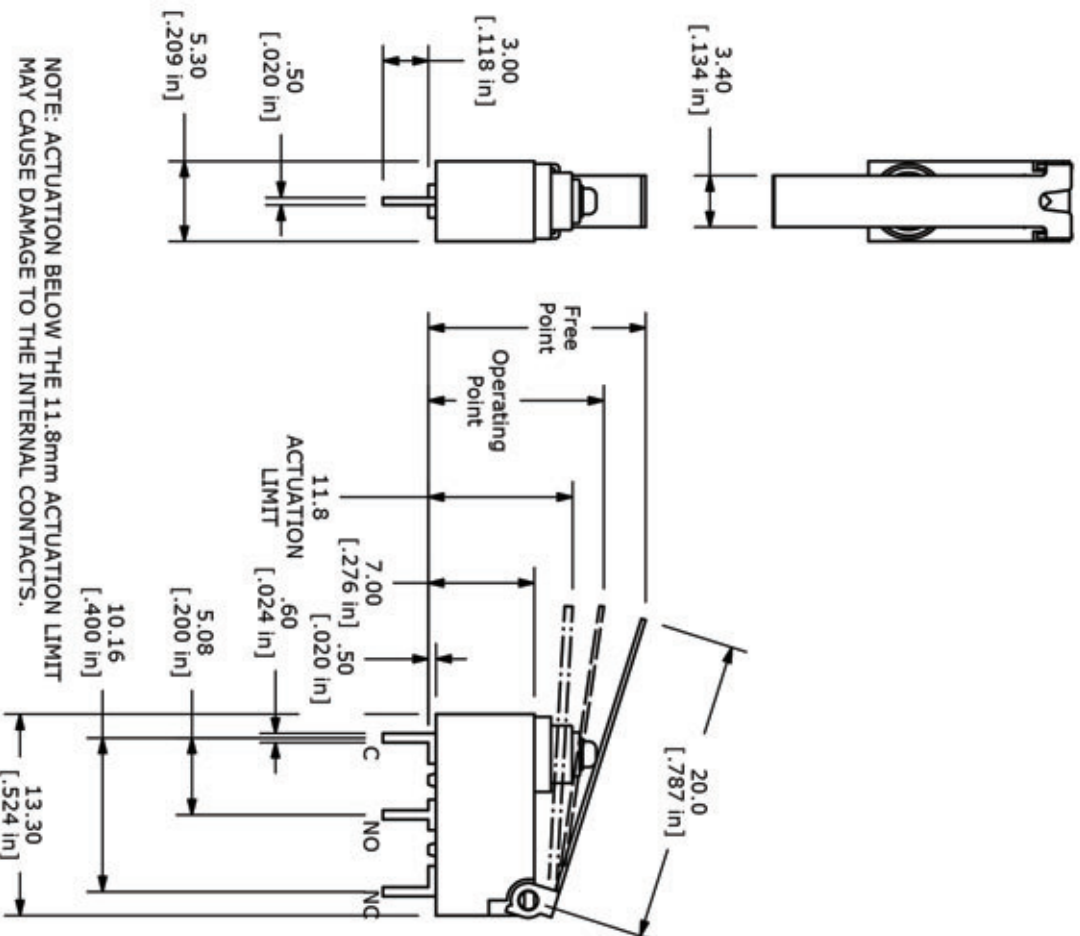
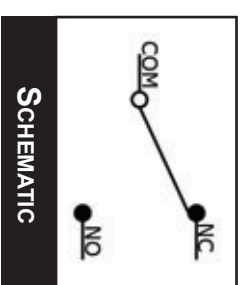
E-SWITCH®

www.e-switch.com 800.867.2717

5

PCB PIN TERMINALS

Lever Actuator



OPERATING POINT CHART		
ACTUATOR STYLE	FREE POINT	OPERATING POINT
00	11.5mm Max.	10.5±0.3mm
01	15.0mm Max.	13.4±0.8mm

NOTE: FOR WIRE LEAD TERMINATION MODELS, THE FREE POINT AND OPERATING POINT WOULD BE MEASURED FROM THE MOUNTING BOSSES. THIS WILL REDUCE THE ABOVE LISTED VALUES BY 4MM'S

