



Chipsmall Limited consists of a professional team with an average of over 10 year of expertise in the distribution of electronic components. Based in Hongkong, we have already established firm and mutual-benefit business relationships with customers from,Europe,America and south Asia,supplying obsolete and hard-to-find components to meet their specific needs.

With the principle of “Quality Parts,Customers Priority,Honest Operation,and Considerate Service”,our business mainly focus on the distribution of electronic components. Line cards we deal with include Microchip,ALPS,ROHM,Xilinx,Pulse,ON,Everlight and Freescale. Main products comprise IC,Modules,Potentiometer,IC Socket,Relay,Connector.Our parts cover such applications as commercial,industrial, and automotives areas.

We are looking forward to setting up business relationship with you and hope to provide you with the best service and solution. Let us make a better world for our industry!



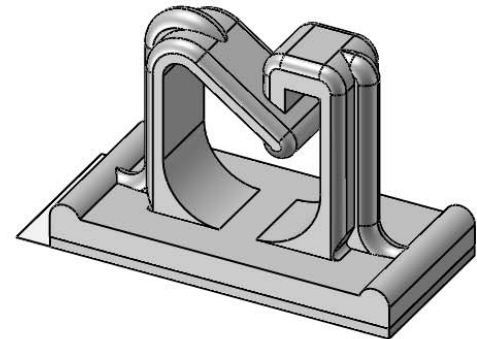
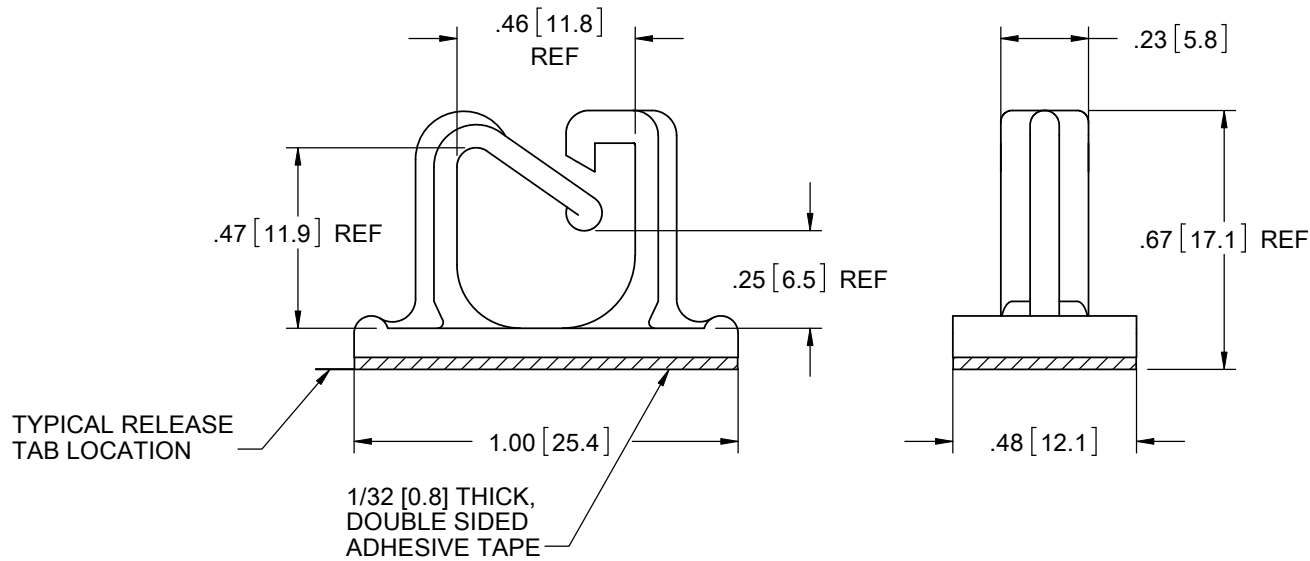
Contact us

Tel: +86-755-8981 8866 Fax: +86-755-8427 6832

Email & Skype: info@chipsmall.com Web: www.chipsmall.com




Address: A1208, Overseas Decoration Building, #122 Zhenhua RD., Futian, Shenzhen, China





NOTES:

1. MATERIAL: NYLON 6/6 UL 94 V-2 (RMS-01).
 - NYLON 6/6 UL 94 V-0 (RMS-19), AVAILABLE BY SPECIAL ORDER ONLY.
 -UV STABILIZED, NYLON 6/6 (RMS-46), COLOR: BLACK, AVAILABLE BY SPECIAL ORDER ONLY.
2. COLOR: NATURAL.
3. ADHESIVE: ACRYLIC ADHESIVE TAPE (RMS-15).
 RUBBER ADHESIVE TAPE (RMS-102), AVAILABLE BY SPECIAL ORDER ONLY. TO ORDER USE SUFFIX 'A1-RT'.
4. ALTERNATE UNITS FOR REFERENCE ONLY.

			TITLE: WIRE SADDLE ON BASE				  DWG IN IN [MM]			
CREATED USING SOLIDWORKS			FILE #: WSB2	DWN: SK	APP: RT	FINAL				
C	SEE CO 200273 FOR CHANGES	SK	11/04/08	SHEET: 1 OF 1	SHEET SIZE: A	DT: 12/15/06	CHKD: DZ	PART #		PRINT TYPE
B	SEE ECN #1267 FOR CHANGES	SK	12/15/06	RE: RICHCO, INC.		RICHCO, INC.		WSB-2-01A-RT		CA
A	ADDED NOTES AND CHANGED FILE NO.	SM	04.10.01	ENG@RICHCO-INC.COM		(773) 539-4060				
REV.	DESCRIPTION	ENGR.	DATE	TOLERANCES UNLESS NOTED .XX=±.010 .XXX=±.005 FRAC.=±1/64 ANG.=±1°						