



Chipsmall Limited consists of a professional team with an average of over 10 year of expertise in the distribution of electronic components. Based in Hongkong, we have already established firm and mutual-benefit business relationships with customers from,Europe,America and south Asia,supplying obsolete and hard-to-find components to meet their specific needs.

With the principle of "Quality Parts,Customers Priority,Honest Operation,and Considerate Service",our business mainly focus on the distribution of electronic components. Line cards we deal with include Microchip,ALPS,ROHM,Xilinx,Pulse,ON,Everlight and Freescale. Main products comprise IC,Modules,Potentiometer,IC Socket,Relay,Connector.Our parts cover such applications as commercial,industrial, and automotives areas.

We are looking forward to setting up business relationship with you and hope to provide you with the best service and solution. Let us make a better world for our industry!



Contact us

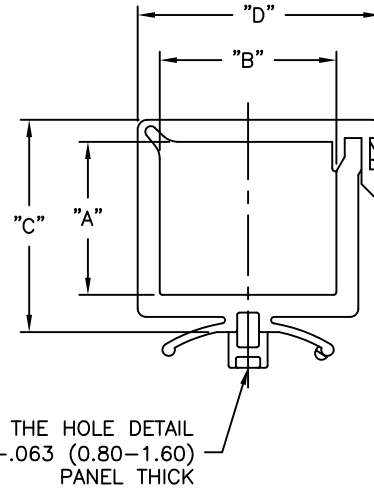
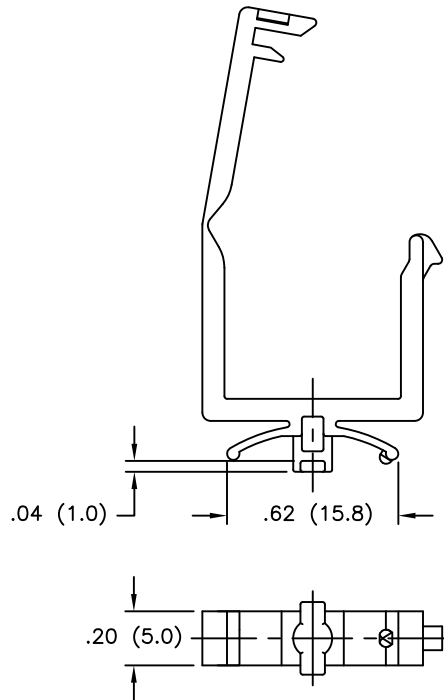
Tel: +86-755-8981 8866 Fax: +86-755-8427 6832

Email & Skype: info@chipsmall.com Web: www.chipsmall.com

Address: A1208, Overseas Decoration Building, #122 Zhenhua RD., Futian, Shenzhen, China

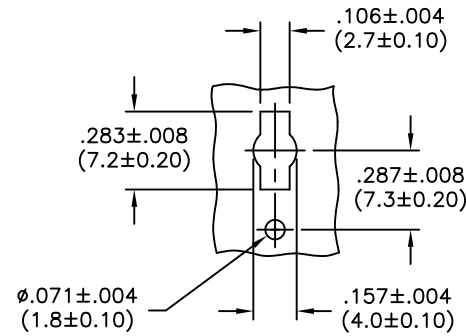


PART NO.	DIM. "A"	DIM. "B"	DIM. "C"	DIM. "D"
WSLT-9-01A-01	.19 (4.8)	.42 (10.7)	.40 (10.2)	.66 (16.8)
WSLT-9-01-2-01	.36 (9.1)		.57 (14.4)	
WSLT-9-02-1-01	.14 (3.6)	.53 (13.5)	.36 (9.1)	.77 (19.6)
WSLT-9-02A-1-01	.39 (10.0)	.64 (16.3)	.60 (15.2)	.88 (22.4)
WSLT-9-03-2-01	.56 (14.1)		.76 (19.2)	
WSLT-9-03-3-01	.85 (21.7)	.71 (18.0)	1.06 (26.8)	.95 (24.1)



PART TO FIT THE HOLE DETAIL
IN A .031-.063 (0.80-1.60)
PANEL THICK

MOUNTING HOLE DETAIL



NOTES:

1. MATERIAL: NYLON 6/6 (RMS-01), UL94 V-2
FLAME RETARDANT, NYLON (RMS-19), UL94 V-0,
AVAILABLE BY SPECIAL ORDER ONLY.
2. COLOR: NATURAL.
3. ALL DIMENSIONS ARE REFERENCE.

TITLE: WIRE SADDLE, LOCKING TOP (QUARTER-TURN BASE)					DWG IN IN (MM)	
TOLERANCES UNLESS NOTED .XX=±.010 .XXX=±.005 FRAC=±1/64 ANG=±1°	FILE # WSLT-9	DWN: SM	APP:	FINAL		
	MAT'L: SEE NOTES	DT: 03/05/02	DT:	PART #		
	RE: RICHCO, INC.	RICHCO INC. PO BOX 804238, CHICAGO, 60680 (773) 539-4060		SEE TABLE		PRINT TYPE CA

REV	DESCRIPTION	ENGR	DATE
C	SEE CO #200002 FOR CHANGES	SK	09.04.07
B	SEE ECN #898 FOR CHANGES	SM	12.17.04
A	REDRAWN FROM RICHCO UK PRINT (REV."A")	SM	03.05.02