



Chipsmall Limited consists of a professional team with an average of over 10 year of expertise in the distribution of electronic components. Based in Hongkong, we have already established firm and mutual-benefit business relationships with customers from,Europe,America and south Asia,supplying obsolete and hard-to-find components to meet their specific needs.

With the principle of “Quality Parts,Customers Priority,Honest Operation,and Considerate Service”,our business mainly focus on the distribution of electronic components. Line cards we deal with include Microchip,ALPS,ROHM,Xilinx,Pulse,ON,Everlight and Freescale. Main products comprise IC,Modules,Potentiometer,IC Socket,Relay,Connector.Our parts cover such applications as commercial,industrial, and automotives areas.

We are looking forward to setting up business relationship with you and hope to provide you with the best service and solution. Let us make a better world for our industry!



Contact us

Tel: +86-755-8981 8866 Fax: +86-755-8427 6832

Email & Skype: info@chipsmall.com Web: www.chipsmall.com

Address: A1208, Overseas Decoration Building, #122 Zhenhua RD., Futian, Shenzhen, China



PART NO.	DIM "A"	DIM "B"	DIM "C"	DIM "D"	DIM "E"	DIM "F"	MOUNTING	FIGURE NO.
WSLTB-01A-19A	.19 [4.8]	.42 [10.7]	.41 [10.4]	.66 [16.8]	.63 [16.0]	.50 [12.7]	ACRYLIC ADHESIVE	1
WSLTB-01A-19	.19 [4.8]	.42 [10.7]	.38 [9.6]	.66 [16.8]	.63 [16.0]		SRX-3XXX RIVET	
WSLTB-02A-19A	.39 [10.0]	.64 [16.3]	.61 [15.5]	.88 [22.4]	.85 [21.5]		ACRYLIC ADHESIVE	
WSLTB-02A-19	.39 [10.0]	.64 [16.3]	.58 [14.7]	.88 [22.4]	.85 [21.5]		SRX-3XXX RIVET	
WSLTB-03A-19A	.50 [12.7]	.43 [11]	.66 [16.8]	.69 [17.5]	.75 [19]	.47 [12]	ACRYLIC ADHESIVE	2

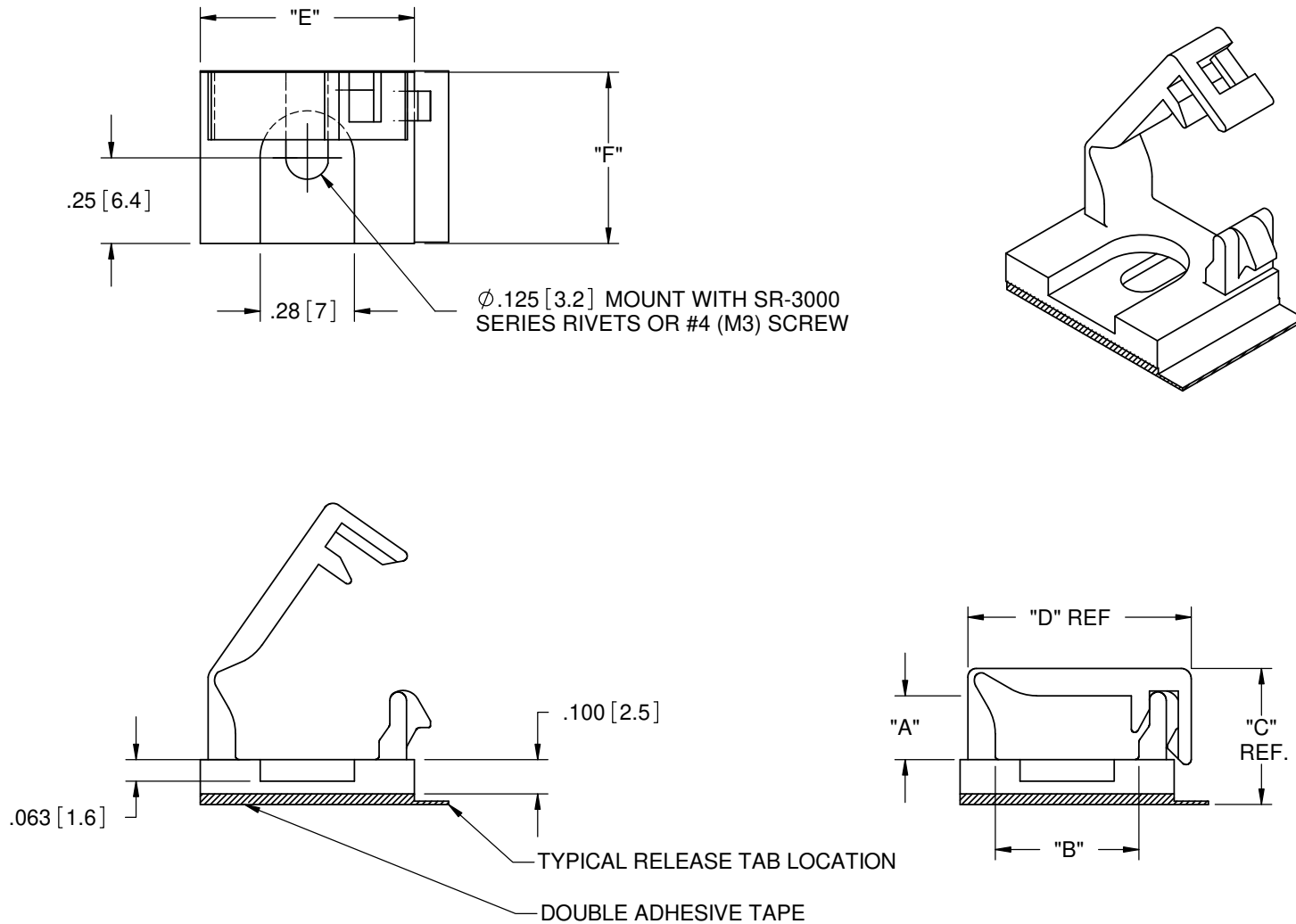


FIGURE 1.

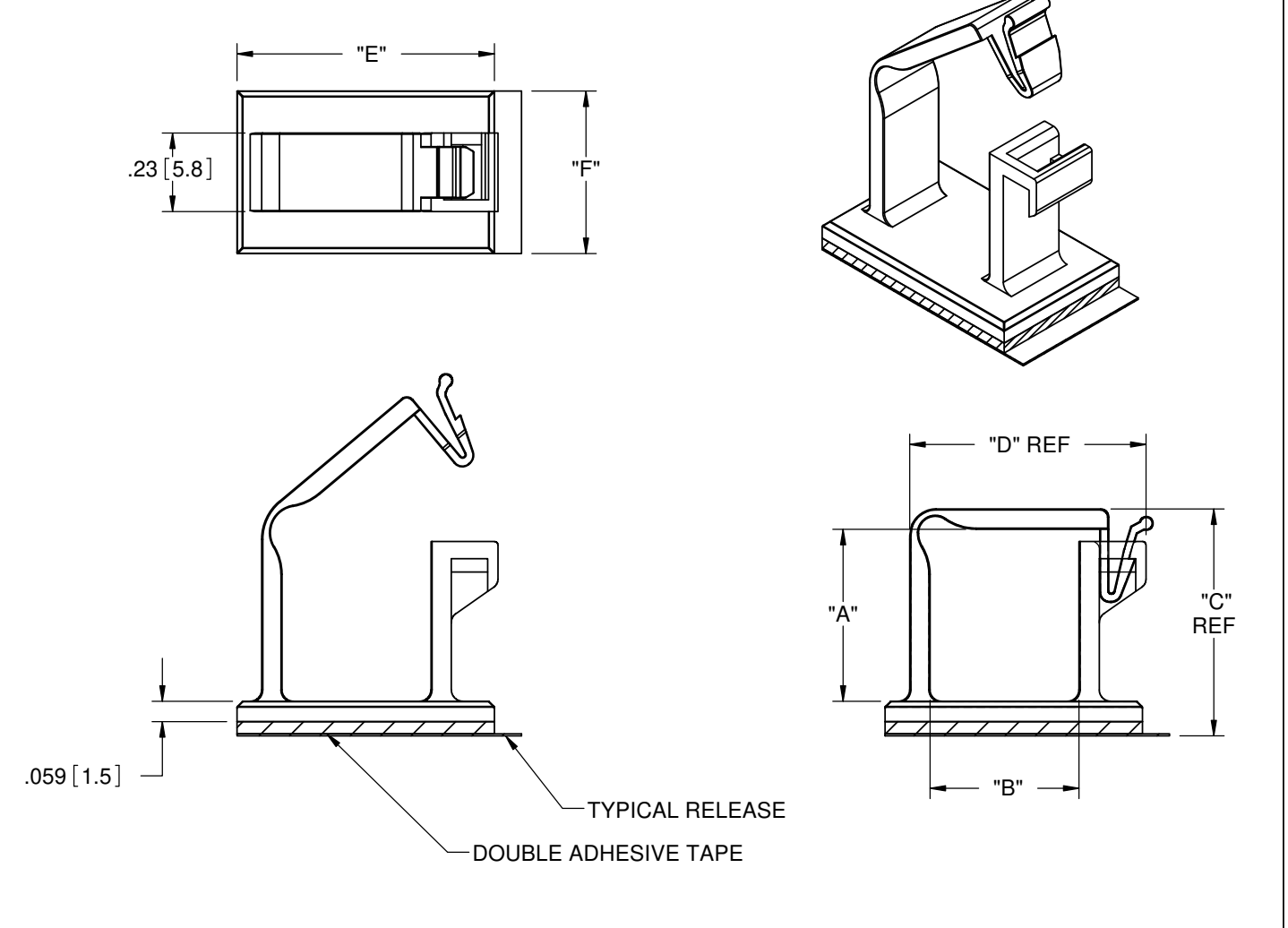


FIGURE 2.

- NOTES:
- MATERIAL: NYLON 6/6 UL94 V-0 (RMS-19).
- NYLON 6/6 UL94 V-2 (RMS-01) BY SPECIAL ORDER.
 - COLOR: NATURAL
- COLOR BLACK AVAILABLE BY SPECIAL ORDER. TO ORDER ADD "BK" TO THE END OF PART NO.
 - ADHESIVE: 1/32 ACRYLIC ADHESIVE (RMS-15).
 - TYPICAL OVERHANG OF TAPE FROM EDGE OF BASE TO BE .079 [2] MAX.
 - ALTERNATE UNITS FOR REFERENCE ONLY.

REV.	DESCRIPTION	ENGR.	DATE
E	SEE CO 200773 FOR CHANGES	SK	04.30.12
D	ADDED WSLTB-03A-19A-RT PART, CO 200584	SK	09/16/10
C	DRR CO 200270 FOR CHANGES	SK	10/29/08
B	SEE CO 200096 FOR CHANGES	SK	01/02/08
A	RELEASED FOR PRODUCTION	SM	05/21/03

TITLE: WIRE SADDLE LOCKING TOP ON BASE				UNITS IN [mm]		FINAL	
CREATED USING SOLIDWORKS	FILE #: WSLTB	DWN: DLC	APP: DLC	PART #			
TOLERANCES UNLESS NOTED .XX=±.010 .XXX=±.005 FRAC.=±1/64 ANG.=±1°	SHEET: 1 OF 1 SHEET SIZE: B	DT: 3/20/03	CHKD: DJZ	SEE CHART		PRINT TYPE CA	
RE: RICHCO-INC	RICHCO, INC. WWW.RICHCO-INC.COM						