



Chipsmall Limited consists of a professional team with an average of over 10 year of expertise in the distribution of electronic components. Based in Hongkong, we have already established firm and mutual-benefit business relationships with customers from,Europe,America and south Asia,supplying obsolete and hard-to-find components to meet their specific needs.

With the principle of “Quality Parts,Customers Priority,Honest Operation,and Considerate Service”,our business mainly focus on the distribution of electronic components. Line cards we deal with include Microchip,ALPS,ROHM,Xilinx,Pulse,ON,Everlight and Freescale. Main products comprise IC,Modules,Potentiometer,IC Socket,Relay,Connector.Our parts cover such applications as commercial,industrial, and automotives areas.

We are looking forward to setting up business relationship with you and hope to provide you with the best service and solution. Let us make a better world for our industry!



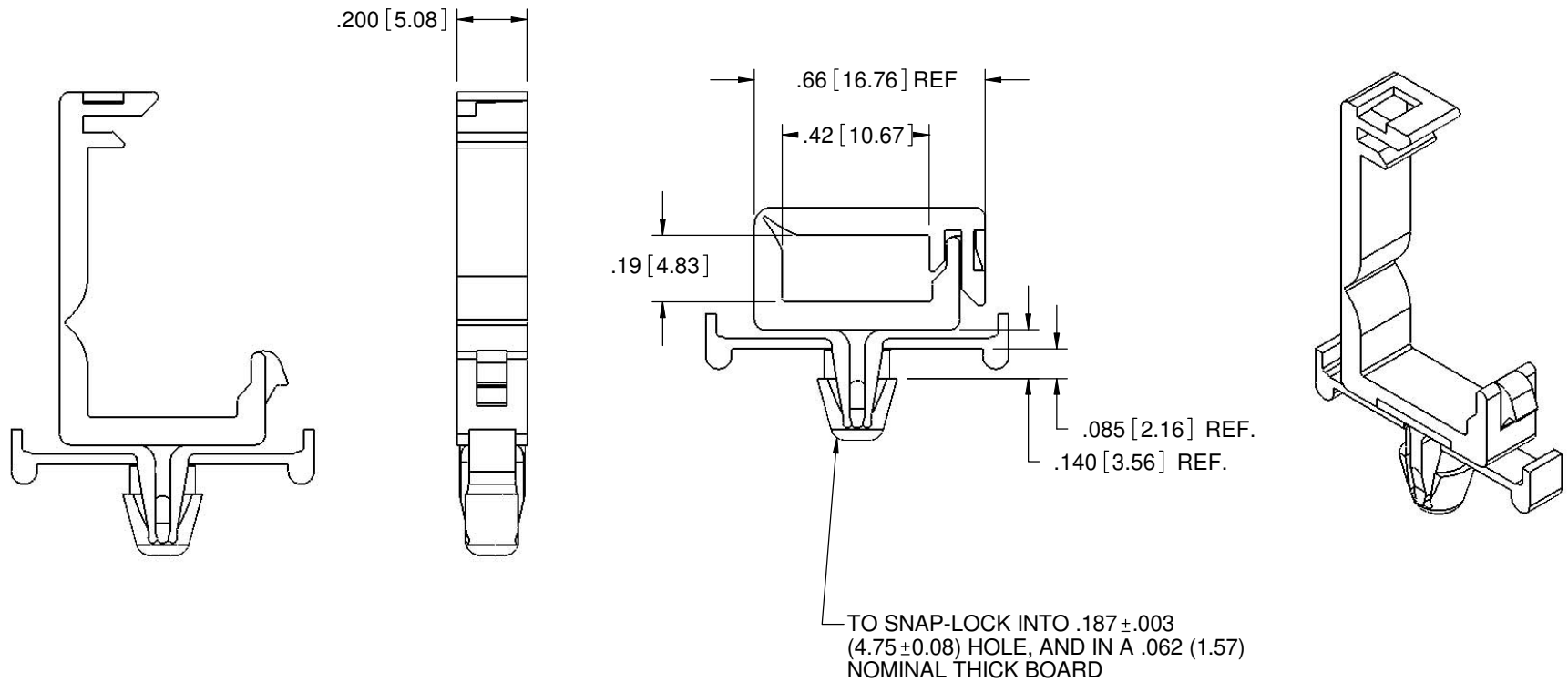
Contact us

Tel: +86-755-8981 8866 Fax: +86-755-8427 6832

Email & Skype: info@chipsmall.com Web: www.chipsmall.com

Address: A1208, Overseas Decoration Building, #122 Zhenhua RD., Futian, Shenzhen, China





- NOTES:
 1. MATERIAL: NYLON 6/6 UL94 V-2 (RMS-01)
 FLAME RETARDANT NYLON (RMS-19) AVAILABLE
 BY SPECIAL ORDER ONLY
 2. COLOR: NATURAL

			TITLE: RELEASABLE WSLT							
			CREATED USING SOLIDWORKS	FILE #: WSLTRA	DWN: S.J.	APP: SJ	FINAL			
C	SEE CO 200270 FOR CHANGES	SK	10/29/08	TOLERANCES UNLESS NOTED	SHEET: 1 OF 1	SHEET SIZE: A	DT: 1.30.04	CHKD: DJZ	PART #	PRINT TYPE
B	SEE CO 200267 FOR CHANGES	SK	10/22/08	.XX=±.010	RE: RICHCO		RICHCO, INC.		WSLTRA-1-01	CA
A	RELEASED FOR PRODUCTION	SM	07/13/04	.XXX=±.005	--		ENG@RICHCO-INC.COM			
REV.	DESCRIPTION	ENGR.	DATE	FRAC.=±1/64			(773) 539-4060			
				ANG.=±1°						