



Chipsmall Limited consists of a professional team with an average of over 10 year of expertise in the distribution of electronic components. Based in Hongkong, we have already established firm and mutual-benefit business relationships with customers from,Europe,America and south Asia,supplying obsolete and hard-to-find components to meet their specific needs.

With the principle of “Quality Parts,Customers Priority,Honest Operation,and Considerate Service”,our business mainly focus on the distribution of electronic components. Line cards we deal with include Microchip,ALPS,ROHM,Xilinx,Pulse,ON,Everlight and Freescale. Main products comprise IC,Modules,Potentiometer,IC Socket,Relay,Connector.Our parts cover such applications as commercial,industrial, and automotives areas.

We are looking forward to setting up business relationship with you and hope to provide you with the best service and solution. Let us make a better world for our industry!



Contact us

Tel: +86-755-8981 8866 Fax: +86-755-8427 6832

Email & Skype: info@chipsmall.com Web: www.chipsmall.com

Address: A1208, Overseas Decoration Building, #122 Zhenhua RD., Futian, Shenzhen, China





PRODUCT SPECIFICATION

Attn: _____

SPEC. No: _____

DATE: Dec.17.2012

CUSTOMER PRODUCT NAME:

TDK PRODUCT NAME:
WT-1005660-12K2-A6-G

APPROVED BY:

CUSTOMER COMMENT:

REMARK:
Please sign back specification after customer conformation until 2weeks.
If customer can't sign back specification, customer should be approved TDK specification.

TDK-EPC Corporation

Head Office Address:

1-13-1, Nihonbashi, Chuo-ku, Tokyo
103-0027 , Japan

SALES

| MANAGER | SALES |
|---------|-------|
| | |

ENGINEERING

| APPROVED | CHECKED | ISSUED |
|----------|---------|--------|
| | | |

Sales Office _____

Sales Tel. _____

| | |
|---------|--|
| PRODUCT | |
|---------|--|

REVISED HISTORY

CUSTOMER PRODUCT NAME: _____

TDK PRODUCT NAME: **WT-1005660-12K2-A6-G**

| NO. | REV. | REVISED CONTENT | REVISED REASON | DATE |
|-----|------|----------------------------|----------------|------------|
| 1 | 0 | To establish specification | | 2012.12.17 |
| | | | | |
| | | | | |
| | | | | |
| | | | | |
| | | | | |

PRODUCT SPECIFICATION

TDK PRODUCT NAME:

WT-1005660-12K2-A6-G

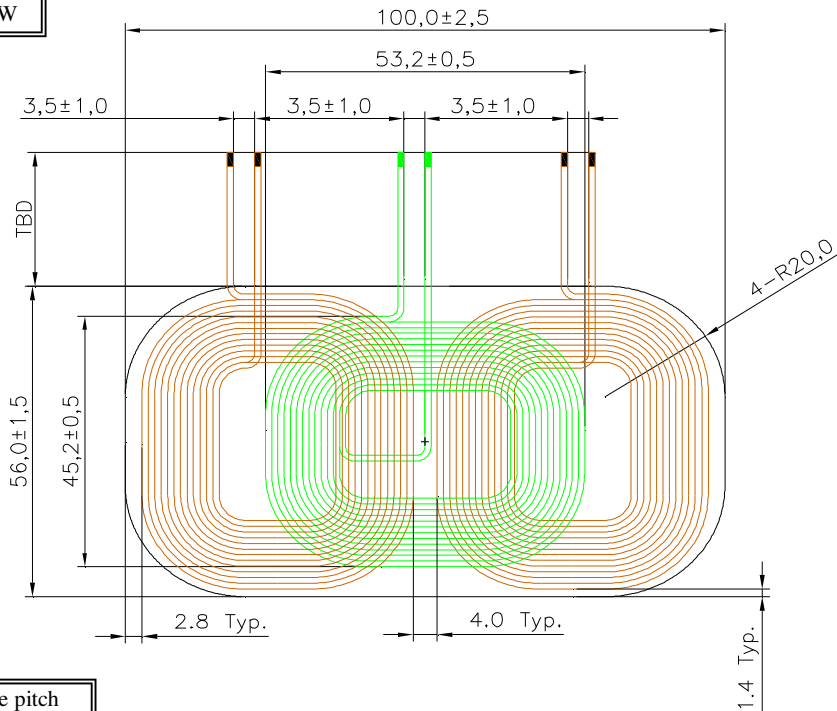
SPEC. NO.

CUSTOMER PRODUCT NAME:

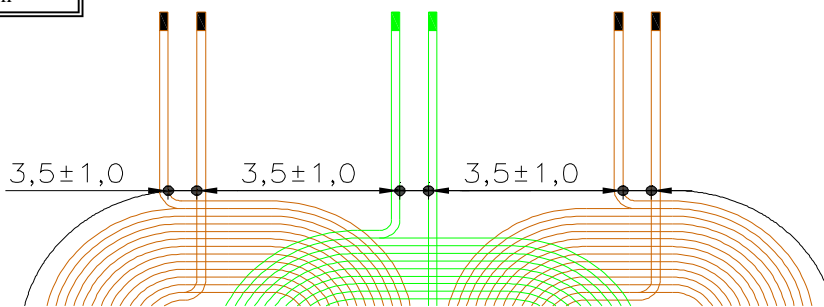
(1) Apperance & Dimensions (Unit: mm)

Weight: 46.7 g (Typ.)

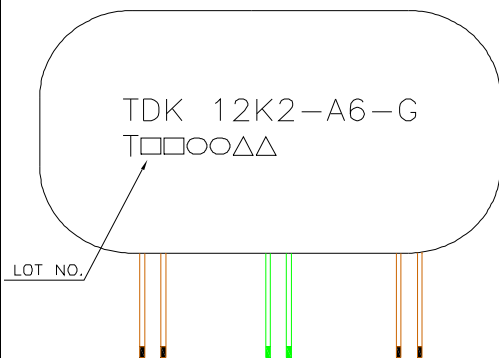
TOP VIEW



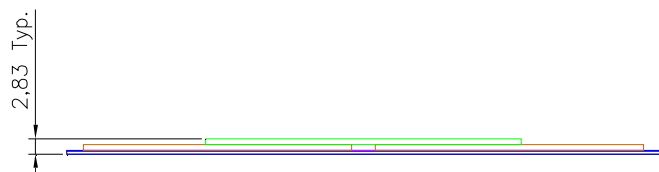
Lead wire pitch position



BOTTOM VIEW



SIDE VIEW



[Remarks]

1. Lead wire pitch is end of wire position, not output terminal.

2. Marking Content:

a. T: Manufacturing Centers

b. Lot No.: □□ ○○ △△

(1) (2) (3)

(1) Year: A.D. end number in double

(2) Month: Jan.(1), Feb.(02)...Dec.(12)

(3) Day: 01,02,03,...31.

PRODUCT SPECIFICATION

| | | |
|--|-----------|------------------------|
| TDK PRODUCT NAME: WT-1005660-12K2-A6-G | SPEC. NO. | CUSTOMER PRODUCT NAME: |
|--|-----------|------------------------|

(2) Air coil specification

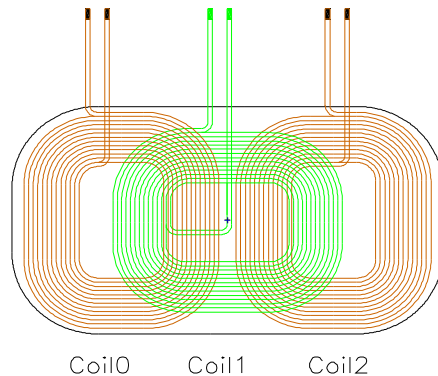
Wire Diameter: $\phi 0.08\text{mm} \times 105$ (Type2 Wire)

Coil Turns: 12TS / 1 layer

(3) Electrical Characteristics

| No. | Parameter | Specification | Test Instrument | |
|-----|---------------|---------------|---|-----------------------------------|
| 1 | Inductance | Coil 0 | HP 4284A DIGITAL LCR METER or EQUIVALENT (@100kHz 1.0 Vrms) | |
| | | Coil 1 | | 12.5 $\mu\text{H} \pm 10\%$ |
| | | Coil 2 | | 11.5 $\mu\text{H} \pm 10\%$ |
| 2 | Q Value | Coil 0 | HP 4284A DIGITAL LCR METER or EQUIVALENT (@100kHz 1.0 Vrms) | |
| | | Coil 1 | | 70 (Min.) |
| | | Coil 2 | | |
| 3 | DC Resistance | Coil 0 | CHEN HWA 502A OHM METER or EQUIVALENT | |
| | | Coil 1 | | 0.08 Ω (Max.) (At 25°C) |
| | | Coil 2 | | |

* Remark:



(4) Temperature Characteristics

| No. | Parameter | Specification |
|-----|-----------------------|---------------|
| 1 | Operating Temperature | -30~70°C |
| 2 | Storage Temperature | -40~85°C |

(5) Application

1. The product fit in with RoHS rule.
2. The product fit in with Halogen-Free.
3. Reflow and dip-flow soldering can not used for this product.

PRODUCT SPECIFICATION

| | | |
|--|-----------|------------------------|
| TDK PRODUCT NAME: WT-1005660-12K2-A6-G | SPEC. NO. | CUSTOMER PRODUCT NAME: |
|--|-----------|------------------------|

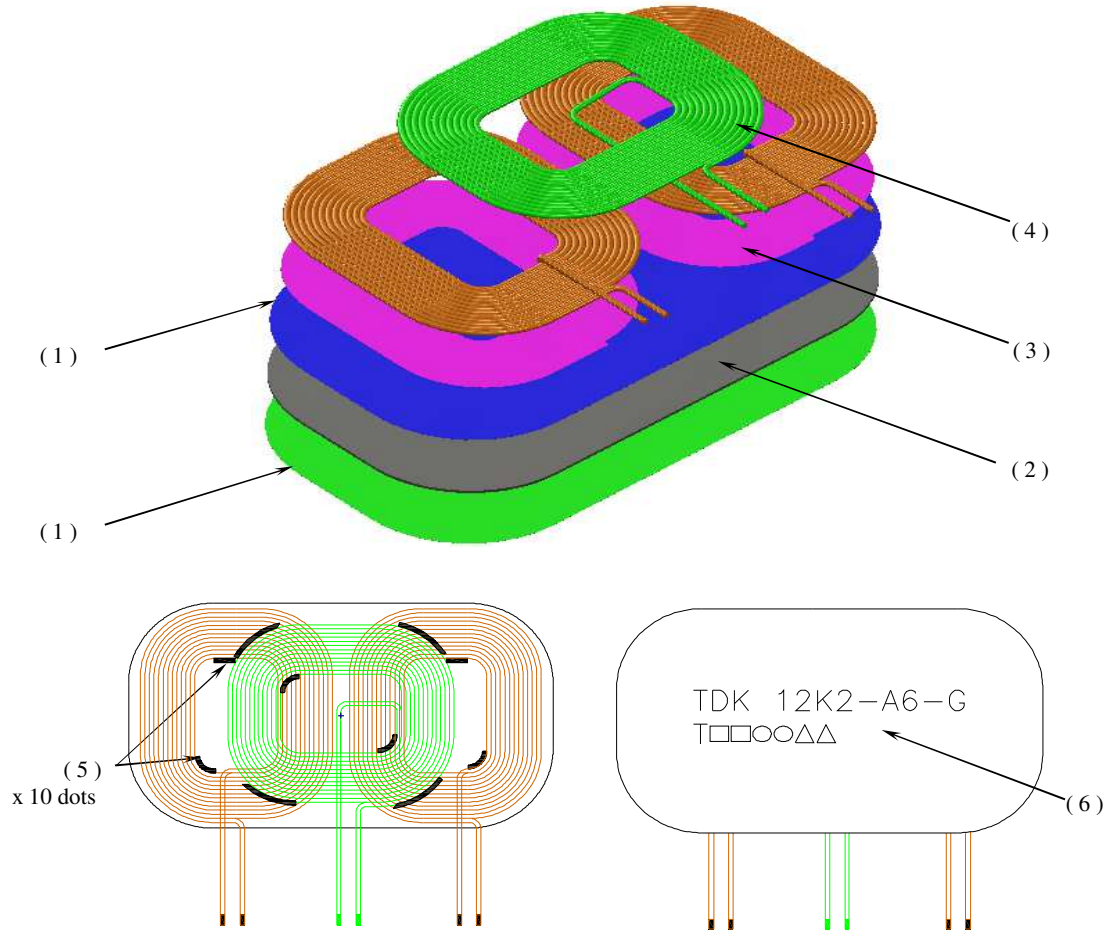
(6) Reliability Conditions

| No. | Parameter | Conditions | |
|-----|----------------------------------|--|--|
| 1 | Low Temperature (Storage) | (1) Temperature : $-40\pm 2^{\circ}\text{C}$ (2) Time : 240Hrs | |
| 2 | High Temperature (Storage) | (1) Temperature : $+85\pm 2^{\circ}\text{C}$ (2) Time : 240Hrs | |
| 3 | Thermal Shock | (1) Temperature : $-40\pm 5^{\circ}\text{C} / 30\text{min} \sim +85\pm 5^{\circ}\text{C} / 30\text{min}$ (2) Ambient Time : 5min (3) Times : 100cycles | |
| 4 | Vibration | Unpacked: (1) frequency: 10~500Hz sweep 1 octave wave / 1 min (2) Amplitude: 1.5mm (p-p) or 10G (3) Direction: X.Y.Z. direction (4) Time: X.Y.Z for 2 hours each. | |
| 5 | Temperature / Humidity (Storage) | (1) Temperature : $+60\pm 2^{\circ}\text{C}$ (2) Humidity: 90% RH. (3) Time: 240Hrs | |
| 6 | Temperature / Humidity (OP) | (1) Temperature : $+60\pm 2^{\circ}\text{C}$ (2) Humidity: 90% RH. (3) Time: 240Hrs (4) Current: DC 1.0A (5) Frequency: 100kHz | |
| 7 | Package Drop | (1) Drop the sample package in a carton box. (2) Height : 100 cm (3) Direction : 1corner, 3 edges, 6 faces (4) Drop time : 16 times | |
| 8 | ESD(HBM) | (1) Test Voltage: 1000V (2) Ambient: $25\pm 5^{\circ}\text{C}$ (3) Time: Negative / Positive each 1 time (4) Resistance: 1500 Ω (5) Capacitance: 100pF | |
| 9 | ESD(MM) | (1) Test Voltage: 100V (2) Ambient: $25\pm 5^{\circ}\text{C}$ (3) Time: Negative / Positive each 1 time (4) Capacitance: 200pF | |

PRODUCT SPECIFICATION

| | | |
|--|-----------|------------------------|
| TDK PRODUCT NAME: WT-1005660-12K2-A6-G | SPEC. NO. | CUSTOMER PRODUCT NAME: |
|--|-----------|------------------------|

(7) Construction



(8) Material List

| No. | Material Name |
|-----|---------------|
| 1 | PET Tape |
| 2 | Ferrite Sheet |
| 3 | Adhesive Tape |
| 4 | Air Coil |
| 5 | Glue |
| 6 | Ink |

PRODUCT SPECIFICATION

TDK PRODUCT NAME:

WT-1005660-12K2-A6-G

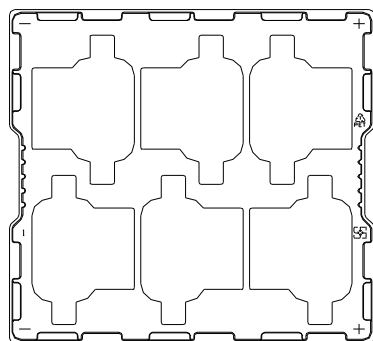
SPEC. NO.

CUSTOMER PRODUCT NAME:

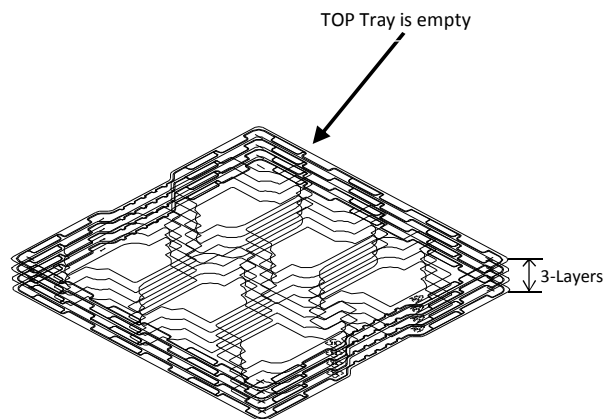
(9) Packing

1. To stack the the Trays onto 4 Layers:

- PS tray dimension: 326*329*11.0mm (REF.)
- 6 Pcs / per PS tray (REF.)



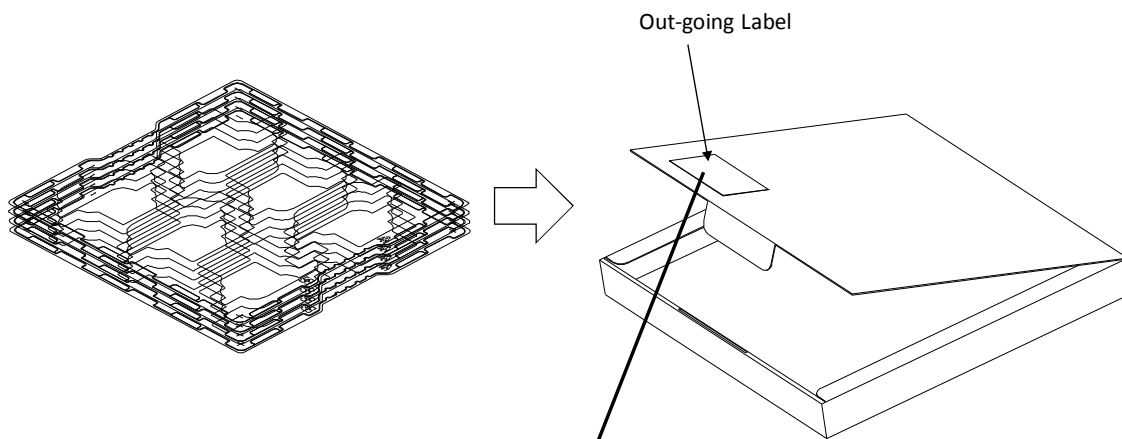
Total : 2x3=6pcs



Total : 6x2=12pcs

2. To put 2 Trays of products into the small Carton and affixing the out-going label on the outside .

- Small carton dimension: 331*337*33mm (REF.)
- 3 PS Trays / per small carton (PS tray of the top side is empty in the small carton)



| | | | |
|------------------------------------|--|------------------------|---------------|
| CUST PROD ID(P): 123456789. | | Customer | SAMPLE |
| QTY(Q): 72 | | ROHS | |
| (6P):TXXDF12345TWN273711000 | | | |
| TDK ITEM(IP): WT-1005660-12K2-A6-G | | VDR(V):TDK | |
| LOT NO(IT): WL12K34567+M0001 | | DATE CODE(T): 1411 | 0001 |
| 2011/11/22 | | MADE IN TAIWAN | 12325A0435 |
| (ITEM: WT-1005660-12K2-A6-G) | | MXXDF12345 | TDK (S) |
| | | TDK TAIWAN CORPORATION | |

Out-going Label

PRODUCT SPECIFICATION

TDK PRODUCT NAME:

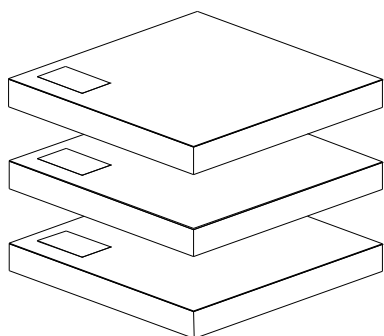
WT-1005660-12K2-A6-G

SPEC. NO.

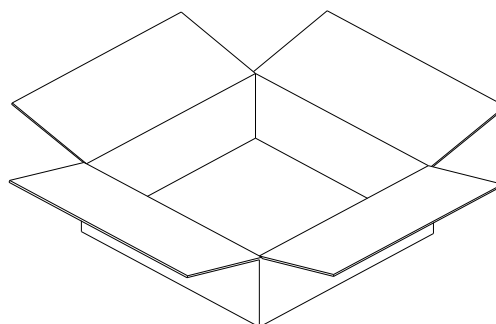
CUSTOMER PRODUCT NAME:

3. To put 3 small carton into the Carton .

- Outer carton dimension: 347*340*124mm (REF.)
- 3 small cartons / per outer carton
- Total quantity : 36 Pcs (REF.)



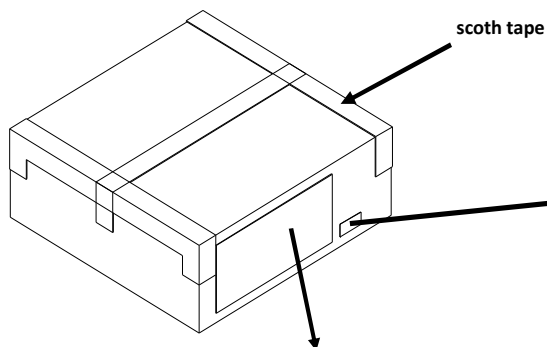
3 small cartons



Outer carton

4. Packing.

- To pack the carton by scotch tape and affix out-going label (outside) on it outside.
- The Inspection data in the box , there would be a signet mark on it outside.



INSPECTION DATA
ENCLOSED
檢驗紀錄表在內

signet mark of Inspection data

| | | | |
|--|--|--|----------------------------------|
| (3S) TTW-WL11K0600200101400000360 | | CUSTOMER: Customer | |
| (6S) C/NO:1 | | BOX COUNT | CUST. PART NO(P): 12A34567-89A |
| | | 001/009 | |
| SHIPPING MARK | | ROHS | TDK ITEM CODE(6P): TTXDF12345TWN |
| SAMPLE | | P/O NO.(K): TTTT-S123456789 | |
| | | | |
| | | LOT NO.(IT): WL12345678 | DATE: Nov.22.2011 |
| | | QTY(Q): 288 | |
| Customer Location | | TDK ITEM (IP): WT-1005660-12K2-A6-G | |
| | | | |
| | | (WT-1005660-12K2-A6-G) | |
| MADE IN TAIWAN WL12K34567 12345A6789 | | SUB P/O NO.(6K): 4500059424 | |
| | | | |
| C/NO:1 | | TDK SPEC. | |
| | | TDK TAIWAN CORPORATION YANGMEI, TAIWAN 9 | |
| WAREHOUSE (CT) | | TTXDF10105 | |
| NW 3.6 GW 4.0 | | | |

out-going label (outside)