



Chipsmall Limited consists of a professional team with an average of over 10 year of expertise in the distribution of electronic components. Based in Hongkong, we have already established firm and mutual-benefit business relationships with customers from,Europe,America and south Asia,supplying obsolete and hard-to-find components to meet their specific needs.

With the principle of “Quality Parts,Customers Priority,Honest Operation,and Considerate Service”,our business mainly focus on the distribution of electronic components. Line cards we deal with include Microchip,ALPS,ROHM,Xilinx,Pulse,ON,Everlight and Freescale. Main products comprise IC,Modules,Potentiometer,IC Socket,Relay,Connector.Our parts cover such applications as commercial,industrial, and automotives areas.

We are looking forward to setting up business relationship with you and hope to provide you with the best service and solution. Let us make a better world for our industry!



Contact us

Tel: +86-755-8981 8866 Fax: +86-755-8427 6832

Email & Skype: info@chipsmall.com Web: www.chipsmall.com

Address: A1208, Overseas Decoration Building, #122 Zhenhua RD., Futian, Shenzhen, China



Ordering Table — Washable Toggle Switches

Designed to be wave soldered along with other Printed Circuit Board Components and withstand associated cleaning processes.

HOW TO ORDER YOUR DESIGN (Bold Face Type indicates items normally in Distributor Stock)

Following the table from left to right, the designer is able to specify the options wanted. The options are described and illustrated on the following pages.

To determine a part number select the options desired and fill in the boxes in the selection guides illustrated below.

WashableToggle Switch Selection Guide

Toggle Series		Poles and Throw		Circuit				Lever Options		Lever Finish	Bushing Options		Terminal Type		Contact Material												
Type	Code	No.	Code	Keyway			Code	Type	Code	Finish	Code	Type	Code	Type	Code	Type	Code										
Toggle	WT	SPDT	1	ON	OFF	ON	21	.940 BAT.	L0	Bright Chrome	1	.250 Smooth	D1	Right Angle PC	A	Gold/Brass	B										
								DPDT	2	ON	NONE	ON	23	.740 BAT.	L1	Black ③	3	.280 Smooth	D9 ②	Vertical PC .150 Spacing	AV2	Gold/Silver	G				
														ON	NONE	ON*	26	.650 BAT.	L2	Black Nylon ④	4	.350 ⑤	Y ⑦	PC Terminals	C	Coin/Silver	Q
														ON*	NONE	ON*	27	Long Mod Cap	L3	Red Nylon ④	5	Threaded		PC & Support	V30	⑧	K
														ON*	OFF	ON*	27	Short Mod Cap	L4	White Nylon ④	6	.350 ⑤		.750 Wire Wrap	W	⑧	L
														ON	OFF	ON*	31	.510 BAT.	S	M				.964 Wire Wrap	W1	⑧	M
		ON	ON	ON	32 ①	.300 BAT.	M									.425 Wire Wrap	W3										
		ON	ON	ON*	33 ①						1.062 Wire Wrap	W4															
		ON*	ON	ON*	35 ①						Solder Lug	Z															
															Quick Connect	Z3											

*Momentary Contact

- ① 2 Pole Only.
- ② Subtract .030 from lever length when using this bushing.
- ③ Available on S and M lever options only.
- ④ Available only with L3 and L4 lever options only.

- ⑤ Subtract .100 from lever length when using these bushings.
- ⑥ Refer to page 59 for construction detail, wiring and electrical diagrams.
- ⑦ Not available on A, AV2, V30 terminal options.
- ⑧ Same as B, G and Q respectively except terminals brass with tin nickel alloy over nickel plate. Consult plant for availability.

EXAMPLES:

- WT123M1D9AB** = SPDT toggle switch with an ON-NONE-ON circuit, .270" long lever (see note 2 above) with a bright chrome finish, .280" smooth bushing right angle P.C. terminals with gold/brass contacts.
- WT232S1D1V30G** = DPDT toggle switch with an ON-ON-ON circuit, .510" long lever with a bright chrome finish, .250" smooth bushing, P.C. terminals with support bracket and gold/silver contacts.

SPECIFICATIONS:

Contact Ratings — Letter codes G and Q — 6 amp at 125 VAC, 3 amp @ 250 VAC (U.L. recognized, CSA certified) or 6 amp at 28 VDC resistive. Letter codes B and G — 0.5 volt amp (VA) maximum @ 28 V maximum (AC or DC).

Life Under Load — 60,000 make-and-break cycles — resistive load only.

Initial Contact Resistance — 10 milliohms maximum 3 VDC, 100 ma for both silver and gold plated contacts.

Insulation Resistance — 1,000 megohms, min.

Dielectric Strength — 1,000 volts rms at sea level.

Operating Temperature — -30 degrees C to 85 degrees C.

MATERIALS:

Base & Bushing — Thermoplastic high temperature (UL 94V-O).

Lever (toggle) — Brass, chrome plated.

Support brackets — Brass or steel tin plated.

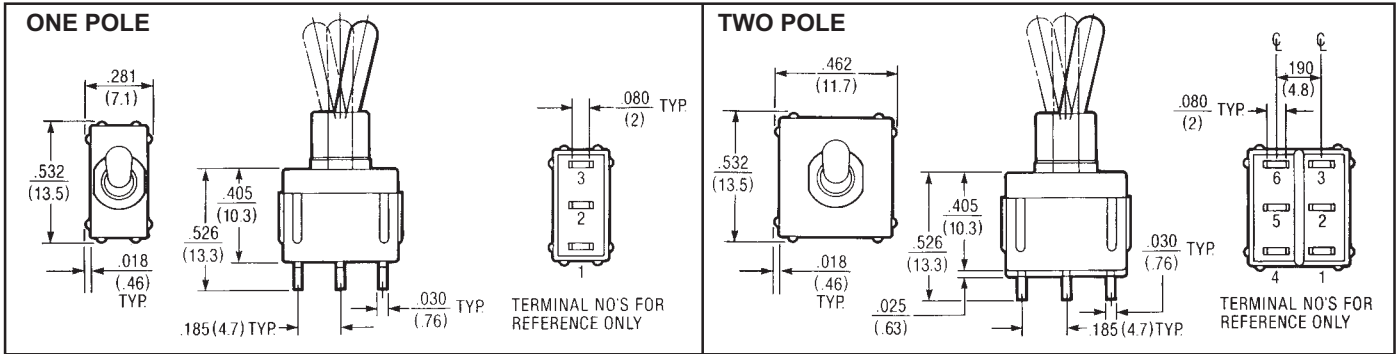
Switching Contacts and Rockers — Letter Code B — gold/nickel/brass
Letter Code G — gold/nickel/silver
Letter Code Q — Coin silver

Center Terminal
Letter Codes B and G — Gold flash/nickel/brass
Letter Code Q — Silver plated brass.

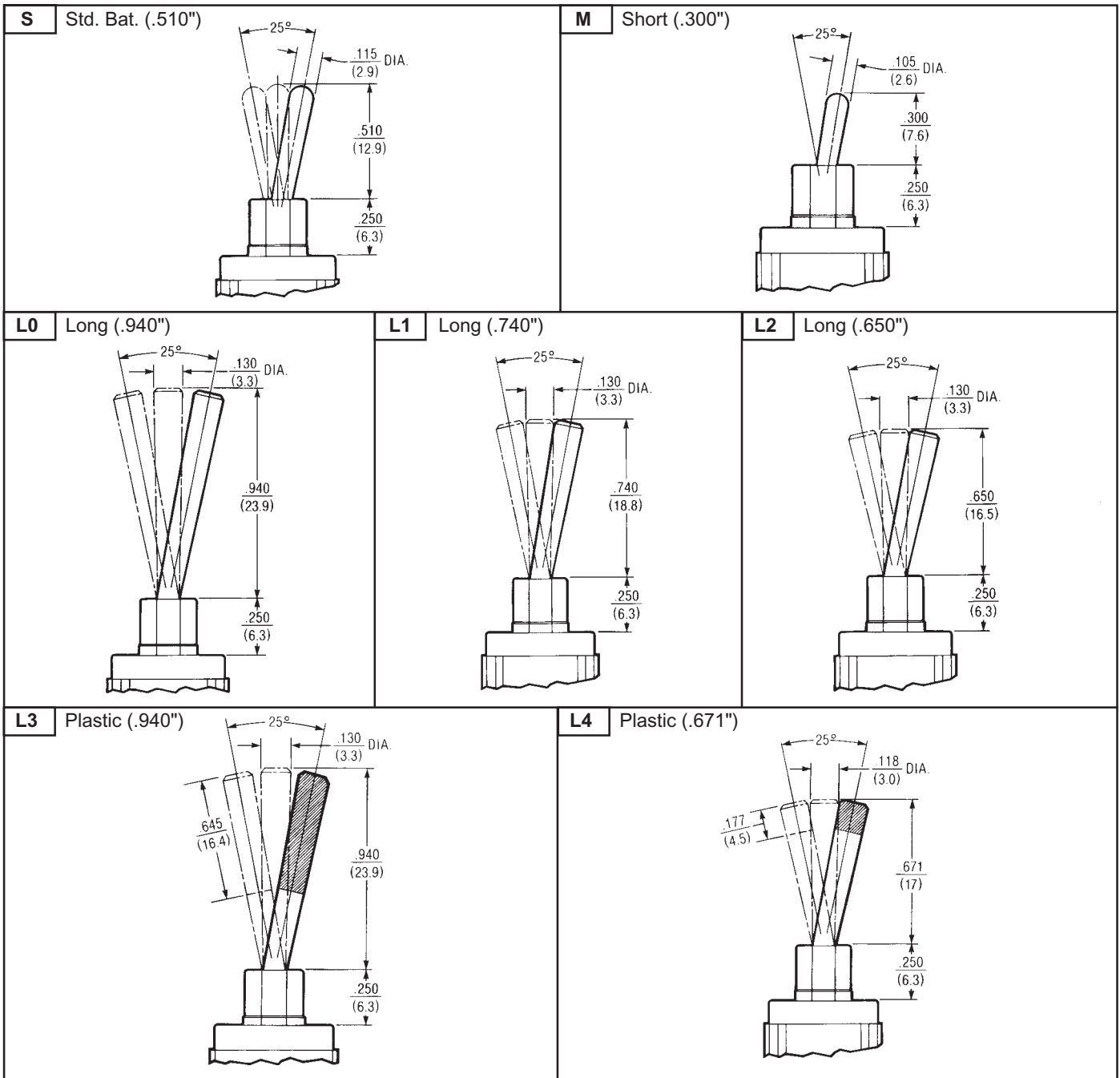
Hardware — See pages 55-57.

Washable Toggle Switches — Base Dimensions and Lever Options

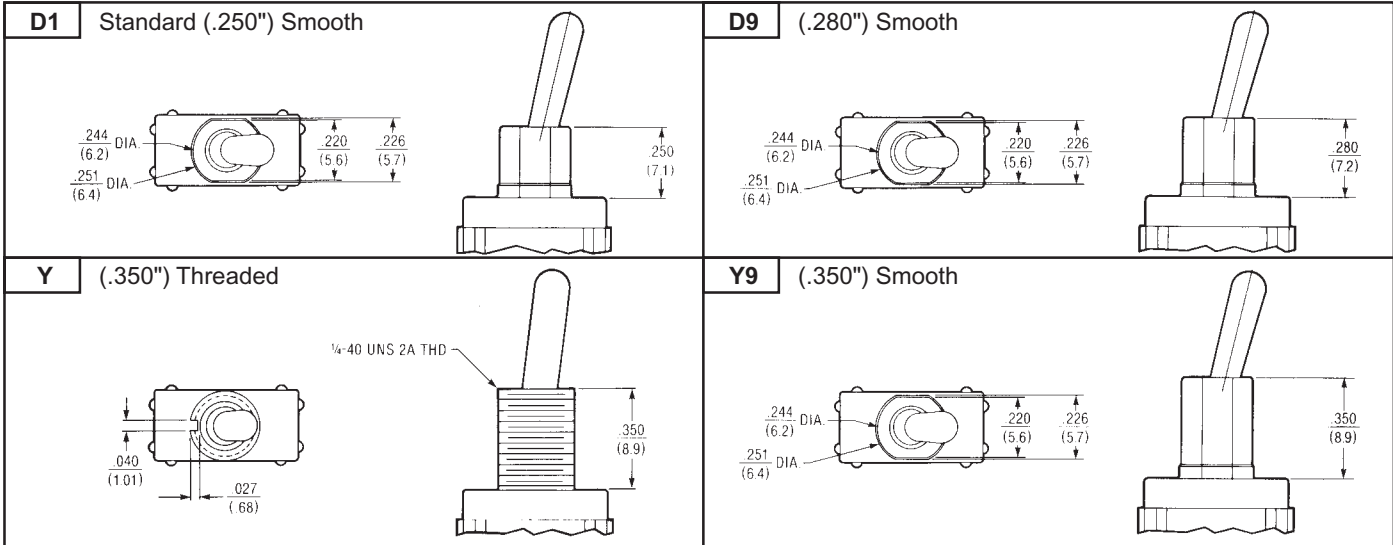
APPROXIMATE BASE DIMENSIONS



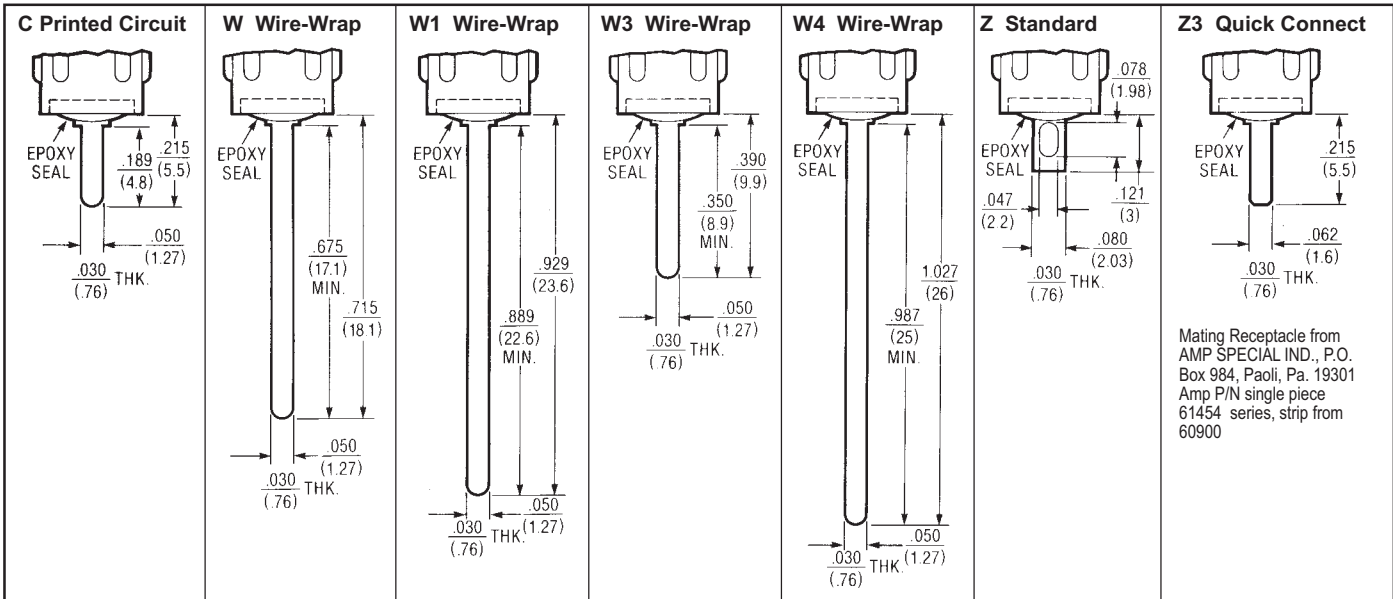
TOGGLE LEVER OPTIONS



BUSHING OPTIONS

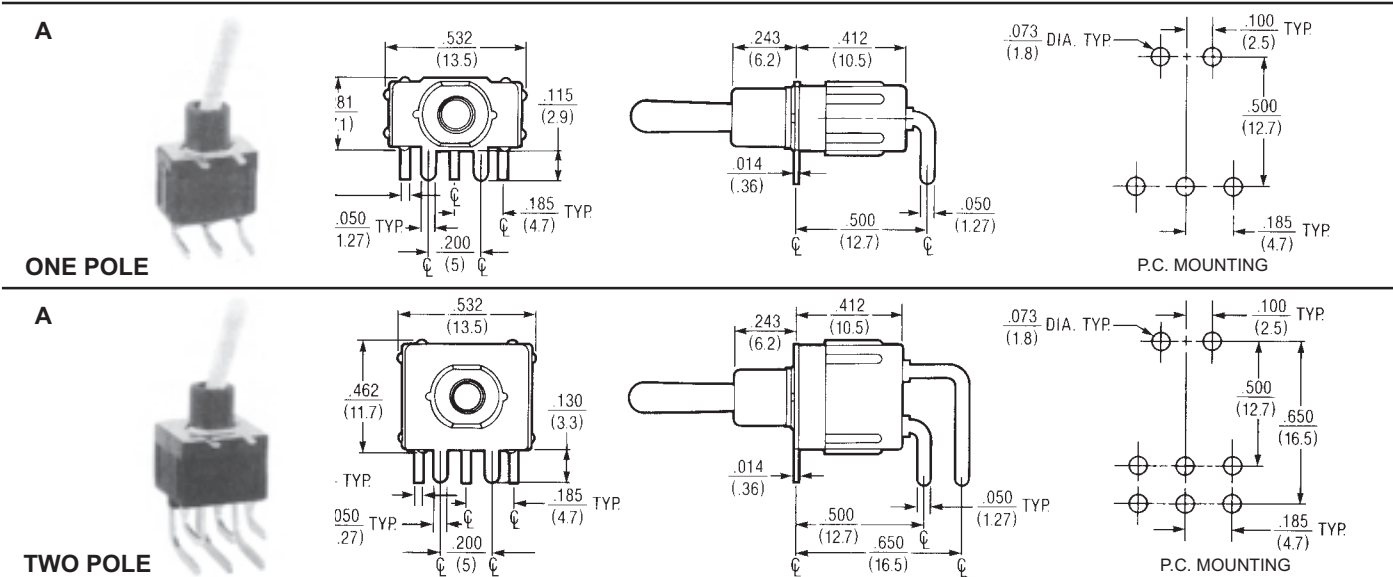


TERMINATION OPTIONS



NOTE: Wire-Wrap is a registered trademark of the Gardner-Denver Company.

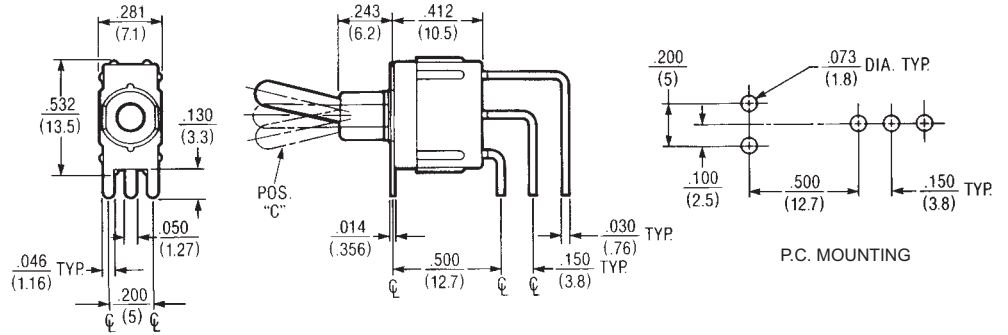
TERMINATION & MOUNTING OPTIONS



TERMINATION & MOUNTING OPTIONS — Contd.

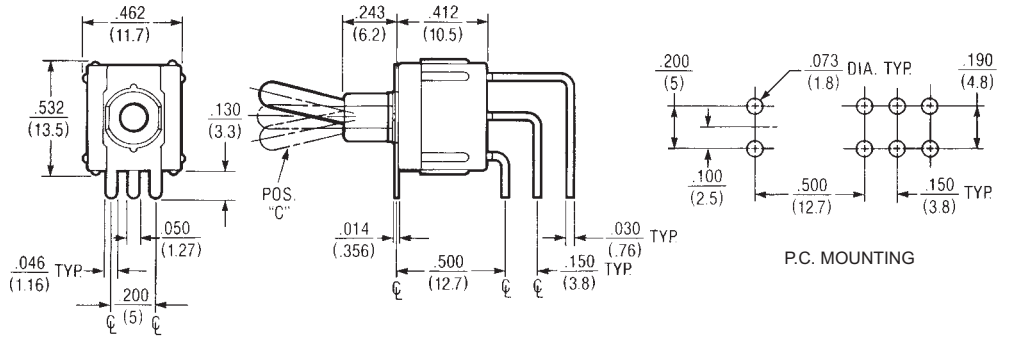
AV2

ONE POLE



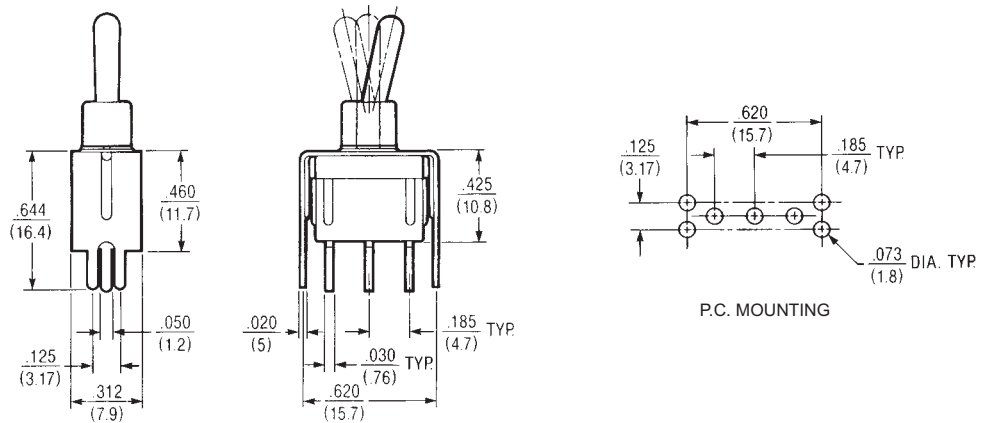
AV2

TWO POLE



V30

ONE POLE



V30

TWO POLE

