



Chipsmall Limited consists of a professional team with an average of over 10 year of expertise in the distribution of electronic components. Based in Hongkong, we have already established firm and mutual-benefit business relationships with customers from,Europe,America and south Asia,supplying obsolete and hard-to-find components to meet their specific needs.

With the principle of "Quality Parts,Customers Priority,Honest Operation,and Considerate Service",our business mainly focus on the distribution of electronic components. Line cards we deal with include Microchip,ALPS,ROHM,Xilinx,Pulse,ON,Everlight and Freescale. Main products comprise IC,Modules,Potentiometer,IC Socket,Relay,Connector.Our parts cover such applications as commercial,industrial, and automotives areas.

We are looking forward to setting up business relationship with you and hope to provide you with the best service and solution. Let us make a better world for our industry!



## Contact us

Tel: +86-755-8981 8866 Fax: +86-755-8427 6832

Email & Skype: info@chipsmall.com Web: www.chipsmall.com

Address: A1208, Overseas Decoration Building, #122 Zhenhua RD., Futian, Shenzhen, China





# Wireless Power Transfer

Tx (transmitting) coil units (WPC compliant)

# WT505090-10K2-A11-G

---

# Wireless Power Transfer

Product compatible with RoHS directive  
Halogen-free

Tx (transmitting) coil units (WPC compliant)

## Overview of WT505090-10K2-A11-G

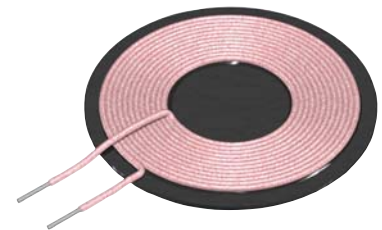
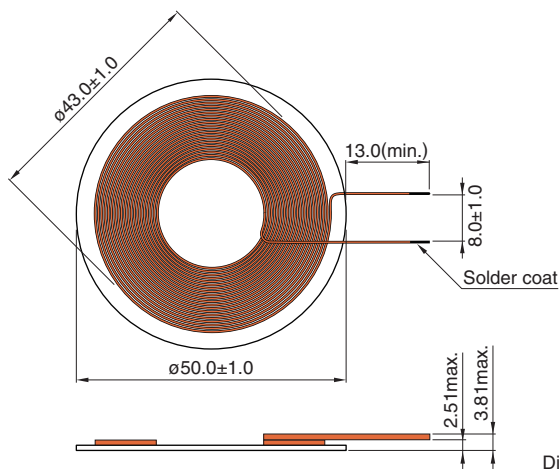
### FEATURES

- Tx coil units for WPC low-power (5W) specification.
- Got WPC approval for ferrite sheet.
- Thinner flexible ferrite sheet type is available for durable construction.
- Performance had been confirmed based on WPC equipments.

### APPLICATION

Various types of battery chargers (WPC compliant)

### SHAPE & DIMENSIONS



| Magnet (mm) | Sheet size (mm) | Coil turns     | Thickness of coil + sheet (mm)typ. | Thickness of incl. I/O (mm)typ. | Coil outer size (mm)typ. |
|-------------|-----------------|----------------|------------------------------------|---------------------------------|--------------------------|
| Nothing     | ø50             | 10ts x 1layers | 2.08                               | 3.13                            | ø43                      |

### ELECTRICAL CHARACTERISTICS

#### CHARACTERISTICS SPECIFICATION TABLES

| WPC compliant | Input voltage (V) | Inductance [100kHz, 1Vrms] (μH) | DC resistance [25°C] (Ω)max. | Ferrite type | Part No.            |
|---------------|-------------------|---------------------------------|------------------------------|--------------|---------------------|
| WPC A11       | 5 (A11)           | 6.3                             | 0.06                         | Flexible     | WT505090-10K2-A11-G |

### IC REFERENCE INFORMATION

| IC                 | Manufacturer material name | Web |
|--------------------|----------------------------|-----|
| Please contact us. |                            |     |

- RoHS Directive Compliant Product: See the following for more details. <https://product.tdk.com/info/en/environment/rohs/index.html>
- Halogen-free: Indicates that Cl content is less than 900ppm, Br content is less than 900ppm, and that the total Cl and Br content is less than 1500ppm.

⚠ Please be sure to request delivery specifications that provide further details on the features and specifications of the products for proper and safe use.  
Please note that the contents may change without any prior notice due to reasons such as upgrading.

## ⚠ Reminders

- Do not use or store in locations where there are conditions such as gas corrosion (salt, acid, alkali, etc.).
- Self heating (temperature increase) occurs when the power is turned ON, so the tolerance should be sufficient for the set thermal design.
- Fully caution, if metal piece contacted with top of coil surface then it could be danger of generated heat.
- Do not use for a purpose outside of the contents regulated in the delivery specifications.
- The products listed on this catalog are intended for use in general electronic equipment (AV equipment, telecommunications equipment, home appliances, amusement equipment, computer equipment, personal equipment, office equipment, measurement equipment, industrial robots) under a normal operation and use condition.

The products are not designed or warranted to meet the requirements of the applications listed below, whose performance and/or quality require a more stringent level of safety or reliability, or whose failure, malfunction or trouble could cause serious damage to society, person or property.

If you intend to use the products in the applications listed below or if you have special requirements exceeding the range or conditions set forth in the each catalog, please contact us.

- |   |   |
|---|---|
| <ul style="list-style-type: none"> <li>(1) Aerospace/aviation equipment</li> <li>(2) Transportation equipment (cars, electric trains, ships, etc.)</li> <li>(3) Medical equipment</li> <li>(4) Power-generation control equipment</li> <li>(5) Atomic energy-related equipment</li> <li>(6) Seabed equipment</li> <li>(7) Transportation control equipment</li> </ul> | <ul style="list-style-type: none"> <li>(8) Public information-processing equipment</li> <li>(9) Military equipment</li> <li>(10) Electric heating apparatus, burning equipment</li> <li>(11) Disaster prevention/crime prevention equipment</li> <li>(12) Safety equipment</li> <li>(13) Other applications that are not considered general-purpose applications</li> </ul> |
|---|---|

## ■ CONTACT WINDOWS FOR MORE INFORMATION

| Country | Person in charge  | Web                      |
|---------|-------------------|--------------------------|
| US      | Chris Burket      | chris.burket@us.tdk.com  |
| EU      | Andre Carranque   | Carranque@eu.tdk.com     |
| Japan   | Takeshi Ishibashi | tishiba@jp.tdk.com       |
| TTW     | ChienHung Lin     | ChienHung_Lin@tw.tdk.com |
| China   | ChienHung Lin     | ChienHung_Lin@tw.tdk.com |
| Korea   | Youngsoo m Kim    | youngsoo_kim@kr.tdk.com  |
| ASEAN   | ChienHung Lin     | ChienHung_Lin@tw.tdk.com |

⚠ Please be sure to request delivery specifications that provide further details on the features and specifications of the products for proper and safe use.  
Please note that the contents may change without any prior notice due to reasons such as upgrading.