



Chipsmall Limited consists of a professional team with an average of over 10 year of expertise in the distribution of electronic components. Based in Hongkong, we have already established firm and mutual-benefit business relationships with customers from,Europe,America and south Asia,supplying obsolete and hard-to-find components to meet their specific needs.

With the principle of “Quality Parts,Customers Priority,Honest Operation,and Considerate Service”,our business mainly focus on the distribution of electronic components. Line cards we deal with include Microchip,ALPS,ROHM,Xilinx,Pulse,ON,Everlight and Freescale. Main products comprise IC,Modules,Potentiometer,IC Socket,Relay,Connector.Our parts cover such applications as commercial,industrial, and automotives areas.

We are looking forward to setting up business relationship with you and hope to provide you with the best service and solution. Let us make a better world for our industry!



Contact us

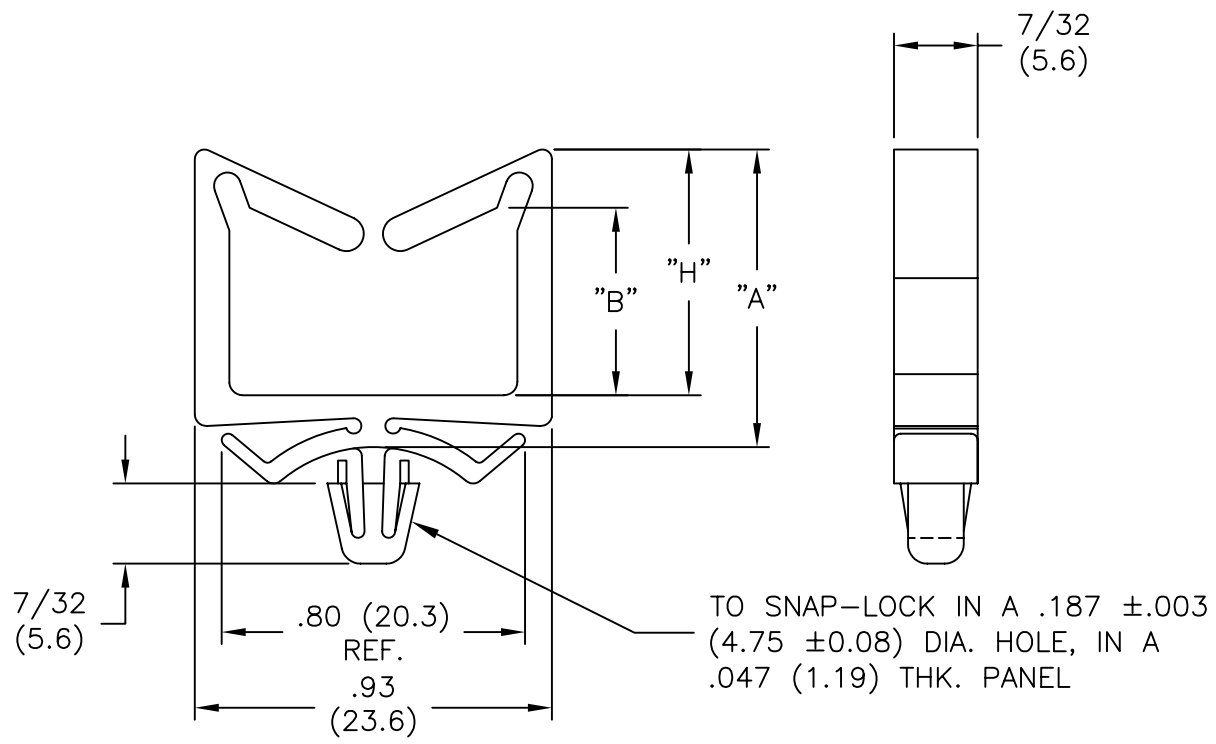
Tel: +86-755-8981 8866 Fax: +86-755-8427 6832

Email & Skype: info@chipsmall.com Web: www.chipsmall.com

Address: A1208, Overseas Decoration Building, #122 Zhenhua RD., Futian, Shenzhen, China



PART NO. NYLON	PART NO. FLAME RETARDANT NYLON	"A" REF	"B" REF	"H" REF
WWS-A-2-01	WWS-A-2-19	.77 (19.6)	.50 (12.7)	.64 (16.3)
WWS-A-3-01	WWS-A-3-19	1.12 (28.5)	.85 (21.6)	.99 (25.2)



NOTES:

1. MAT'L: NYLON 66 (RMS-01), NAT.
 AVAILABLE IN FLAME RETARDANT NYLON
 (RMS-19) BY SPECIAL ORDER

D SEE CO 200043 FOR CHANGES SK 10.01.07		TOLERANCES UNLESS NOTED .XX=±.010 .XXX=±.005 FRAC=±1/64 ANG=±1°	FILE # WWS	DWN: P.B.	APP:	DWG IN IN (MM)	FINAL	PART # SEE TABLE	PRINT TYPE CA
C SEE ECN #1022 SK 06.29.05			MAT'L: SEE NOTES	DT: 08-18-94	DT:				
B CHANGED FILE NO. AND TITLE BLOCK SM 05.30.01			RE: RICHCO, INC.	RICHCO INC. PO BOX 804238, CHICAGO, 60680 (773) 539-4060					
A ADDED HOLE DIA. & PANEL THICKNESS DD 5-8-96									
REV DESCRIPTION ENGR DATE									

TITLE: WIDE WIRE SADDLE

