



Chipsmall Limited consists of a professional team with an average of over 10 year of expertise in the distribution of electronic components. Based in Hongkong, we have already established firm and mutual-benefit business relationships with customers from,Europe,America and south Asia,supplying obsolete and hard-to-find components to meet their specific needs.

With the principle of "Quality Parts,Customers Priority,Honest Operation,and Considerate Service",our business mainly focus on the distribution of electronic components. Line cards we deal with include Microchip,ALPS,ROHM,Xilinx,Pulse,ON,Everlight and Freescale. Main products comprise IC,Modules,Potentiometer,IC Socket,Relay,Connector.Our parts cover such applications as commercial,industrial, and automotives areas.

We are looking forward to setting up business relationship with you and hope to provide you with the best service and solution. Let us make a better world for our industry!



## Contact us

Tel: +86-755-8981 8866 Fax: +86-755-8427 6832

Email & Skype: info@chipsmall.com Web: www.chipsmall.com

Address: A1208, Overseas Decoration Building, #122 Zhenhua RD., Futian, Shenzhen, China



A

B

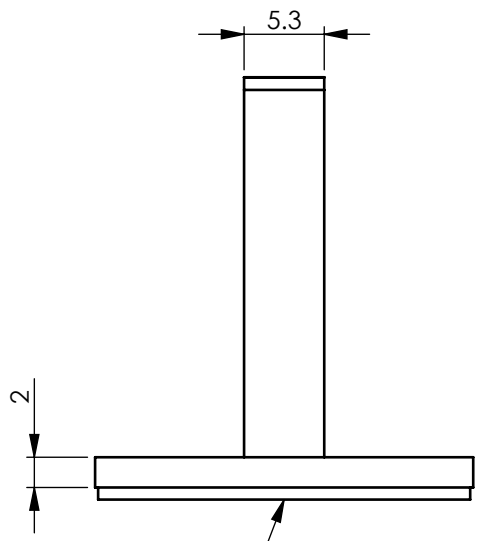
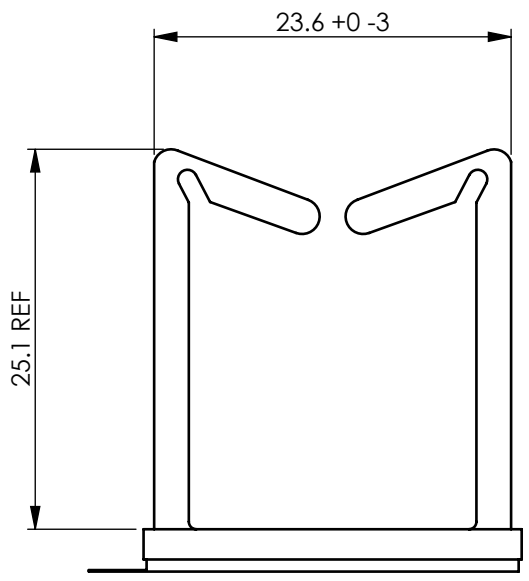
C

D

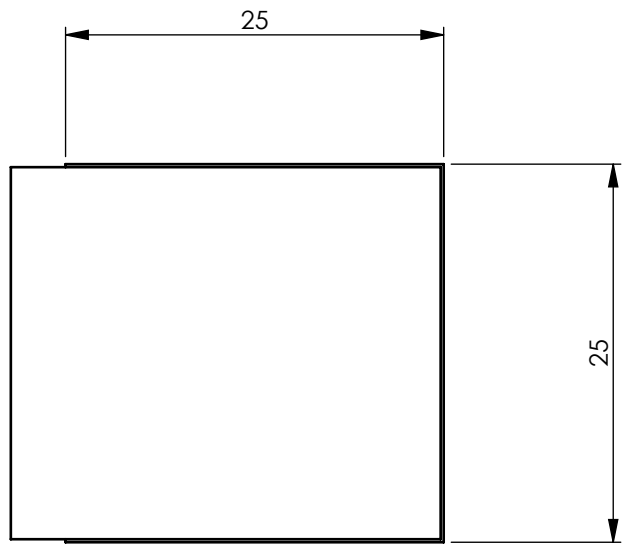
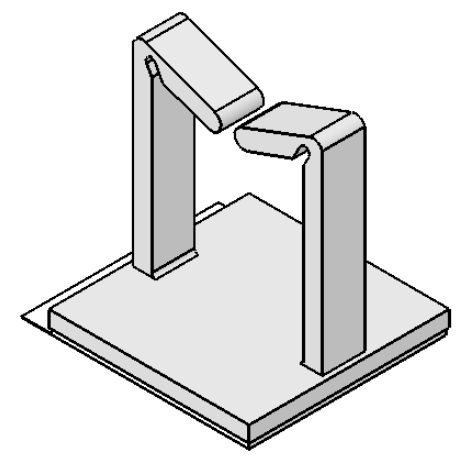
E

F

REV.	MODIFICATION.	DATE	DRN
01	PRODUCTION RELEASE	09/03/06	TC
02	ECN2006-065	27/03/06	OW
03	ECN2006-113	28/06/06	TC
04	ECN2006-118	10/07/06	TC
05	ECN2007-222	06/12/07	NJB



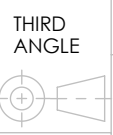
DOUBLE SIDED ADHESIVE  
TAPE WITH RELEASE TAB



INFORMATION CONTAINED IN THIS DOCUMENT IS CONFIDENTIAL TO RICHCO INTERNATIONAL Co. Ltd. AND MAY NOT BE DISCLOSED OR REPRODUCED IN WHOLE OR PART WITHOUT THEIR WRITTEN CONSENT.



ALL DIMENSIONS IN mm  
GENERAL TOLERANCES ±0.25  
UNLESS OTHERWISE STATED  
1 DECIMAL PLACE ±0.25  
2 DECIMAL PLACES ± 0.10  
ANGULAR ±1°



MATERIAL: NYLON 6/6 (RMS-148) & DOUBLE SIDED ADHESIVE (RMS-324) COLOR: NATURAL

DESCRIPTION: WIRE SADDLE BASE WITH ADHESIVE PART No: WWSB-3-148A-RT

DRG No: 06-025	NPR No: 2005-478	Mass:(g) 2.2	SHEET SIZE A4
-------------------	---------------------	-----------------	------------------

DRN OW	DATE 01/12/05	CHKD TC	DATE 09/03/06	SCALE NTS	SHEET No. 1 OF 1
-----------	------------------	------------	------------------	--------------	---------------------

A

B

C

D

E

F