



Chipsmall Limited consists of a professional team with an average of over 10 year of expertise in the distribution of electronic components. Based in Hongkong, we have already established firm and mutual-benefit business relationships with customers from,Europe,America and south Asia,supplying obsolete and hard-to-find components to meet their specific needs.

With the principle of “Quality Parts,Customers Priority,Honest Operation,and Considerate Service”,our business mainly focus on the distribution of electronic components. Line cards we deal with include Microchip,ALPS,ROHM,Xilinx,Pulse,ON,Everlight and Freescale. Main products comprise IC,Modules,Potentiometer,IC Socket,Relay,Connector.Our parts cover such applications as commercial,industrial, and automotives areas.

We are looking forward to setting up business relationship with you and hope to provide you with the best service and solution. Let us make a better world for our industry!



Contact us

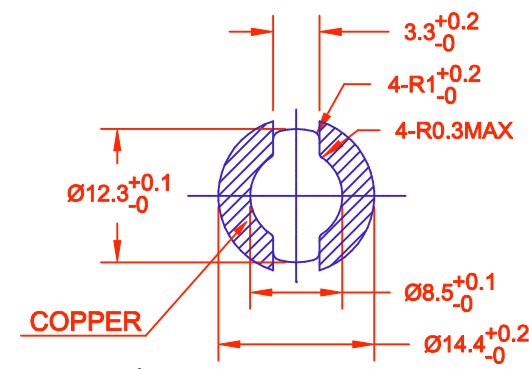
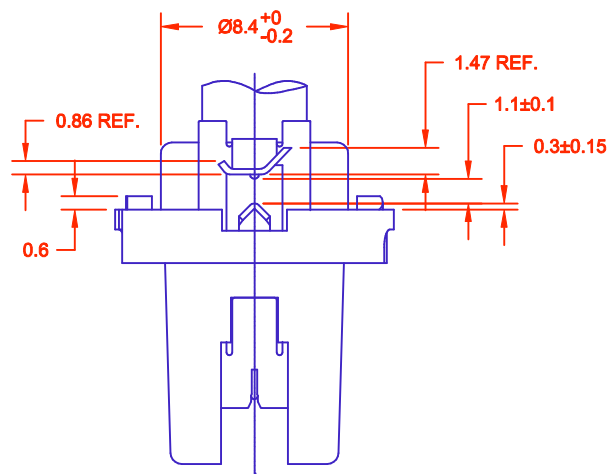
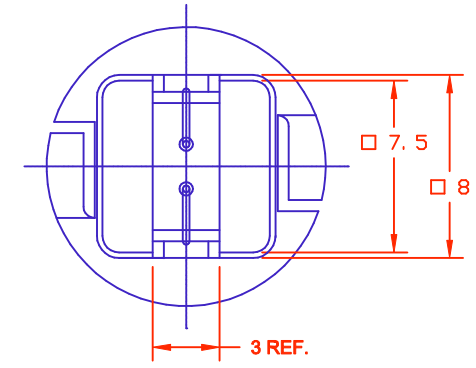
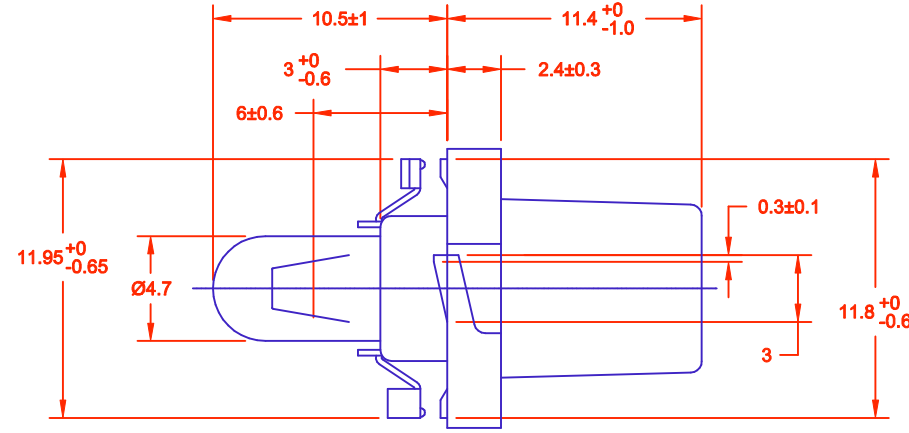
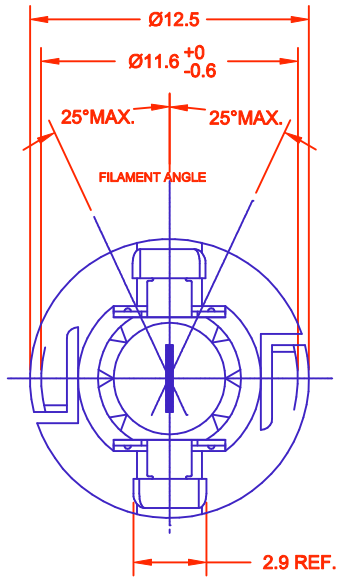
Tel: +86-755-8981 8866 Fax: +86-755-8427 6832

Email & Skype: info@chipsmall.com Web: www.chipsmall.com

Address: A1208, Overseas Decoration Building, #122 Zhenhua RD., Futian, Shenzhen, China



REV.	DESCRIPTION/ECO NO.	DATE
	RELEASED & CANCEL P-0011-09	10/19/01
A	DIMENSION LINE CHANGE	11/9/01
B	CORRECT LAMP NUMBER	2/20/02



HOLE DIMENSION OF LAMP
PRINTED CIRCUIT BOARD (t=1.6)
(REFERENCE)

**NOTE: DOWNWARD FORCE
TO BE APPLIED
WHEN INSERTING
INTO P.C. BOARD.**

JKL PART NO.: WWT1-EW10/GRN

LAMP NUMBER: EW10						
VOLTS RATED	AMPS ± 10%	WATTS	*MSCP ± 25%	*LUMENS ± 25%	AVERAGE LIFE HRS.	FILAMENT TYPE
14.0	.100	1.4	.500	6.29	5,000 DC	C-2F

*LAMP RATING ONLY WITHOUT BASE
BASE COLOR: LIGHT GREEN

 METRIC THIRD ANGLE PROJECTION	DIMENSIONS ARE IN MILLIMETERS TOLERANCE UNLESS OTHERWISE SPECIFIED 1 PL +/- 0.2 2 PL +/- 0 ANGLE +/- 0		JKL COMPONENTS CORPORATION			
	TITLE WELDED WIRE TERMINAL LAMP IN BASE					
DRAWN BY L. WENGSTROM	APPVD BY J. KAHL	DATE 2/20/02	SIZE A	FSCM NO. 55335	DRAWING NO. WWT1-EW10/GRN	REV. B
MANUAL REVISIONS NOT PERMITTED			SCALE NONE	RELEASED DATE 10/19/01	REVISION DATE 2/20/02	SHEET 1 OF 1