



Chipsmall Limited consists of a professional team with an average of over 10 year of expertise in the distribution of electronic components. Based in Hongkong, we have already established firm and mutual-benefit business relationships with customers from,Europe,America and south Asia,supplying obsolete and hard-to-find components to meet their specific needs.

With the principle of “Quality Parts,Customers Priority,Honest Operation,and Considerate Service”,our business mainly focus on the distribution of electronic components. Line cards we deal with include Microchip,ALPS,ROHM,Xilinx,Pulse,ON,Everlight and Freescale. Main products comprise IC,Modules,Potentiometer,IC Socket,Relay,Connector.Our parts cover such applications as commercial,industrial, and automotives areas.

We are looking forward to setting up business relationship with you and hope to provide you with the best service and solution. Let us make a better world for our industry!



Contact us

Tel: +86-755-8981 8866 Fax: +86-755-8427 6832

Email & Skype: info@chipsmall.com Web: www.chipsmall.com

Address: A1208, Overseas Decoration Building, #122 Zhenhua RD., Futian, Shenzhen, China



***Wireless LAN* Module**

IEEE802.11b/g/n

WYSAAVDX7

Data Report

WYSAAVDX7

TAIYO YUDEN

Document constituent list

Control name	Control No.	Document Page
General Items	HD-AG-A100174	1/4 - 4/4
Absolute maximum ratings	HD-AM-A100174	1/1
Electrical characteristics	HD-AE-A100174	1/5 - 5/5
Circuit schematic	HD-MC-A100174	1/1
Outline / Appearance	HD-AD-A100174	1/2 - 2/2
Pin Layout	HD-BA-A100174	1/1
Handling Precaution	HQ-BA-521-A	1/1
Packaging Specification	HD-BB-A100174	1/2 - 2/2

Rev. records

21-May-2015> Ver.1.0 Released

WYSAAVDX7

TAIYO YUDEN

Control No. HD-AG-A100174	(1/4)	Control name General Items
------------------------------	-------	-------------------------------

Scope

This specification ("Specification") applies to the hybrid IC for use Wireless LAN module ("Product") manufacture by TAIYO YUDEN Co., Ltd. ("TAIYO YUDEN")

1. User Code: WYSAAVDX7
2. Function: Radio frequency transfer Module. (**IEEE802.11bgn** standard conformity)
3. Application: PC peripheral, Handy terminal
4. Structure: Hybrid IC loaded with silicon monolithic and GaAs semiconductor
Ability of lead free mounting at customer's assembly (Heat resistance of this Product): Yes
Containment of hazardous substance in this Product
*This product conforms to RoHS Directive.
5. Outline: Stacking Connector Type
6. Marking: IC ID, FCC ID, Japan ID, MAC address and Lot at label on the bottom side.
7. Features:
 - IEEE802.11bgn** standard conformity
 - Interface: SDIO
 - Embedded MPU for reducing loads on host processor
 - Built-in EEPROM (MAC address)
8. Security: WEP (64/128), TKIP, AES, WPA, WPA2, WAPI
9. Packing: Packaging method: Tray
Packaging unit: 90pcs./tray
1080pcs./Box
10. Terminal: Data input-output (20pin Stacking Connector)
"Panasonic Electric Works Co., Ltd: AXK820145WG"
RF input-output (Antenna)
11. Mount: with M2 screw
12. Notes:
 - a. This Product is not designed for radiation durable and should not be used under the circumstance of radiation.
 - b. The operating conditions of this Product are as shown in this Specification. Please note that TAIYO YUDEN shall not be liable for a failure and/or abnormality which is caused by use under the conditions other than the operating conditions hereof.
 - c. This Product mentioned in this Specification is manufactured for use in consumer products. Before using this Product in any special equipment (such as medical equipment, space equipment, air craft, disaster prevention equipment), where higher safety and reliability are duly required, the applicability and suitability of this Product must be fully evaluated by the customer at its sole risk to ensure correct and safety operation of those special equipments. Also, evaluation of the safety function of this Product even for use in general electronics equipment shall be thoroughly made and when necessary, a protective circuit shall be added at design stage, all at the customer's sole risk.

TAIYO YUDEN

WYSAAVDX7

TAIYO YUDEN

Control No. HD-AG-A100174	(2/4)	Control name General Items
------------------------------	-------	-------------------------------

- d. i) You are requested to fully check and confirm by the start of mass production of this Product that (1) no bug, defect or other failure is included in firmware incorporated in this Product (“Incorporated Software”), (2) no bug defect or other failure is caused by installation of this Product with Incorporated Software into customer’s products, and that Incorporated Software fully meets customer’s intended use, although TAIYO YUDEN sufficiently inspects or verifies quality of Incorporated Software.
- ii) Please note that TAIYO YUDEN is not responsible for any failure arising out of bugs or defects in Incorporated Software.
- e. Communication between this Product and others might not be established nor maintained depending upon radio environment or operating conditions of this Product and other ISM band at 2.4GHz products.
- f. This Product operates in the unlicensed ISM band at 2.4GHz. In case this Product is used around the other wireless devices which operate in same frequency band of this Product, there is a possibility that interference occurs between this Product and such other devices. If such interference occurs, please stop the operation of other devices or relocate this Product before using this Product or do not use this Product around the other wireless devices.
- g. Please evaluate adequately our module incorporated to your products before mass production.
- h. In some cases, TAIYO YUDEN may use replacements as component parts of Products. Such replacement shall apply only to component part of Products, which TAIYO YUDEN deems it possible to replace or substitute according to (i) Scope provided in this Specification (e.g. Official Standard (Type Approvals etc.)) and (ii) Quality of Products. TAIYO YUDEN also ensures traceability of such replacement on production lot basis.
- j. Caution for Export Control
- This Product may be subject to governmental approvals, consents, licenses, authorizations, declarations, filings, and registrations for export or re-export of the Product, required by *Japanese Foreign Exchange and Foreign Trade Law(including related laws and regulations)* and/or any other country’s applicable laws or regulations related to export control.
- In case you will export or re-export this Product, you are strongly recommended to check and confirm, before exporting or re-exporting, necessary procedures for export or re-export of this Product which is required by applicable laws and regulations, and if necessary, you have to obtain necessary and appropriate approvals or licenses from governmental authority at your own risk and expense.

TAIYO YUDEN

WYSAAVDX7

TAIYO YUDEN

Control No. HD-AG-A100174	(3/4)	Control name General Items
------------------------------	-------	-------------------------------

k. Japan Regulatory Information

This product with a specific antenna is a radio system approved for Type Approval.

Please follow the instructions below on designing your product.

a) Please notify clearly below sentences, on your product or in the product manual.

This product has a radio system which was approved as a radio station in a low power data communication system based on the Radio Law and the Telecommunication Business Law.

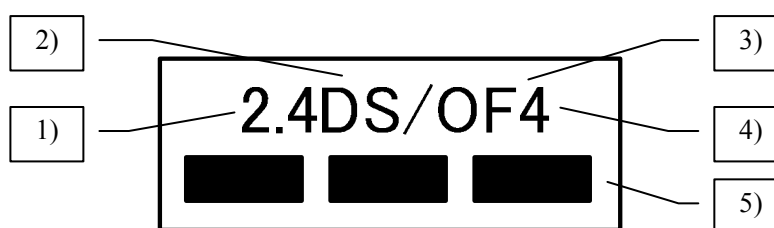
Name of the radio system: 001WWCA1266

b) This module is certified by Type Approval as the device which has SDIO Interface.

Please do not use other purposes except that of certified.

Please contact TAIYO YUDEN for more details of purposes of this product.

c) This product is displayed the following actual indication.



- 1) 2.4 : Represents radio equipment using the 2.4GHz band.
- 2) DS : Represents modulation DS-SS system.
- 3) OF : Represents modulation OFDM system.
- 4) 4 : Represents estimated interference-causing radius to premises radio stations for RFID.
- 5) ■ ■ ■ : Indicates that the equipment can use the entire band and is capable of avoiding the band used by RFID systems.

This equipment shares a frequency band with a wide range of equipment: e.g. industrial, scientific, and medical equipment such as microwave ovens, premises radio stations (radio stations requiring licenses), and specified low-power radio stations (radio stations not requiring licenses) for RFID used for rectory production lines as well as amateur radio stations (radio stations requiring licenses).

1. Before use, confirm that no premises radio stations and specified low-power radio stations for RFID or amateur radio stations operate in your vicinity.
2. In the event that this equipment causes or halt radio wave emission and contact us at the information indicated below for consultation on interference avoidance measures (e.g., partition installation).
3. Contact us if this equipment causes harmful interference to any specified low-power radio stations for RFID or amateur radio stations or if other problems arise.

TAIYO YUDEN

WYSAAVDX7

TAIYO YUDEN

Control No. HD-AG-A100174	(4/4)	Control name General Items
------------------------------	-------	-------------------------------

m. Canada Regulatory Information

- a) This device complies with Industry Canada licence-exempt RSS standards.

Operation is subject to the following two conditions: (1) this device may not cause interference, and (2) this device must accept any interference, including interference that may cause undesired operation of the device.

L'utilisation de ce dispositif est autorisée seulement aux conditions suivantes: (1) il ne doit pas produire de brouillage et (2) l'utilisateur du dispositif doit être prêt à accepter tout brouillage radioélectrique reçu, même si ce brouillage est susceptible de compromettre le fonctionnement du dispositif.

- b) This product is certified as type of the portable device with Industry Canada. To maintain compliance with SAR requirement, please use within specification of this product. Please contact TAIYO YUDEN for more details of this product.
- c) Please notify certified ID by either one of the following method in your product.
- Contains Transmitter module IC : 4389B-WYSAAVDX7
 - Contains IC : 4389B-WYSAAVDX7

n. FCC Regulatory Information

- a) This device complies with part 15 of the FCC Rules. Operation is subject to the following two conditions:

(1) This device may not cause harmful interference, and (2) this device must accept any interference received, including interference that may cause undesired operation.

- b) Please notify certified ID by either one of the following method.

- Contains Transmitter Module FCC ID: RYYWYSAAVDX7
- Contains FCC ID: RYYWYSAAVDX7

- c) CAUTION: changes or modifications not expressly approved by the party responsible for compliance could void the use's authority to operate the equipment
- d) This product is certified as type of the portable device with Industry Canada. To maintain compliance with SAR requirement, please use within specification of this product. Please contact TAIYO YUDEN for more details of this product.

WYSAAVDX7

TAIYO YUDEN

Control No. HD-AM-A100174 (1/1)	Control name Absolute maximum ratings
---------------------------------------	--

Absolute maximum ratings

Item	Symbol	Rating			Unit	Remark
		Min.	Typ.	Max.		
Supply voltage 1	VBAT	-0.3		6.0	V	
Supply voltage 2	VIO	-		4.0	V	

Recommendation operating range

Item	Symbol	Rating			Unit	Remark
		Min.	Typ.	Max.		
Supply voltage 1	VBAT	3.4	5.0	5.5	V	
Supply voltage 2	VIO	1.62/2.97	1.8/3.3	1.98/3.63	V	
Storage temperature range	Tstg	-30	25	85	Degrees C	
Operating temperature range (Shielding case surface temperature)	Topr	-20	25	80	Degrees C	

WYSAAVDX7

TAIYO YUDEN

Control No. HD-AE-A100174	(1/5)	Control name Electrical characteristics
------------------------------	-------	--

DC Specifications

Peak Current / Power consumption

The Specification applies for Topr.= 25 degrees C, Supply voltage=Typical voltage (5.0V). RF output power = Typ.

No.	Parameter	Condition	Symbol	Min	Typ	Max	Unit
1	Normal supply voltage 1		VBAT	3.4	5.0	5.5	V
2	Normal supply voltage 2		VIO	1.627/2.97	1.8/3.3	1.98/3.63	V
3	Input Low Voltage		VIL	-0.3		0.3 x VIO	V
4	Input High Voltage		VIH	0.8 x VIO		VIO + 0.3	V
5	Output Low Voltage		VOL	-		0.4	V
6	Output High voltage		VOH	VIO - 0.4		-	V
7	Peak current 1	VBAT	Iccp1			400	mA
8	Peak current 2	VIO	Iccp2			30	mA
9	Power consumption1	Burst Tx (150Mbps), Duty 2.4%	Pc1		439		mW
10	Power consumption2	Continuous Rx (150Mbps)	Pc2		552		mW
11	Power consumption3	Burst Tx (72.2Mbps), Duty 4..2%	Pc3		443		mW
12	Power consumption4	Continuous Rx (72.2Mbps)	Pc4		514		mW
13	Power consumption5	Burst Tx (54Mbps), Duty 25.4%	Pc5		502		mW
14	Power consumption6	Continuous Rx (54Mbps)	Pc6		503		mW
15	Power consumption7	Burst Tx (11Mbps), Duty 43.3%	Pc7		651		mW
16	Power consumption8	Continuous Rx (11Mbps)	Pc8		499		mW
17	Power consumption9	Power save mode (DTIM=1, Beacon interval =100ms)	VIO=3.3V Pc9	-	27	-	mW
18	Power consumption11	Deep Sleep	VIO=3.3V Pc11	-	3	-	mW

TAIYO YUDEN

WYSAAVDX7

TAIYO YUDEN

Control No. HD-AE-A100174	(2/5)	Control name Electrical characteristics
------------------------------	-------	--

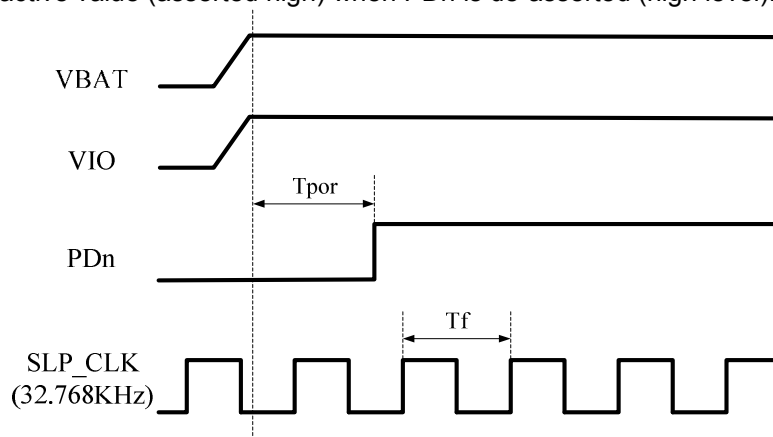
AC Specifications

Power-on timing / External sleep clock

	Parameter	Condition	Symbol	Min	Typ	Max	Unit	Remark
1	Valid Power/ Clock to PDn de-asserted		Tpor	300			ms	
2	Input SLP_CLK frequency		Tf		32.768		KHz	
3	Input SLP_CLK high voltage		V _{IH}	0.8	1.8	1.98	V	
4	Input SLP_CLK low voltage		V _{IL}	0.0		0.25	V	
5	Input SLP_CLK phase noise requirement		PN		-125		dBc/Hz	@100KHz
6	Input SLP_CLK slew rate limit (10-90%)		SR			100	ns	
7	Input SLP_CLK duty cycle tolerance		DC	20		80	%	

<Power-on sequence>

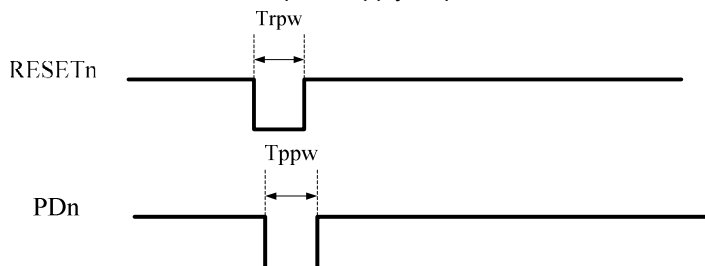
PDn must remain asserted for minimum of Tpor after VBAT, VIO and SLP_CLK are stable.
RESETEn must be inactive value (asserted high) when PDn is de-asserted (high level).



External reset(RESETEn), power down(PDn)

	Parameter	Condition	Symbol	Min	Typ	Max	Unit	Remark
1	RESETEn pulse width		Trpw	1			ms	Note1
2	PDn pulse width		Tppw	300			ms	Notes2, 3

1. RESETEn should be asserted while VBAT, VIO and SLP_CLK are stable and PDn is de-asserted (high level).
2. PDn should be asserted while VBAT, VIO and SLP_CLK are stable and RESETEn is de-asserted (high level).
3. For lowest current consumption, apply all power rails to WYSAAVDX7 during the assertion of PDn pin.



TAIYO YUDEN

WYSAAVDX7

TAIYO YUDEN

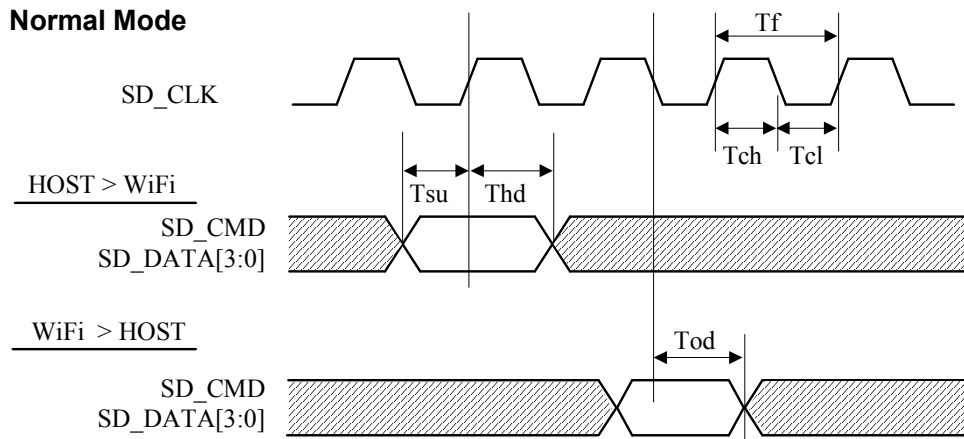
Control No. HD-AE-A100174	(3/5)	Control name Electrical characteristics
------------------------------	-------	--

SDIO Interface Specifications

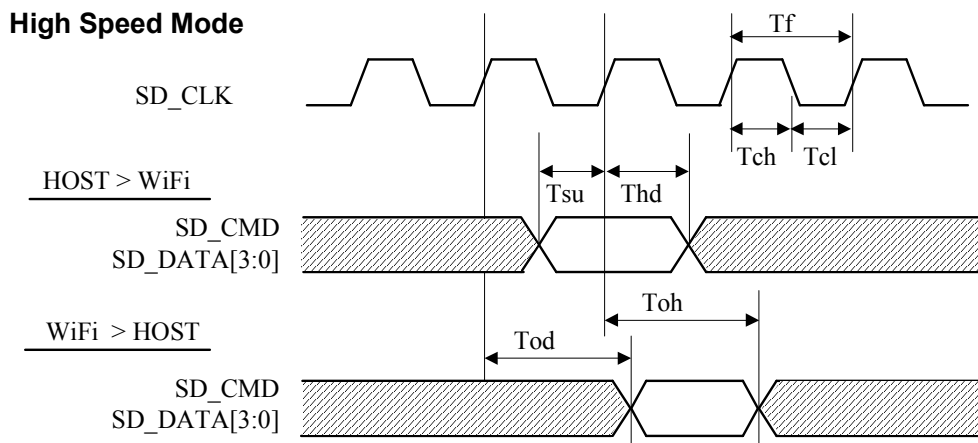
The Specification applies for Topr.= 25degrees C , Supply voltage=Typical voltage(5.0V).

	Parameter	Symbol	Condition	Min	Typ	Max	Unit	Remark
1	Input SDIO_CLK Frequency	Tf	Normal	0	-	25	MHz	
			High Speed	0	-	50		
2	Input SDIO_CLK High Time	Tch	Normal	10	-	-	ns	
			High Speed	7	-	-		
3	Input SDIO_CLK Low Time	Tcl	Normal	10	-	-	ns	
			High Speed	7	-	-		
4	Input SDIO_CMD, DATA[3:0] Setup time	Tsu	Normal	5	-	-	ns	
			High Speed	6	-	-		
5	Input SDIO_CMD, DATA[3:0] Hold time	Thd	Normal	5	-	-	ns	
			High Speed	2	-	-		
6	Output SDIO_CMD, DATA[3:0] Delay time	Tod	-	-	-	7.33	ns	
7	Output SDIO_CMD, DATA[3:0] Hold time	Toh	High Speed	2.5	-	-	ns	

Normal Mode



High Speed Mode



TAIYO YUDEN

WYSAAVDX7

TAIYO YUDEN

Control No. HD-AE-A100174	(4/5)	Control name Electrical characteristics
------------------------------	-------	--

RF Specifications (WLAN 11n/150Mbps, OFDM)

The Specification applies for Ta=25 degrees C, Supply voltage =Typical voltage (5.0V).

No	Parameter	Condition	Symbol	Min	Typ	Max	Unit	Remark
1	RF frequency range		FREQ	2422		2462	MHz	
2	TX Power		Po	9	11	13	dBm	
3	Spectrum Mask	1 st Side Lobe	M1	-		-20	dBc	
		2 nd Side Lobe	M2	-		-28	dBc	
		3 rd Side Lobe	M3	-		-45	dBc	
4	Symbol clock tolerance		Ft	-25		25	ppm	
5	Frequency tolerance		Ft	-25		25	ppm	
6	EVM	Rms	EVM	-		-28	dB	
7	TX Out of band spurious1	30MHz to 1GHz	TOS1	-		-36	dBm	
8	TX Out of band spurious2	1GHz to 12.75GHz	TOS2	-		-30	dBm	
9	TX Out of band spurious3	1.8GHz to 1.9GHz 5.15GHz to 5.3GHz	TOS3			-47	dBm	
10	Rx sensitivity	PER<10%	SEN	-	-66	-61	dBm	
11	Maximum Input Level	PER<10%	MIL	-20		-	dBm	
12	RX Out of band spurious1	30MHz to 1GHz	ROS1	-		-57	dBm	
13	RX Out of band spurious2	1GHz to 12.75GHz	ROS2	-		-47	dBm	

RF Specifications (WLAN 11n/72.2Mbps, OFDM)

The Specification applies for Ta=25 degrees C, Supply voltage =Typical voltage (5.0V).

No	Parameter	Condition	Symbol	Min	Typ	Max	Unit	Remark
1	RF frequency range		FREQ	2412		2472	MHz	
2	TX Power		Po	9	11	13	dBm	
3	Spectrum Mask	1 st Side Lobe	M1	-		-20	dBc	
		2 nd Side Lobe	M2	-		-28	dBc	
		3 rd Side Lobe	M3	-		-45	dBc	
4	Symbol clock tolerance		Ft	-25		25	ppm	
5	Frequency tolerance		Ft	-25		25	ppm	
6	EVM	Rms	EVM	-		-28	dB	
7	TX Out of band spurious1	30MHz to 1GHz	TOS1	-		-36	dBm	
8	TX Out of band spurious2	1GHz to 12.75GHz	TOS2	-		-30	dBm	
9	TX Out of band spurious3	1.8GHz to 1.9GHz 5.15GHz to 5.3GHz	TOS3			-47	dBm	
10	Rx sensitivity	PER<10%	SEN	-	-69	-64	dBm	
11	Maximum Input Level	PER<10%	MIL	-20		-	dBm	
12	RX Out of band spurious1	30MHz to 1GHz	ROS1	-		-57	dBm	
13	RX Out of band spurious2	1GHz to 12.75GHz	ROS2	-		-47	dBm	

TAIYO YUDEN

WYSAAVDX7

TAIYO YUDEN

Control No. HD-AE-A100174	(5/5)	Control name Electrical characteristics
------------------------------	-------	--

RF Specifications (WLAN 11g/54Mbps, OFDM)

The Specification applies for Ta=25 degrees C, Supply voltage =Typical voltage (5.0V).

No	Parameter	Condition	Symbol	Min	Typ	Max	Unit	Remark
1	RF frequency range		FREQ	2412		2472	MHz	
2	TX Power		Po	10	12	14	dBm	
3	Spectrum Mask	1 st Side Lobe	M1	-		-20	dBc	
		2 nd Side Lobe	M2	-		-28	dBc	
		3 rd Side Lobe	M3	-		-40	dBc	
4	Symbol clock tolerance		Ft	-25		25	ppm	
5	Frequency tolerance		Ft	-25		25	ppm	
6	EVM	Rms	EVM	-		-25	dB	
7	TX Out of band spurious1	30MHz to 1GHz	TOS1	-		-36	dBm	
8	TX Out of band spurious2	1GHz to 12.75GHz	TOS2	-		-30	dBm	
9	TX Out of band spurious3	1.8GHz to 1.9GHz 5.15GHz to 5.3GHz	TOS3			-47	dBm	
10	Rx sensitivity	PER<10%	SEN	-	-72	-65	dBm	
11	Maximum Input Level	PER<10%	MIL	-20		-	dBm	
12	RX Out of band spurious1	30MHz to 1GHz	ROS1	-		-57	dBm	
13	RX Out of band spurious2	1GHz to 12.75GHz	ROS2	-		-47	dBm	

RF Specifications (WLAN 11b/11Mbps, CCK)

The Specification applies for Ta=25 degrees C, Supply voltage=Typical voltage (5.0V).

No	Parameter	Condition	Symbol	Min	Typ	Max	Unit	Remark
1	RF frequency range		FREQ	2412		2472	MHz	
2	TX Power		Po	13	15	17	dBm	
3	Spectrum Mask	1 st Side Lobe	M1	-		-30	dBc	
		2 nd Side Lobe	M2	-		-50	dBc	
4	Power up-down rump	Power up	TU	-		2	us	
		Power down	TD	-		2	us	
5	Frequency tolerance		Ft	-25		25	ppm	
6	EVM	Peak	EVM	-		35	%	
7	TX Out of band spurious1	30MHz to 1GHz	TOS1	-		-36	dBm	
8	TX Out of band spurious2	1GHz to 12.75GHz	TOS2	-		-30	dBm	
9	TX Out of band spurious3	1.8GHz to 1.9GHz 5.15GHz to 5.3GHz	TOS3			-47	dBm	
10	Rx sensitivity	PER<8%	SEN		-86	-76	dBm	
11	Maximum Input Level	PER<8%	MIL	-10			dBm	
12	RX Out of band spurious1	30MHz to 1GHz	ROS1	-		-57	dBm	
13	RX Out of band spurious2	1GHz to 12.75GHz	ROS2	-		-47	dBm	

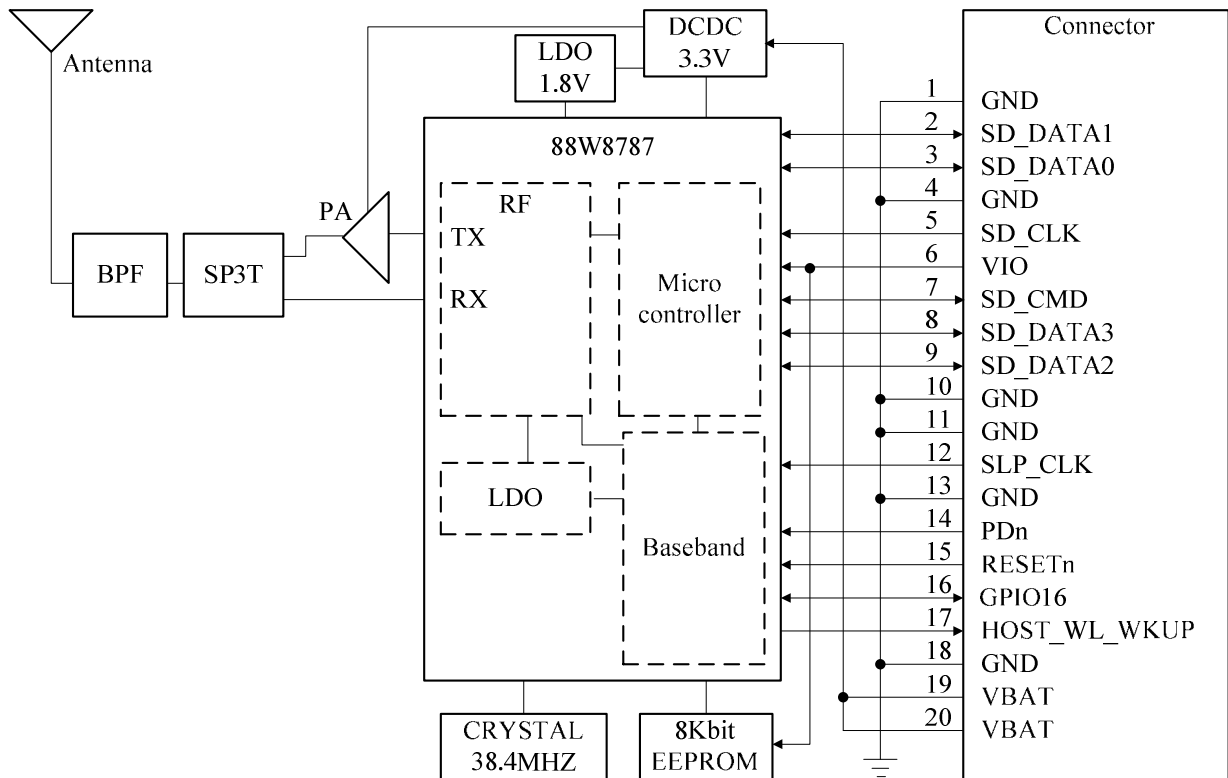
TAIYO YUDEN

WYSAAVDX7

TAIYO YUDEN

Control No. HD-MC-A100174	(1/1)	Control name Circuit Schematic
------------------------------	-------	-----------------------------------

Block Diagram



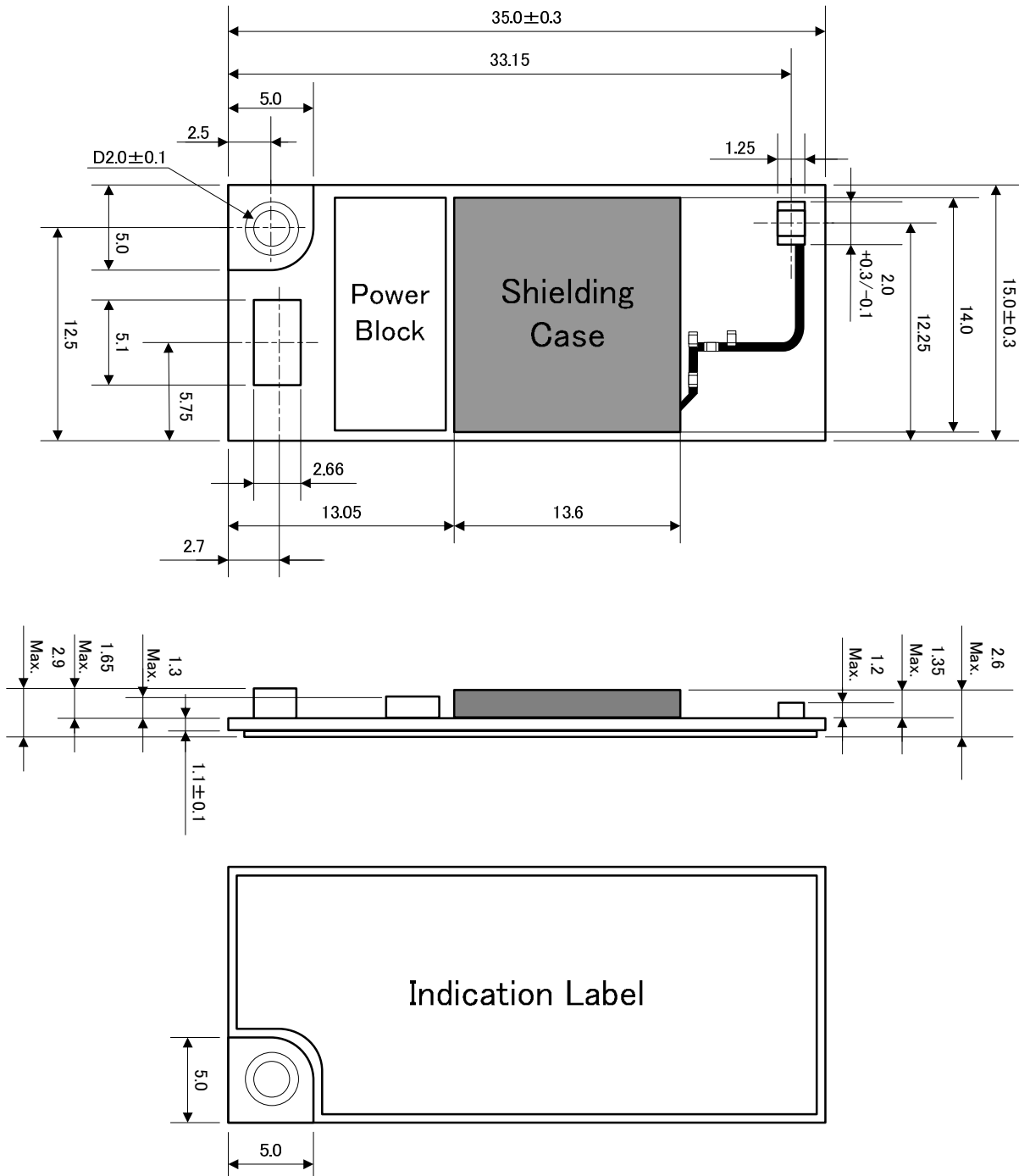
TAIYO YUDEN

WYSAAVDX7

TAIYO YUDEN

Control No. HD-AD-A100174	(1/2)	Control name Outline/Appearance
------------------------------	-------	------------------------------------

Unit: mm, Tolerances unless otherwise specified: $\pm 0.2\text{mm}$



TAIYO YUDEN

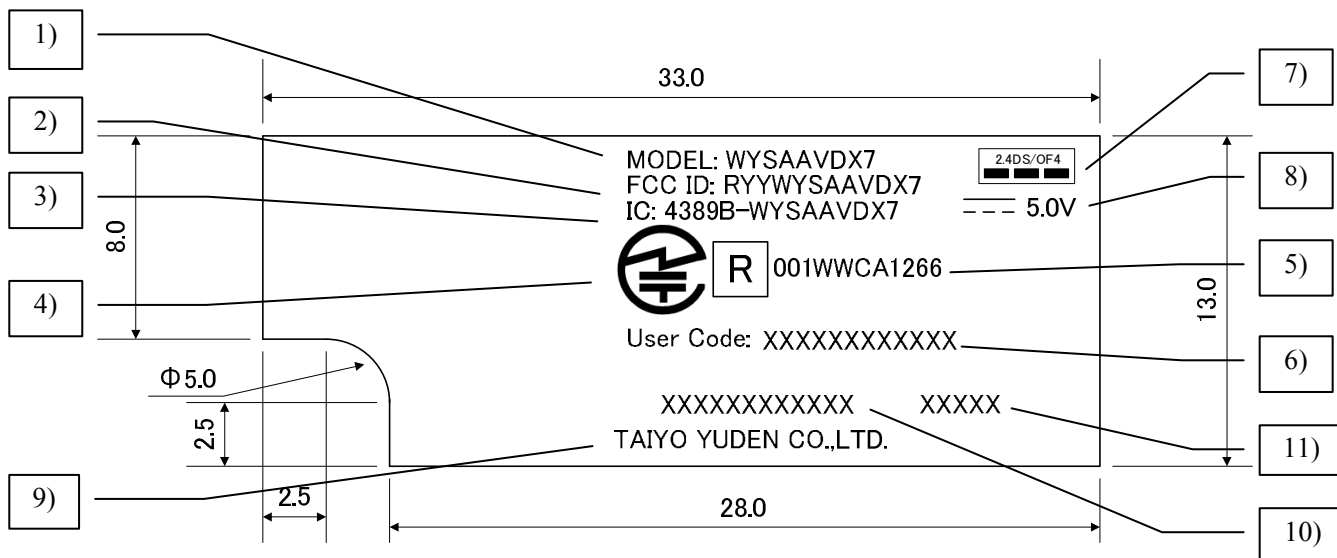
WYSAAVDX7

TAIYO YUDEN

Control No. HD-AD-A100174 (2/2)	Control name Outline/Appearance
---------------------------------------	------------------------------------

Indication label description.

Unit: mm, Tolerances unless otherwise specified : ±0.5mm



Indication label description

- 1) Model : WYSAAVDX7
- 2) FCC ID : RYYWYSAAVDX7
- 3) Industry Canada ID : 4389B-WYSAAVDX7
- 4) Japan logo mark : Specified logo mark
- 5) Japan ID : 001WWCA1266
- 6) User Code : WYSAAVDX7
- 7) ARIB,Actual indication : Indicates that this device is “Second Generation Low Power Data Communication System”
- 8) Type of electrical power supply and rated voltage: Direct current mark and 5.0V
- 9) Manufacture : TAIYO YUDEN CO., LTD.
- 10) MAC address number : XXXXXXXXXXXXX
- 11) Product Lot number : XXXX

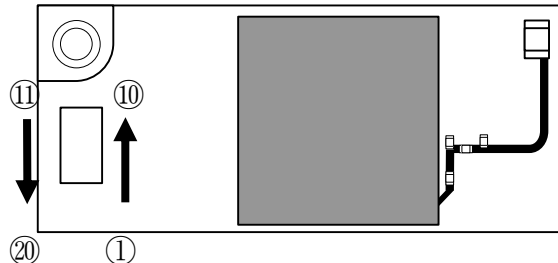
WYSAAVDX7

TAIYO YUDEN

Control No. HD-BA-A100174	(1/1)	Control name Pin Layout
------------------------------	-------	----------------------------

Pin Descriptions

Top view



Pin Descriptions

Terminal No.	Terminal Name	Input/ Output	Pwr Domain	Description	Function
1	GND	-	GND	Ground	Power
2	SD_DATA1	Input/Output	VIO	SDIO Data-1	SDIO
3	SD_DATA0	Input/Output	VIO	SDIO Data-0	SDIO
4	GND	-	GND	Ground	Power
5	SD_CLK	Input	VIO	SDIO Clock	SDIO
6	VIO	Input	VIO	1.8V/3.3V Digital I/O Power Supply	Power
7	SD_CMD	Input/Output	VIO	SDIO Command	SDIO
8	SD_DATA3	Input/Output	VIO	SDIO data-3	SDIO
9	SD_DATA2	Input/Output	VIO	SDIO data-2	SDIO
10	GND	-	GND	Ground	Power
11	GND	-	GND	Ground	Power
12	SLP_CLK	Input	1.8V	Sleep Clock (32.768kHz) Used for WLAN low-power modes. External sleep clock must be used for auto reference clock calibration.	System
13	GND	-	GND	Ground	Power
14	PDn	Input	VIO	Power Down (active low) with internal pull-up.	System
15	RESETn	Input	VIO	Reset (active low) with internal pull-up.	System
16	GPIO16	Input/ Output	VIO	Reserved, keep on set side terminal open.	System
17	HOST_WL_WKUP	Output	VIO	HOST wakeup	System
18	GND	-	GND	Ground	Power
19	VBAT	Input	VBAT	5.0V Power Supply	Power
20	VBAT	Input	VBAT	5.0V Power Supply	Power

TAIYO YUDEN

WYSAAVDX7

TAIYO YUDEN

Control No. HQ-BA-521-A	(1/1)	Control name Handling Precaution
----------------------------	-------	-------------------------------------

This document describes Handling Instructions for Taiyo Yuden module.

1. Storage conditions

- 1) Store the device in the range of 5~30 deg-C / 40~60%RH.
- 2) The device should be stored where there is no toxic gas that damages the device and little dust.
- 3) The device should be stored under shipping conditions.
- 4) Dew condensation during storage can damage the device.
Rapid temperature change or other factors which may cause dew condensation should be avoided.
- 5) Long-term storage should be avoided because package quality can be reduced or contact characteristics of device terminals may degrade.

2. Transporting Conditions

- 1) Avoid any mechanical vibration and shock which can damage the device. Also avoid dropping the device.
- 2) Static charge from container friction or vibration can damage the device and should be avoided.
- 3) Static charge from the worker (human body) can damage the device and should be avoided.
The worker who handles the device should discharge static electricity through high resistance (1M to 100Mohm) before handling the device.

3. Assembly Conditions

- 1) In order to avoid stress to the components on the device don't warp / bend the device / the motherboard to which the device is attached.
- 2) Extra stress to attaching parts such as a connector on the device should be avoided.
The number of times to fit the connector in a socket is 10 times maximum.
The device should not be reworked such as soldering or resin coating.

4. Conditions of Use

- 1) The device should not be used under the conditions, such as the Maximum Absolute Ratings, and for the purposes other than specified in this document.
- 2) The device is moisture and ionic-material sensitive.
The device should not be used under the condition where dew condensation or dust attaches.
- 3) Please do not wash the device and the motherboard with the device.

TAIYO YUDEN

WYSAAVDX7

TAIYO YUDEN

Control No. HD-BB-A100174	(1/2)	Control name Packaging Specification
------------------------------	-------	---

(1) Packaging Material

Name	Outline	Materials	Note
Tray	430x292x10mm	Antistatic PS	
Pack	30g x 1	Antistatic PE	
Desiccant		Silica gel	
Corrugated cardboard Box	454x 306 x230mm		

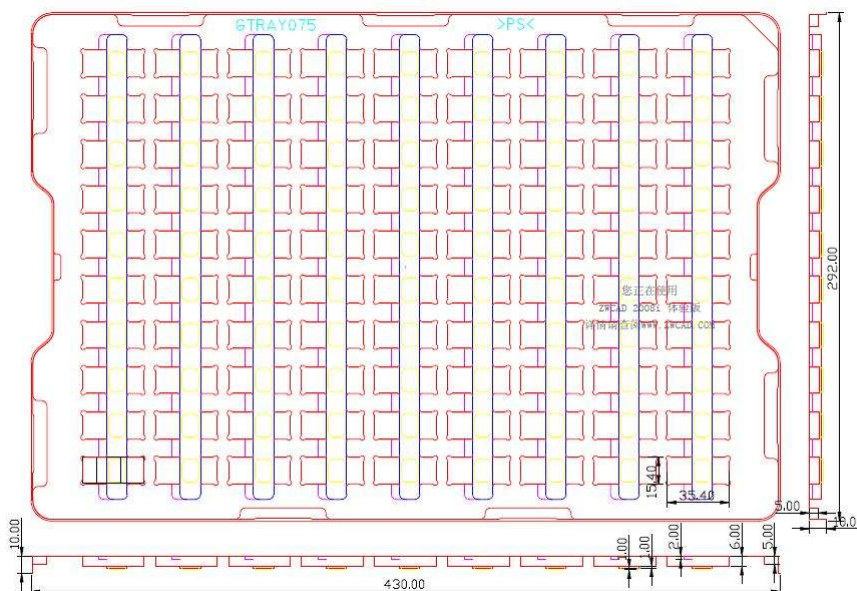
(2) Packaging Unit

Max 90 pieces/Tray

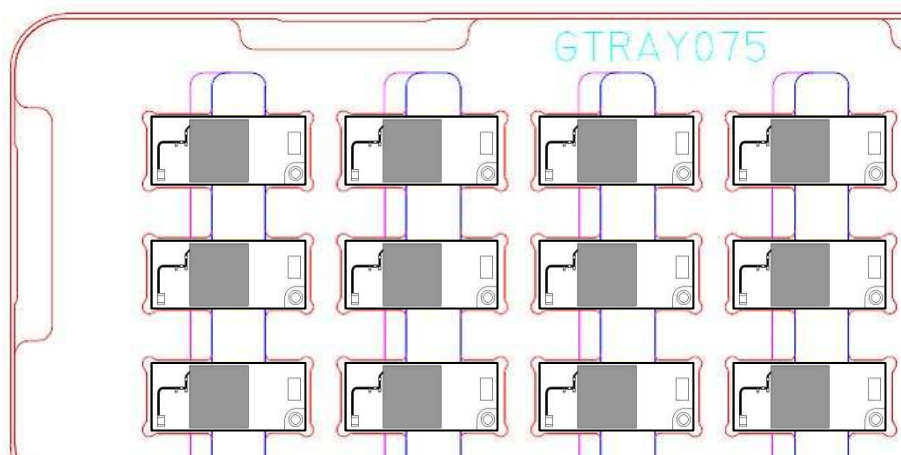
Max 1080 pieces/Box(outer)

(3) Packaging Figure

Figure of tray



Direction



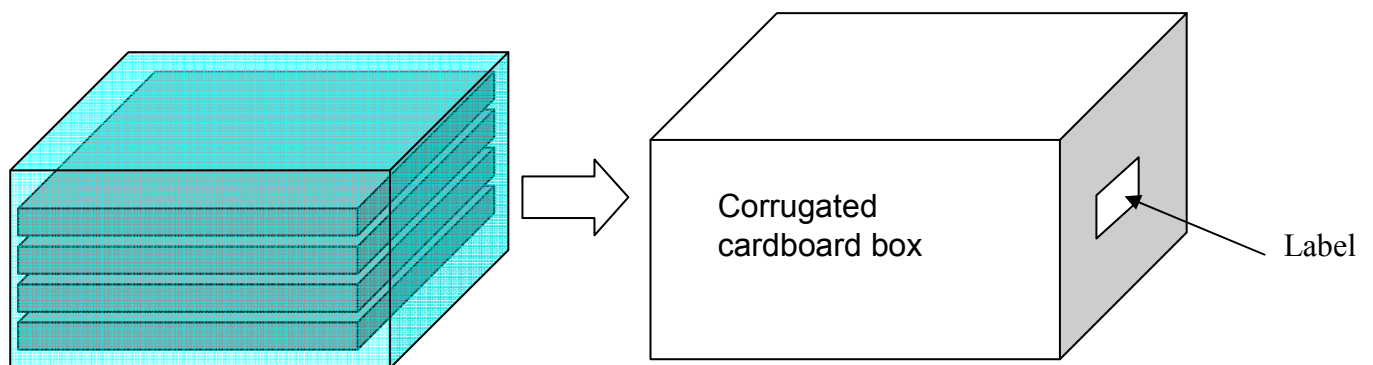
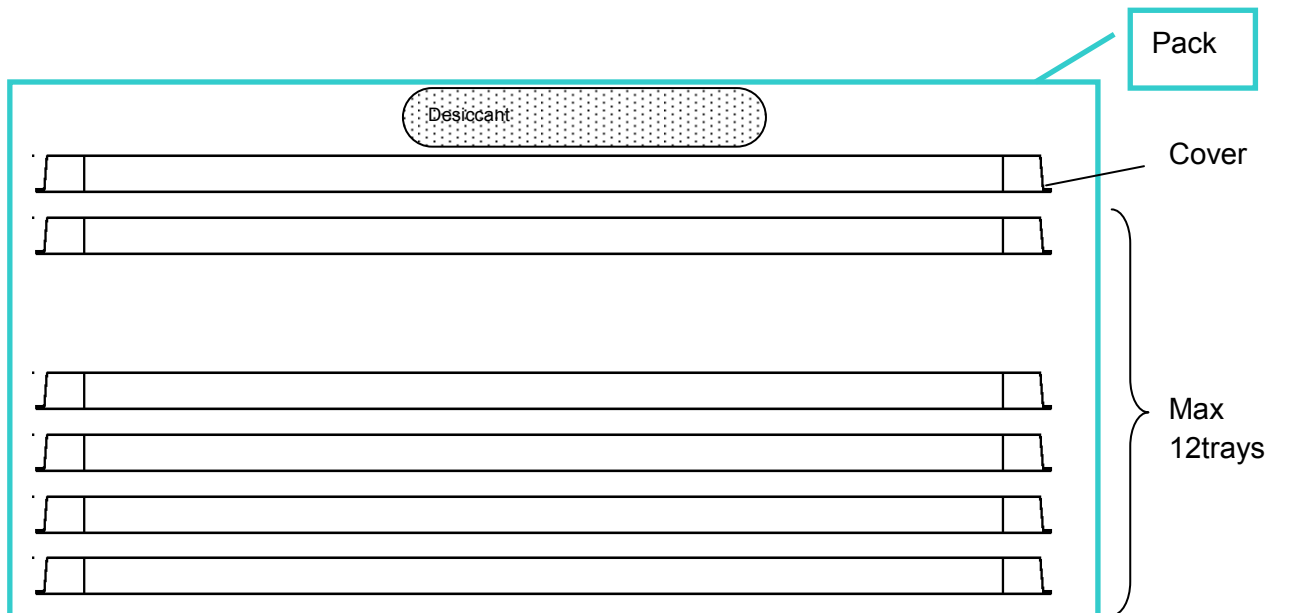
TAIYO YUDEN

WYSAAVDX7

TAIYO YUDEN

Control No. HD-BB-A100174	(1/2)	Control name Packaging Specification
------------------------------	-------	---

(4) Packing condition



(5) Label

The entry item to a label

- 1) COMPANY NAME
- 2) DESCRIPTION
- 3) QUANTITY
- 4) DATE
- 5) NOTE

TAIYO YUDEN