



Chipsmall Limited consists of a professional team with an average of over 10 year of expertise in the distribution of electronic components. Based in Hongkong, we have already established firm and mutual-benefit business relationships with customers from,Europe,America and south Asia,supplying obsolete and hard-to-find components to meet their specific needs.

With the principle of “Quality Parts,Customers Priority,Honest Operation,and Considerate Service”,our business mainly focus on the distribution of electronic components. Line cards we deal with include Microchip,ALPS,ROHM,Xilinx,Pulse,ON,Everlight and Freescale. Main products comprise IC,Modules,Potentiometer,IC Socket,Relay,Connector.Our parts cover such applications as commercial,industrial, and automotives areas.

We are looking forward to setting up business relationship with you and hope to provide you with the best service and solution. Let us make a better world for our industry!



Contact us

Tel: +86-755-8981 8866 Fax: +86-755-8427 6832

Email & Skype: info@chipsmall.com Web: www.chipsmall.com

Address: A1208, Overseas Decoration Building, #122 Zhenhua RD., Futian, Shenzhen, China



SMT Gate Drive Transformer

1500Vdc Basic and Operational Insulation



- Maximum Reflow Temperature: +235°C
- Storage Temperature: -55°C to +130°C
- Moisture Sensitivity Level (MSL): 3
- 1500 V_{DC} isolation between Gate and Drive
- Basic Insulation (1.4mm creepage/clearance) and operational available
- Part designed for rugged environments
- Construction techniques assure excellent resistance to vibration and shock
- Operating frequency: 50kHz and up
- Tape and Reel packaging available
- Lead Finish: SnPb

Electrical Specifications @ 25°C — Operating Temperature -40°C to +130°C

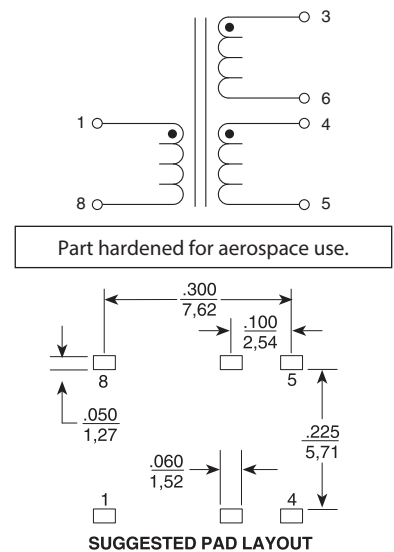
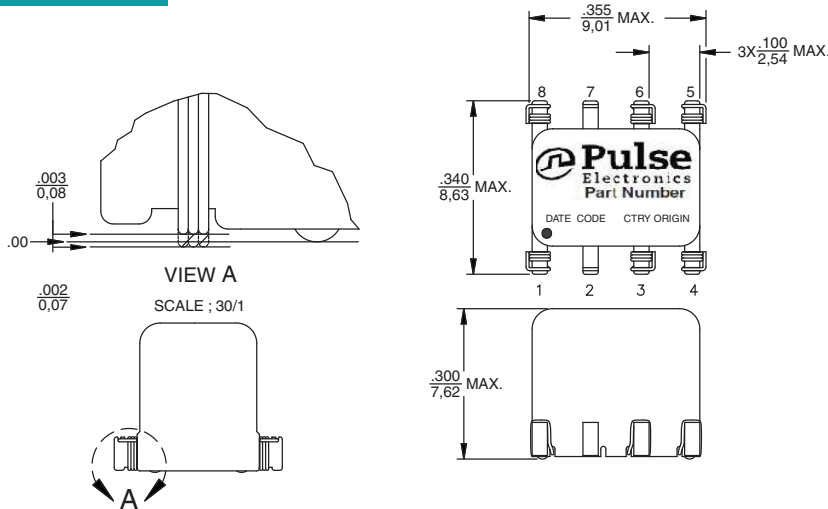
| Part Number | Turns Ratio | Pri-Sec Isolation (V _{DC}) | MAX ¹ V*μsec | Primary Inductance (mH MIN) | Leakage ² Inductance (μH MAX) | DCR Primary (Ω MAX) | DCR Secondary (Ω MAX) | Package Size (L x W x H) (mm MAX) |
|-------------|-------------|--------------------------------------|-------------------------|-----------------------------|--|---------------------|-----------------------|-----------------------------------|
| X-1569 | 1:1 | 1500 | 45.1 | 3.3 | 0.700 | 1.6 | 1.6 | 9.0 x 8.6 x 7.6 |

- NOTES: 1. The maximum volt-sec rating limits the flux density to 2200 Gauss when used in a unipolar drive application. For bi-polar drive applications a maximum volt-sec of two times this rating is acceptable. (2*(volt* sec ratio))
 2. Leakage Inductance is measured at the primary terminals with all secondaries shorted.
 3. Add suffix "T" to part number for Tape & Reel package.
 4. To order a RoHS compliant part, add the suffix "NL" to the part number, i.e. X-1569 becomes X-1569NL.

Electrical Schematic

Schematic

X-1569



For More Information

Pulse Worldwide Headquarters
 Two Pearl Buck Court
 Bristol, PA 19007
 U.S.A.

Pulse Europe
 Zeppelinstrasse 15
 71083 Herrenberg
 Germany

Pulse China Headquarters
 B402, Shenzhen Academy of
 Aerospace Technology Bldg.
 10th Kejianan Road
 High-Tech Zone
 Nanshan District
 Shenzhen, PR China 518057
 Tel: 86 755 33966678
 Fax: 86 755 33966700

Pulse North China
 Room 2704/2705
 Super Ocean Finance Ctr.
 2067 Yan An Road West
 Shanghai 200336
 China
 Tel: 86 21 62787060
 Fax: 86 2162786973

Pulse South Asia
 135 Joo Seng Road
 #03-02
 PM Industrial Bldg.
 Singapore 368363

Pulse North Asia
 3F No. 198, Zhongyuan Road
 Zhongli City
 Taoyuan County (32068)
 Taiwan
 Tel: 886 3 4356768
 Fax: 886 3 4356823

Tel: 215 781 6400
 Fax: 215 781 6403

Tel: 49 7032 7806 0
 Fax: 49 7032 7806 12

Tel: 65 6287 8998
 Fax: 65 6287 8998

Performance warranty of products offered on this data sheet is limited to the parameters specified. Data is subject to change without notice. Other brand and product names mentioned herein may be trademarks or registered trademarks of their respective owners. © Copyright, 2013. Pulse Electronics, Inc. All rights reserved.