



Chipsmall Limited consists of a professional team with an average of over 10 year of expertise in the distribution of electronic components. Based in Hongkong, we have already established firm and mutual-benefit business relationships with customers from,Europe,America and south Asia,supplying obsolete and hard-to-find components to meet their specific needs.

With the principle of “Quality Parts,Customers Priority,Honest Operation,and Considerate Service”,our business mainly focus on the distribution of electronic components. Line cards we deal with include Microchip,ALPS,ROHM,Xilinx,Pulse,ON,Everlight and Freescale. Main products comprise IC,Modules,Potentiometer,IC Socket,Relay,Connector.Our parts cover such applications as commercial,industrial, and automotives areas.

We are looking forward to setting up business relationship with you and hope to provide you with the best service and solution. Let us make a better world for our industry!



Contact us

Tel: +86-755-8981 8866 Fax: +86-755-8427 6832

Email & Skype: info@chipsmall.com Web: www.chipsmall.com

Address: A1208, Overseas Decoration Building, #122 Zhenhua RD., Futian, Shenzhen, China



NOTES: UNLESS OTHERWISE SPECIFIED

1. CONSTRUCTION:

HOUSING & PLUNGER: MOLDED NYLON TYPE 6,6. 33% GLASS FILLED.
AVAILABLE IN TEN COLORS.

CONTACT BLADE: BERYLLIUM COPPER PER QQ-C-533. GOLD PLATED
PER MIL-G-45204 B TYPE 1 0.00001 [0.000254]
THICK MINIMUM.

SPRING: STAINLESS STEEL TYPE 302.

2. PERFORMANCE:

MAXIMUM CURRENT: 5.9 AMPS WITH A 77° TEMPERATURE RISE.

MAXIMUM VOLTAGE: 5.4 KV

MAXIMUM TEMPERATURE: 300°F (150°C) OVER 50 CYCLES OF 30 MIN EA.

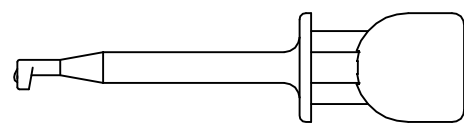
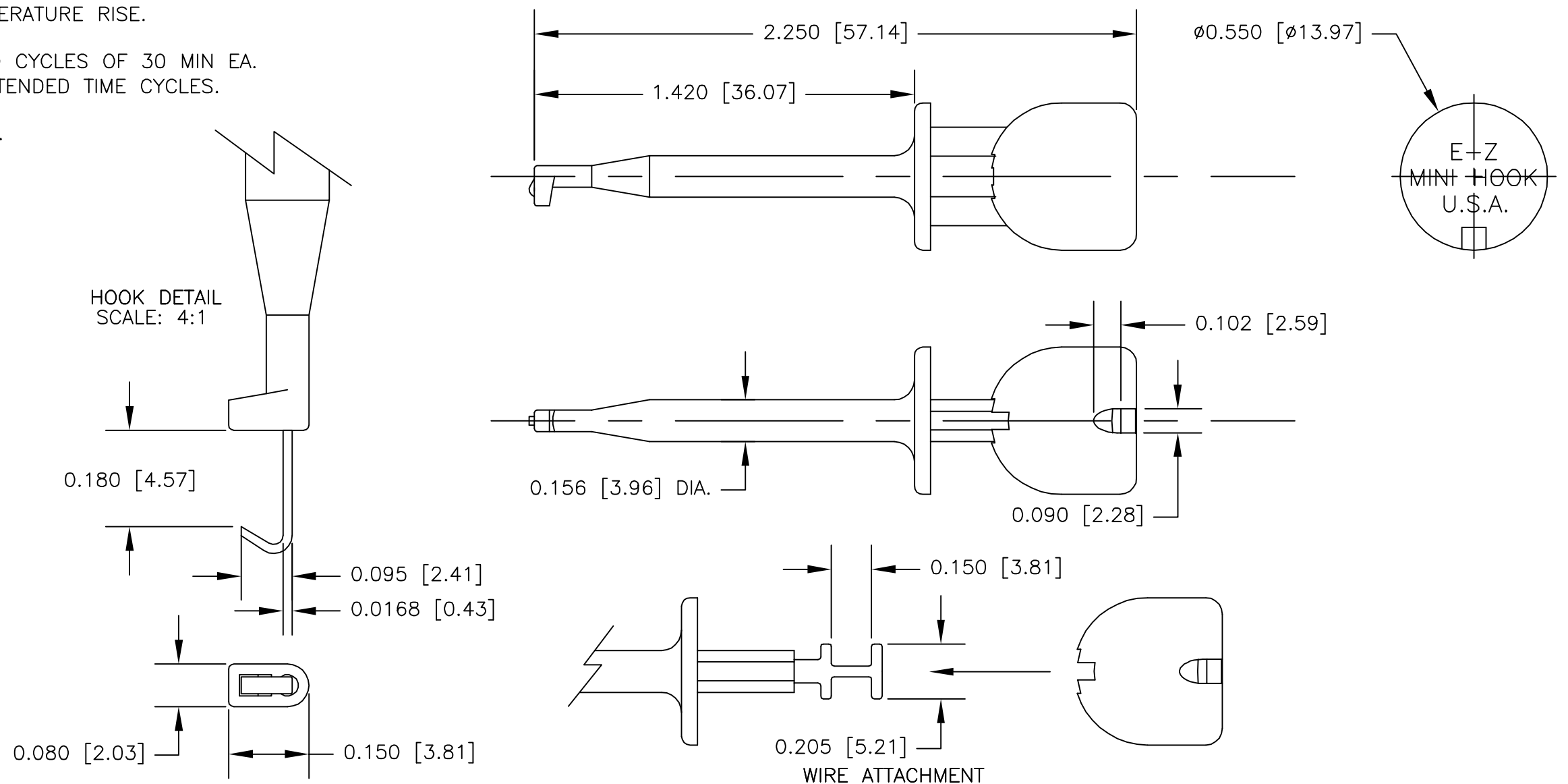
250°F (122°C) OVER EXTENDED TIME CYCLES.

3. FEATURES:

HOOK FITS COMPONENTS UP TO $\phi 0.040$ [$\phi 1.01$].

FIELD SERVICEABLE.

LTR	DESCRIPTION	DATE	APPROVE



ACTUAL SIZE

		UNLESS OTHERWISE SPECIFIED DIMENSIONS ARE IN INCHES TOLERANCES ARE: FRACTIONS DECIMALS ANGLES ± .XX ± ± .XXX ±	CONTRACT NO.		E-Z-HOOK DIVISION OF TEKTEST INC. ARCADIA, CA 91006 U.S.A.
			APPROVALS	DATE	
		MATERIAL SEE NOTE.	DRAWN R.L.	6/09	DESCRIPTION E-Z-MINI-HOOK TEST CONNECTOR HI-TEMP
		FINISH SEE NOTE.	APPROVED BY		
NEXT ASSY	USED ON				SIZE B
APPLICATION		DO NOT SCALE DRAWING			CODE IDENT NO. 08505
					DRAWING NO. X100WXH
					SCALE 2:1
					SHEET 1 OF 1