



Chipsmall Limited consists of a professional team with an average of over 10 year of expertise in the distribution of electronic components. Based in Hongkong, we have already established firm and mutual-benefit business relationships with customers from,Europe,America and south Asia,supplying obsolete and hard-to-find components to meet their specific needs.

With the principle of “Quality Parts,Customers Priority,Honest Operation,and Considerate Service”,our business mainly focus on the distribution of electronic components. Line cards we deal with include Microchip,ALPS,ROHM,Xilinx,Pulse,ON,Everlight and Freescale. Main products comprise IC,Modules,Potentiometer,IC Socket,Relay,Connector.Our parts cover such applications as commercial,industrial, and automotives areas.

We are looking forward to setting up business relationship with you and hope to provide you with the best service and solution. Let us make a better world for our industry!



Contact us

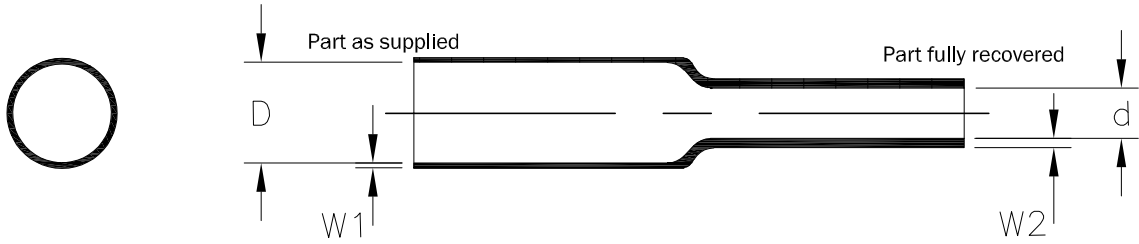
Tel: +86-755-8981 8866 Fax: +86-755-8427 6832

Email & Skype: info@chipsmall.com Web: www.chipsmall.com

Address: A1208, Overseas Decoration Building, #122 Zhenhua RD., Futian, Shenzhen, China



REVISIONS				
P	LTR	DESCRIPTION	DATE	APVD
	A	INITIAL RELEASE PER ECO-16-012814	08-30-2016	HD



TUBING DIMENSIONS METRIC

Size	As Supplied (mm)		As Recovered (mm)	
	Inside Diameter	Wall Thickness	Inside Diameter	Wall Thickness
	D	W1	d	W2
1.0/0.5	1.5 ± 0.2	0.2	0.5	0.44
1.5/0.75	2.1 ± 0.2	0.2	0.75	0.44
2.0/1.0	2.6 ± 0.2	0.25	1.0	0.44
2.5/1.25	3.1 ± 0.2	0.25	1.25	0.44
3.0/1.5	3.6 ± 0.2	0.25	1.5	0.44
3.5/1.75	4.1 ± 0.3	0.25	1.75	0.46
4.0/2.0	4.6 ± 0.3	0.25	2.0	0.46
5.0/2.5	5.6 ± 0.3	0.3	2.5	0.56
6.0/3.0	6.6 ± 0.3	0.3	3.0	0.56
7.0/3.5	7.6 ± 0.3	0.3	3.5	0.56
8.0/4.0	8.6 ± 0.3	0.3	4.0	0.56
9.0/4.5	9.6 ± 0.3	0.3	4.5	0.56
10.0/5.0	10.4 ± 0.3	0.3	5.0	0.56
12.0/6.0	12.7 ± 0.3	0.3	6.0	0.56
18.0/9.0	19.0 ± 0.4	0.4	9.0	0.77
25.0/12.5	26.8 ± 0.4	0.45	12.5	0.77
30.0/15.0	32.1 ± 0.5	0.45	15.0	0.89

MATERIAL: SWFR X2 is a 125°C, 600 volt, VW-1 rated, UL recognized tubing meeting the requirements of UL 224. It is fabricated from Zerohal flame-retarded crosslinked modified flexible polyolefin.


COLOR: Black

RELEASED FOR PUBLICATION APR , 2016.

ALL RIGHTS RESERVED.

© COPYRIGHT 2016 TE Connectivity

THIS DRAWING IS UNPUBLISHED.

DIMENSIONS: mm	DWN	19APR2016	MATERIAL	-	FINISH	-
	CHK	-	 TE Connectivity			
TOLERANCES UNLESS OTHERWISE SPECIFIED:	APVD	-				
0 PLC ± -	PRODUCT SPEC	-	NAME			
1 PLC ± -	APPLICATION SPEC	-	SWFR X2 SINGLE WALL			
2 PLC ± -	WEIGHT	0	HEAT SHRINKABLE TUBING			
3 PLC ± -			SIZE	CAGE CODE	DRAWING NO	RESTRICTED TO
4 PLC ± -			A4	06090	© SWFR_X2	-
ANGLES ± -			CUSTOMER DRAWING			SCALE
						NTS
						SHEET
						1 OF 1
						REV
						A