



Chipsmall Limited consists of a professional team with an average of over 10 year of expertise in the distribution of electronic components. Based in Hongkong, we have already established firm and mutual-benefit business relationships with customers from,Europe,America and south Asia,supplying obsolete and hard-to-find components to meet their specific needs.

With the principle of “Quality Parts,Customers Priority,Honest Operation,and Considerate Service”,our business mainly focus on the distribution of electronic components. Line cards we deal with include Microchip,ALPS,ROHM,Xilinx,Pulse,ON,Everlight and Freescale. Main products comprise IC,Modules,Potentiometer,IC Socket,Relay,Connector.Our parts cover such applications as commercial,industrial, and automotives areas.

We are looking forward to setting up business relationship with you and hope to provide you with the best service and solution. Let us make a better world for our industry!



## Contact us

Tel: +86-755-8981 8866 Fax: +86-755-8427 6832

Email & Skype: info@chipsmall.com Web: www.chipsmall.com

Address: A1208, Overseas Decoration Building, #122 Zhenhua RD., Futian, Shenzhen, China



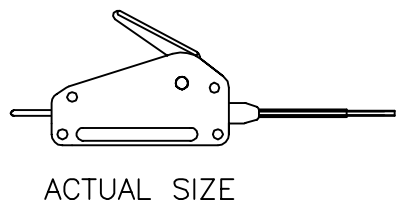
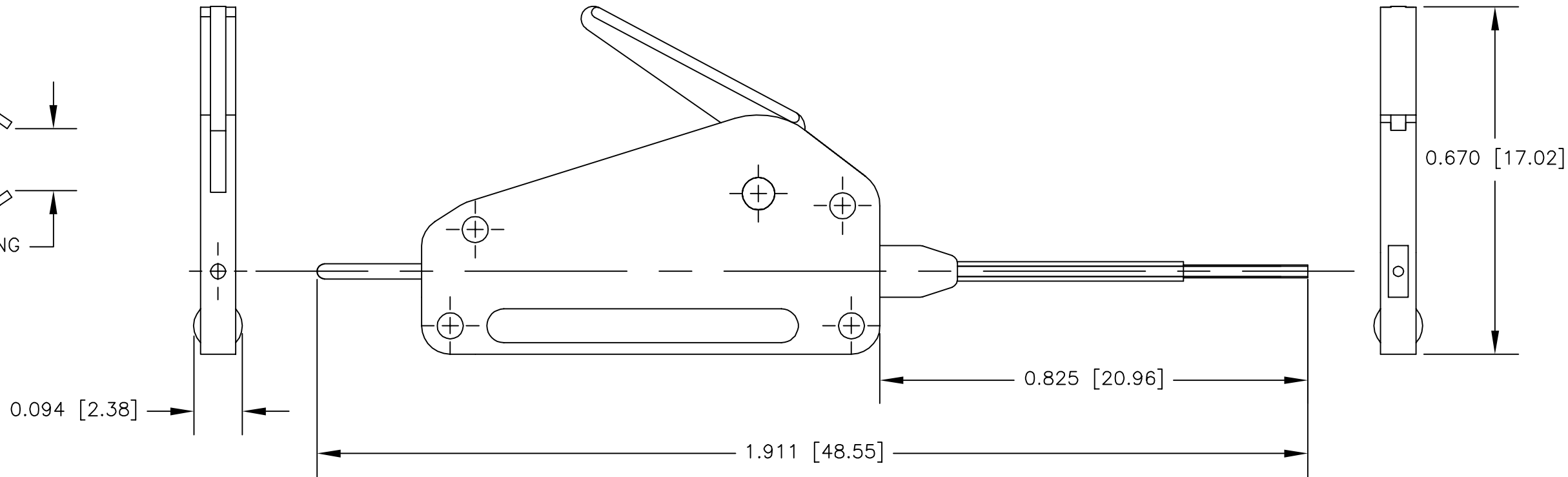
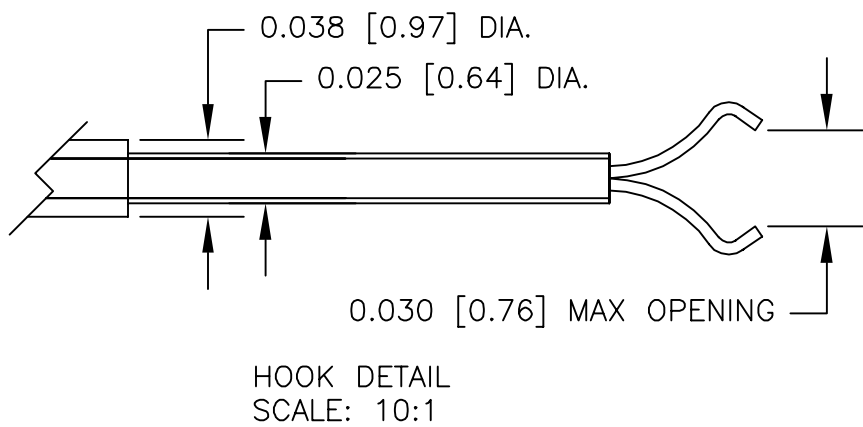
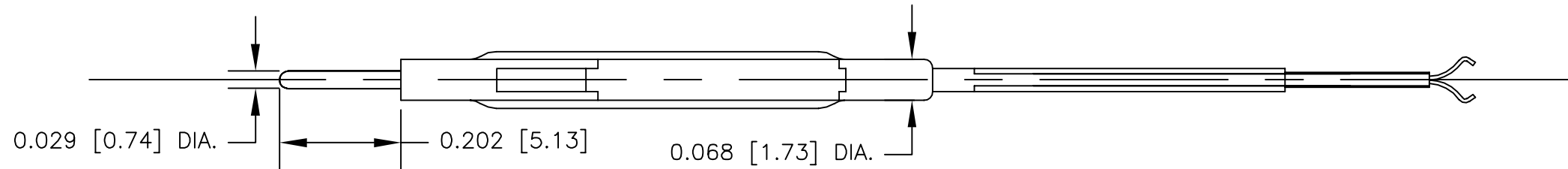
NOTES: UNLESS OTHERWISE SPECIFIED


LTR	DESCRIPTION	REVISIONS	
		DATE	APPROVED

1. CONSTRUCTION:  
 HOUSING: MOLDED NYLON TYPE 6,6. AVAILABLE IN TEN COLORS.  
 TIP TUBING: INSULATED STAINLESS STEEL.  
 PIN PLUG: GOLD PLATED COPPER ALLOY.  
 HOOK: MUSIC WIRE.

2. PERFORMANCE:  
 MAXIMUM CURRENT: 10 mA  
 MAXIMUM VOLTAGE: 30 V  
 MAXIMUM TEMPERATURE: 200°F (93°C)

3. FEATURES:  
 FITS COMPONENTS UP TO  $\phi 0.030$  [ $\phi 0.76$ ].



		UNLESS OTHERWISE SPECIFIED DIMENSIONS ARE IN INCHES TOLERANCES ARE: FRACTIONS    DECIMALS    ANGLES ±            .XX ±            ± .XXX ±	CONTRACT NO.		 DIVISION OF TEKTEST INC. ARCADIA, CA 91006 U.S.A.	
			APPROVALS	DATE		
		MATERIAL	DRAWN	R.L.	6/09	
		FINISH	APPROVED BY		DESCRIPTION E-Z-MICRO DOUBLE TEST CONNECTOR	
NEXT ASSY	USED ON	SEE NOTE.				
APPLICATION		DO NOT SCALE DRAWING	SIZE	CODE IDENT NO.	DRAWING NO.	REV.
			<b>B</b>	<b>08505</b>	X2015	
			SCALE	4:1		SHEET 1 OF 1