



Chipsmall Limited consists of a professional team with an average of over 10 year of expertise in the distribution of electronic components. Based in Hongkong, we have already established firm and mutual-benefit business relationships with customers from,Europe,America and south Asia,supplying obsolete and hard-to-find components to meet their specific needs.

With the principle of “Quality Parts,Customers Priority,Honest Operation,and Considerate Service”,our business mainly focus on the distribution of electronic components. Line cards we deal with include Microchip,ALPS,ROHM,Xilinx,Pulse,ON,Everlight and Freescale. Main products comprise IC,Modules,Potentiometer,IC Socket,Relay,Connector.Our parts cover such applications as commercial,industrial, and automotives areas.

We are looking forward to setting up business relationship with you and hope to provide you with the best service and solution. Let us make a better world for our industry!



Contact us

Tel: +86-755-8981 8866 Fax: +86-755-8427 6832

Email & Skype: info@chipsmall.com Web: www.chipsmall.com

Address: A1208, Overseas Decoration Building, #122 Zhenhua RD., Futian, Shenzhen, China



Connectors

Section Contents

Page

Rail mount terminal blocks

NDN Series 35mm DIN rail mount blocks	304-305
N512-BK 12-Pole block	306
NFT2-WH 2-Pole block	306
NFT3-__ 3-pole block	306
NC3-WH 3-Pole block	307
NSE3-WH 3-Pole block	307
NSS3-WH 3-Pole block	307

Rail mount disconnect terminal blocks

15188 Series 3- and 4-Pole blocks	308
15288 Series 3-Pole block	308

Sectional terminal blocks

PLU3-__ 3-Pole block	309
PLU1-WH 1- to 3-Pole block	309
PSU1-WH 1- to 3-Pole block	309
KT3-WH 3-Pole block	310
KT4-WH 4-Pole block	310
PLK-3-__ 3-Pole block	310

Quick-connect terminal blocks

NTQ23-WH 3-Pole block	311
BNQ21-WH 1-Pole block	311
BQQ41-WH 1-Pole block	311

Double row terminal blocks

Series TB100 2- to 36-Pole blocks	312-313
Series TB200 & TB200HB 2- to 30-Pole blocks	314-315
Series TB300 & TB345 2- to 24-Pole blocks	298-299

Marking options and covers for double row series

Top & bottom marking strips for double row terminal blocks	319
--	-----

Series TB400 2- to 12-Pole double row terminal blocks

Series KU 2- to 12-Pole base mount double row terminal blocks	321
---	-----

Series TS finger-safe terminal blocks

2- to 12-Pole standard base	322
2- to 12-Pole flat base	323
2- to 12-Pole raised base	324



Rail Mount Terminal Blocks

NDN Series

Specifications

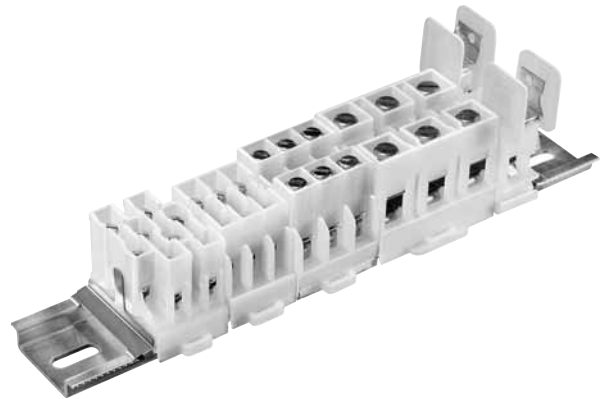
Description: High-density, snap-on 35mm DIN rail compatible rail mount terminal blocks.

Construction: Unique, impact resistant, one-piece thermoplastic moldings. Heat treated stainless steel collars (to secure wires). Tin-plated copper alloy terminals. Zinc-plated steel screws.

Circuits Per Foot: Up to 48 circuits per foot.

Agency Information: CE, UL E62622; CSA LR15364.

Flammability Rating: UL 94V2



NDNV4-___(color)

Specifications

Description: Rail mount terminal block.

Rating: NDNV4 30A, 600V

Center Spacing: 0.25" (6.35mm)

Number of Poles: 4

Circuits Per Foot: 48

Circuit Jumper: JN4, 4 circuits

Wire Range: AWG #10-22 CU

Screw Size: #6-32

Mounting Options: 35mm DIN rail, C-rail

Marking Tape: MTC6

Torque Rating: 18 lb-in

Operating Temperature: 105°C

Agency Information: UL File E62622, CSA File 15364.

Catalog Numbers

Catalog

Numbers	Colors
NDNV4-WH	White (Standard)
NDNV4-BK	Black
NDNV4-YE	Yellow



NDN3-___(color)

Specifications

Description: Rail mount terminal block.

Rating: 30A - field wiring; 40A - factory wiring 600V

Center Spacing: 0.300" (7.62mm)

Number of Poles: 3

Circuits Per Foot: 38

Circuit Jumper: JNDN3, 2 circuits

Wire Range: AWG #10-22 CU

Screw Size: #6-32

Mounting Options: 35mm DIN rail, C-rail

Marking Tape: MT12-1-2

Torque Rating: 18 lb-in

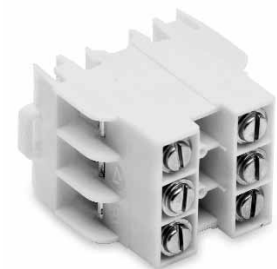
Operating Temperature: 105°C

Agency Information: UL File E62622, CSA File 15364.

Catalog Numbers

Catalog

Numbers	Colors
NDN3-WH	White (Standard)
NDN3-BK	Black
NDN3-BL	Blue
NDN3-RE	Red
NDN3-YE	Yellow



NDN63-___(color)

Specifications

Description: Rail mount terminal block.

Rating: 65A, 600V

Center Spacing: 0.375" (9.52mm)

Number of Poles: 3

Circuits Per Foot: 30

Circuit Jumper: JN3, 2 circuits

Wire Range: AWG #6-18 CU

Screw Size: #10-32

Mounting Options: 35mm DIN rail, C-rail

Marking Tape: MT12-1-2

Torque Rating: 35 lb-in

Operating Temperature: 105°C

Agency Information: UL File E62622, CSA File 15364.

Catalog Numbers

Catalog

Numbers	Colors
NDN63-WH	White (Standard)
NDN63-BK	Black
NDN63-YE	Yellow

Rail Mount Terminal Blocks

NDN1-WH

Specifications

Description: Rail mount terminal block.

Rating: 90A, 600V

Center Spacing: 0.635" (16.13mm)

Number of Poles: 1

Circuits Per Foot: 18

Wire Range: AWG #2-18 Cu

Screw Size: #1/4-28

Mounting Options: 35mm DIN rail, C-rail

* Dove-tail option is available for mounting side-by-side.

Order part no. NDN1A-WH

Marking Tape: MT12-1-2

Torque Rating: 32 lb-in

Operating Temperature: 105°C

Agency Information: UL File E62622, CSA File 47235

Catalog Numbers

Catalog

Number	Color
NDN1-WH	White



NDN111-__ __ (color)

Specifications

Description: Rail mount terminal block.

Rating: 90A, 600V

Center Spacing: 0.635" (16.13mm)

Number of Poles: 3

Circuits Per Foot: 18

Circuit Jumper: JN1, 2 circuits

Wire Range: AWG #2-18 Cu

Screw Size: #1/4-28

Mounting Options: 35mm DIN rail, C-rail, Base Mount

* Dove-tail option is available for mounting side-by-side.

Order part no. NDN111-A

Marking Tape: MT12-1-2

Torque Rating: 32 lb-in

Operating Temperature: 105°C

Agency Information: UL File E62622, CSA File 47235

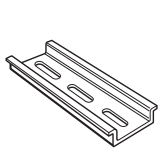
Catalog Numbers

Catalog

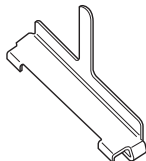
Numbers	Colors
NDN111-WH	White (Standard)
NDN111-BK	Black
NDN111-BL	Blue
NDN111-RE	Red
NDN111-YE	Yellow
NDN111A-WH	White
NDN111A-BK	Black (Standard)
NDN111A-YE	Yellow



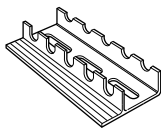
NDN Series Terminal Block Accessories



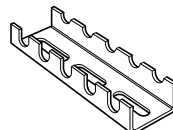
NDNA
35mm DIN Rail
Aluminum
NDNA 100 1 meter
NDNA 200 2 meters



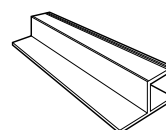
NDNAS
35mm DIN Rail
End Stop



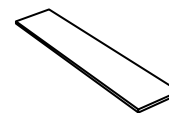
NFTA
C-Rail
Aluminum
Lengths to 72"



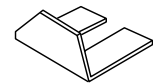
NRA
C-Rail
Low Profile
No Flange
Aluminum
Lengths to 37-1/2"



SOA72
72" Long
Stand-Off Channel
For C-Rail



MARKING TAPE
See Series
Specifications



JUMPERS
See Series
Specifications

Rail Mount Terminal Blocks

N512-BK

Specifications

Description: Rail mount terminal block.

Rating: 5A, 600V; 20A, 300V

Center Spacing: 0.197" (5.00mm)

Number of Poles: 12

Circuits Per Foot: 60

Circuit Jumper: JN512, 12 circuits

Wire Range: AWG #12-22 Cu

Screw Size: #4-48

Mounting Options: C-rail, 15mm DIN rail

Marking Tape: AT512

Torque Rating: 12 lb-in

Operating Temperature: 105°C

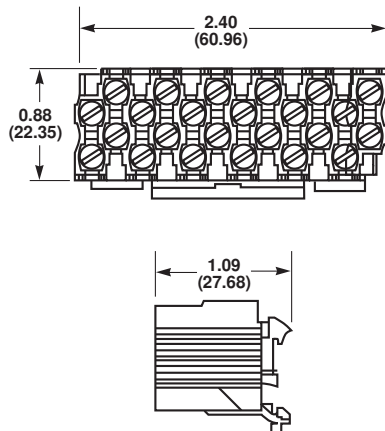
Agency Information: CSA File 15364.



Catalog Numbers

Catalog Number	Color
N512-BK	Black

Dimensions - in (mm)



NFT2-___(color)

Specifications

Description: Rail mount terminal block.

Rating: 40A, 600V; 55A Factory Wired

Center Spacing: 0.281" (7.13mm)

Number of Poles: 2

Circuits Per Foot: 38

Circuit Jumper: JN2, 2 circuits

Wire Range: AWG #8-22 Cu

Screw Size: #8-32

Mounting Options: C-rail

Marking Tape: MT12-1-2

Torque Rating: 18 lb-in

Operating Temperature: 105°C

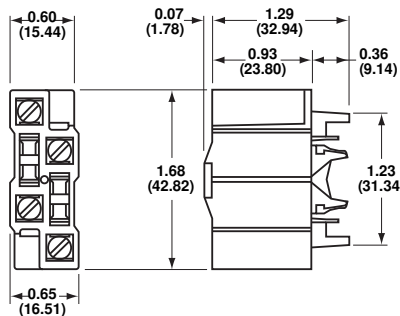
Agency Information: UL File E62622, CSA File 15364.



Catalog Numbers

Catalog Numbers	Colors
NFT2-WH	White
NFT2-BK	Black
NFT2-BL	Blue
NFT2-RE	Red

Dimensions - in (mm)



NFT3-___(color)

Specifications

Description: Rail mount terminal block.

Rating: 40A, 600V; 55A Factory Wired

Center Spacing: 0.390" (9.91 mm)

Number of Poles: 3

Circuits Per Foot: 28

Circuit Jumper: JN3, 2 circuits

Wire Range: AWG #8-22 Cu

Screw Size: #8-32

Mounting Options: C-rail

Marking Tape: MT12-1-2

Torque Rating: 18 lb-in

Operating Temperature: 105°C

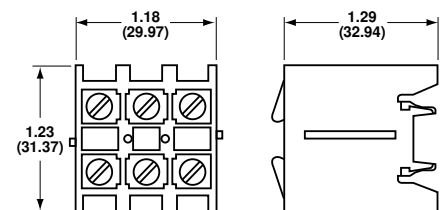
Agency Information: UL File E62622, CSA File 47235.



Catalog Numbers

Catalog Numbers	Colors
NFT3-WH	White (Standard)
NFT3-BK	Black
NFT3-BL	Blue
NFT3-RE	Red
NFT3-YE	Yellow

Dimensions - in (mm)



Rail Mount Terminal Blocks

NC3-__(color)

Specifications

Description: Rail mount terminal block.

Rating: 175A, 600V

Center Spacing: 1.06" (26.92mm)

Number of Poles: 3

Circuits Per Foot: 11

Wire Range: 2/0-#14 Cu/Al

Screw Size: 5/16-24

Mounting Options: C-rail, Base Mount

Marking Tape: MT12-1-2

Torque Rating: 45 lb-in

Operating Temperature: 105°C

Agency Information: UL File E62622, CSA File 15364.

Catalog Numbers

Catalog

Number	Color
NC3-WH	White
NC3-BK	Black



NSE3-WH

Specifications

Description: Rail mount terminal block.

Rating: 115A, 600V

Center Spacing: 1.06" (26.92mm)

Number of Poles: 3

Circuits Per Foot: 11

Circuit Jumper: JNSE3, 2 circuits

Wire Range: For use with wire crimped to ring terminal

Screw Size: #1/4-28

Mounting Options: C-rail, Base Mount

Marking Tape: MT12-1-2

Torque Rating: 32 lb-in

Operating Temperature: 105°C

Agency Information: UL File E62622, CSA File 15364.

Catalog Numbers

Catalog

Number	Color
NSE3-WH	White



NSS3-__(color)

Specifications

Description: Rail mount terminal block.

Rating: 30A, 600V

Center Spacing: 0.385" (9.77mm)

Number of Poles: 3

Circuits Per Foot: 28

Circuit Jumper: JNSS3, 2 circuits

Wire Range: For use with wire crimped to ring terminal

Screw Size: #6-32

Mounting Options: C-rail

Marking Tape: MT12-1-2

Torque Rating: 12 lb-in

Operating Temperature: 105°C

Agency Information: UL File E62622, CSA File 15364.

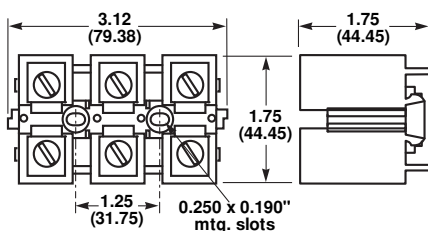
Catalog Numbers

Catalog

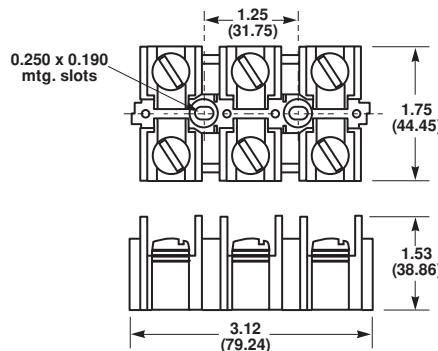
Number	Color
NSS3-WH	White
NSS3-BK	Black



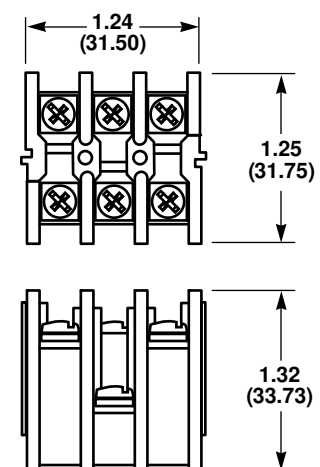
Dimensions - in (mm)



Dimensions - in (mm)



Dimensions - in (mm)



Rail Mount Disconnect Terminal Blocks

15188 Series

Specifications

Description: Disconnect terminal blocks for 35mm DIN rail mount.

Rating: 30A, 600V*

Center Spacing: 0.375" (9.52mm)

Wire Range: #12-16 AGW Cu

Screw Size: #6-32 zinc-plated philslot

Number of Poles: 3- and 4-pole only

Mounting: 35mm DIN Rail

Optional End Stop NDNAS

Jumpers: 2- through 4-pole available

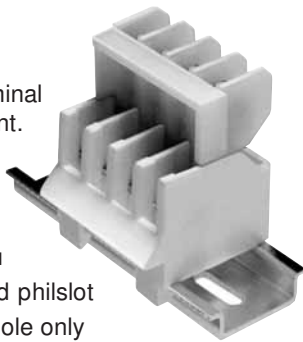
Materials: Molded Base: UL rated 94V-2 thermoplastic. Tin plated copper alloy contacts.

Torque Rating: 12 lb-in

Operating Temperature: 105°C

Agency Information: UL File E62622, CSA File 47235.

* 30A rating achieved with #10AWG wire crimped to ring terminal; 25A without.

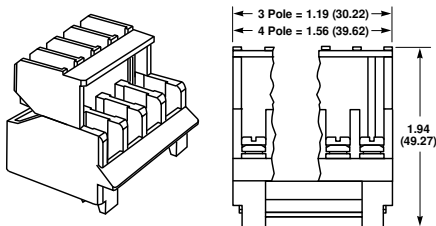


Catalog Number Build-A-Code

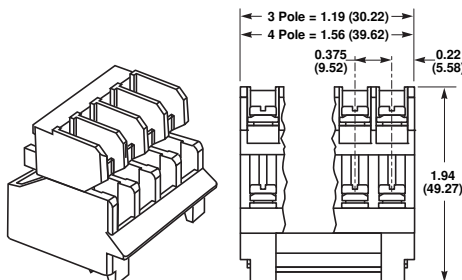
Series	Poles	Wiring	Options
15188	- <input type="checkbox"/>	<input type="checkbox"/>	<input type="checkbox"/>
	3 to 4	Blank = In-line R = Reverse	S = Locking Snap

Dimensions - in (mm)

In-Line Wiring Direction



Reverse Wiring Direction



15288 Series

Specifications

Description:

Disconnect terminal blocks for 35mm DIN rail mount.

Rating: 65A, 600V*

Center Spacing: 0.54" (13.7mm)

Wire Range: #6-16 AWG

Screw Size: #8-32 zinc-plated philslot

Number of Poles: 3-pole only

Mounting: 35mm DIN Rail

Optional Accessories: Optional End Stop NDNAS (order optional accessories separately)

Materials: Molded Base: UL rated 94V2 thermoplastic. Tin-plated copper alloy contacts.

Torque Rating: 20 lb-in (30 lb-in for 8AWG bare wire)

Operating Temperature: 105°C (221°F)

Agency Information: UL File E62622

*CSA rating achieved with #6 AWG wire crimped to ring terminal 50A without.



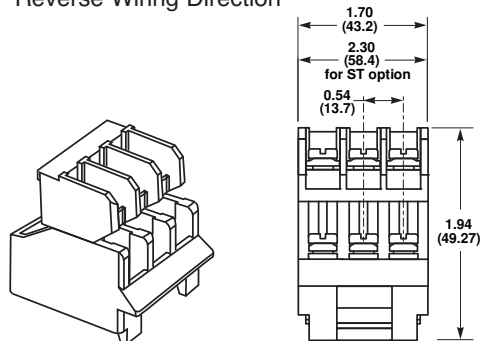
Catalog Number Build-A-Code

Series	Poles	Wiring	Options**
15288	- <input type="checkbox"/>	<input type="checkbox"/>	<input type="checkbox"/> <input type="checkbox"/> <input type="checkbox"/> <input type="checkbox"/>
	3	Blank = In-line R = Reverse	S = Snap ST = Screw Together SS = Solid DIN Rail Snap

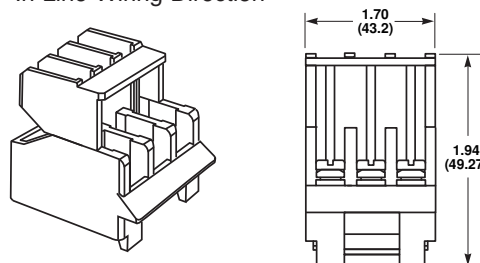
**Options can be combined, e.g. STSS

Dimensions - in (mm)

Reverse Wiring Direction



In-Line Wiring Direction



Sectional Terminal Blocks

PLU3-__(color)

Specifications

Description:

Depluggable rail mount sectional terminal block.

Rating: 40A, 600V

Center Spacing: 0.390" (9.91mm)

Number of Poles: 3

Circuits Per Foot: 28

Circuit Jumper: JN3, 2 circuits

Wire Range: AWG #8-22 Cu

Screw Size: #8-32

Mounting Options: C-rail, Stackable

Marking Tape: MT12-1-2

Torque Rating: 18 lb-in

Operating Temperature: 105°C

Agency Information: UL File E62622, CSA File 15364.

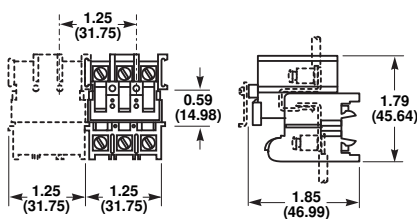


Catalog Numbers

Catalog

Number	Color
PLU3-WH	White (Standard)
PLU3-BK	Black
PLU3-YE	Yellow

Dimensions - in (mm)



PLU1-WH

Specifications

Description:

Depluggable rail mount sectional terminal block.

Rating: 70A, 600V

Center Spacing: 0.625" (15.88mm)

Number of Poles: 1-3

Part Numbers:

- PLU1 (1-pole)
- PLU11 (2-pole)
- PLU111 (3-pole)

Circuits Per Foot: 19

Circuit Jumper: JN1, 2 circuits

Wire Range: AWG #4-18 Cu

Screw Size: #1/4-28

Mounting Options: C-rail, Stackable

Marking Tape: MT12-1-2

Torque Rating: 32 lb-in

Operating Temperature: 105°C

Agency Information: UL File E62622, CSA File 15364.

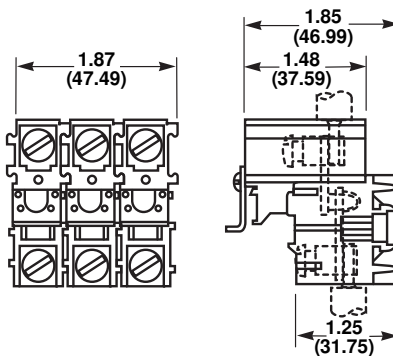


Catalog Numbers

Catalog

Number	Poles	Color
PLU1-WH	1	White
PLU11-WH	2	White
PLU111-WH	3	White

Dimensions - in (mm)



PSU1-WH

Specifications

Description:

Depluggable rail mount sectional terminal block.

Rating: 45A*, 600V

*45A rating achieved with ring terminal crimped to wire.

Center Spacing: 0.625" (15.88 mm)

Number of Poles: 1-3

Part Number:

- PSU1 (1-pole)
- PSU11 (2-pole)
- PSU111 (3-pole)

Circuits Per Foot: 19

Wire Range: For use with crimp on connectors only.

Screw Size: #10-32

Mounting Options: C-rail, Stackable

Marking Tape: MT12-1-2

Torque Rating: 24 lb-in

Operating Temperature: 105°C

Agency Information: UL File E62622, CSA File 15364

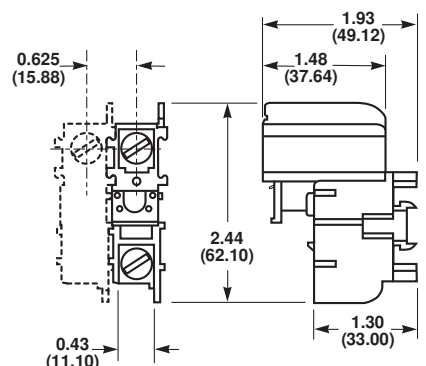


Catalog Numbers

Catalog

Number	Poles	Color
PSU1-WH	1	White
PSU11-WH	2	White
PSU111-WH	3	White

Dimensions - in (mm)



Sectional Terminal Blocks

KT3-__ (color)

Specifications

Description:

Depluggable rail mount sectional terminal block.

Rating: 40A, 600V

Center Spacing: 0.390" (9.91mm)

Number of Poles: 3

Circuits Per Foot: 28

Circuit Jumper: JN3, 2 circuits

Wire Range: AWG #8-22 Cu

Screw Size: #8-32

Mounting Options: Base Mount, Stackable

Marking Tape: MT12-1-2

Torque Rating: 18 lb-in

Operating Temperature: 105°C

Agency Information: UL File E62622, CSA File 15364

Catalog Numbers

Catalog

Number	Color
KT3-WH	White
KT3-BK	Black
KT3-RE	Red



KT4-__ (color)

Specifications

Description:

Depluggable rail mount sectional terminal block.

Rating: 30A, 600V

Center

Spacing: 0.25" (6.35mm)

Number of Poles: 4

Part Number:

- KT4-WH-A
- KT4-WH-B

Note: When used in series must order A and B

Circuits Per Foot: 48

Circuit Jumper: JN4, 4 circuits

Wire Range: AWG #10-22 Cu

Screw Size: #6-32

Mounting Options: Base Mount

Mounting screws recommended every 12 circuits

Marking Tape: MTC6

Torque Rating: 18 lb-in

Operating Temperature: 105°C

Agency Information: UL File E62622, CSA File 15364

Catalog Numbers

Catalog

Number	Color
KT4-WH	White
KT4-BK	Black



PLK3-WH

Specifications

Description:

Depluggable rail mount sectional terminal block.

Rating: 40A, 600V

Center

Spacing: 0.39" (9.91mm)

Number of Poles: 3

Circuits Per Foot: 28

Circuit Jumper: JN3, 2 circuits

Wire Range: AWG #8-22 Cu

Screw Size: #8-32

Mounting Options: Base Mount,

Stackable; End Piece (Part No. KAD)

is required for mounting. Mounting screws recommended every 15 circuits.

Marking Tape: MT12-1-2

Torque Rating: 18 lb-in

Operating Temperature: 105°C

Agency Information: UL File E62622

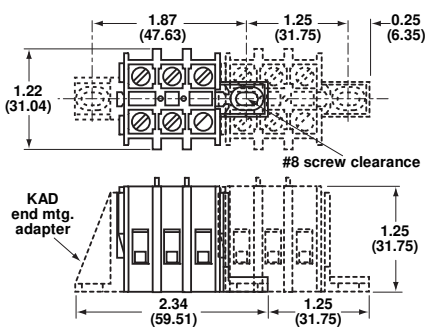
Catalog Numbers

Catalog

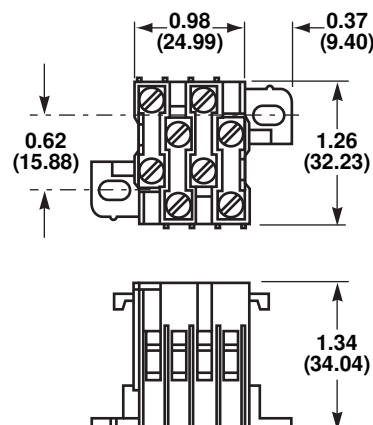
Number	Color
PLK3-WH	White



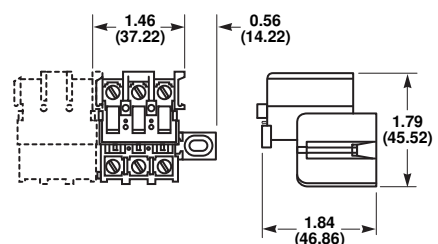
Dimensions - in (mm)



Dimensions - in (mm)



Dimensions - in (mm)



Quick-connect Terminal Blocks

NTQ23-WH

Specifications

Description:

Quick-connect terminal block.

Rating: 40A, 600V

Center Spacing: 0.390" (9.91mm)

Number of Poles: 3

Circuits Per Foot: 28

Wire Range: AWG #8-22 Cu

Screw Size: #8-32

Quick Connects: 0.250" x 0.031"

Mounting Options: C-rail

Marking Tape: MT12-1-2

Torque Rating: 18 lb-in

Operating Temperature: 105°C.



Catalog Numbers

Catalog

Number	Color
NTQ23-WH	White

BNQ21-WH

Specifications

Description: Quick-connect terminal block.

Rating: 40A, 600V

Center Spacing: 0.437" (11.10mm)

Number of Poles: 1

Circuits Per Foot: 24

Wire Range: AWG #8-22 Cu

Screw Size: #8-32

Quick Connects: 0.250" x 0.031"

Mounting Options: Base Mount Stackable; End Piece (Part No. BQE) is required for mounting. Mounting screws recommended every 8 circuits.

Torque Rating: 18 lb-in

Operating Temperature: 105°C

Screw Size: #8-32

Agency Information: UL File E62622, CSA File 15364



Catalog Numbers

Catalog

Number	Color
BNQ21-WH	White

BQQ41-WH

Specifications

Description:

Quick-connect terminal block.

Rating: 30A, 600V

Center Spacing: 0.437" (11.10mm)

Number of Poles: 1

Circuits Per Foot: 24

Wire Range: For use with quick-connect terminals only.

Quick Connects: 0.250" x 0.031"

Mounting Options: Base Mount, Stackable; End Piece (Part No. BQE) is required for mounting. Mounting screws recommended every 8 circuits.

Operating Temperature: 105°C

Agency Information: UL File E62622, CSA File 15364

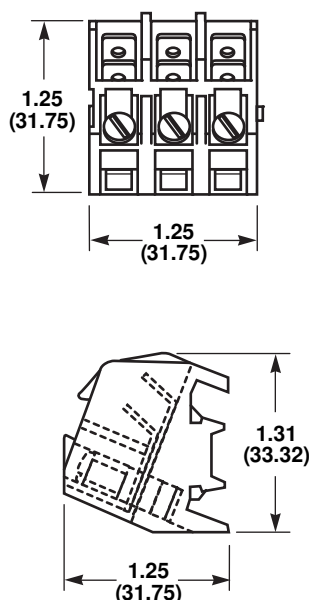


Catalog Numbers

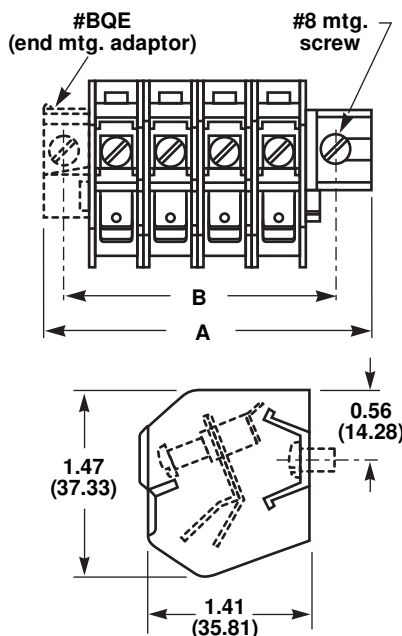
Catalog

Number	Color
BQQ41-WH	White

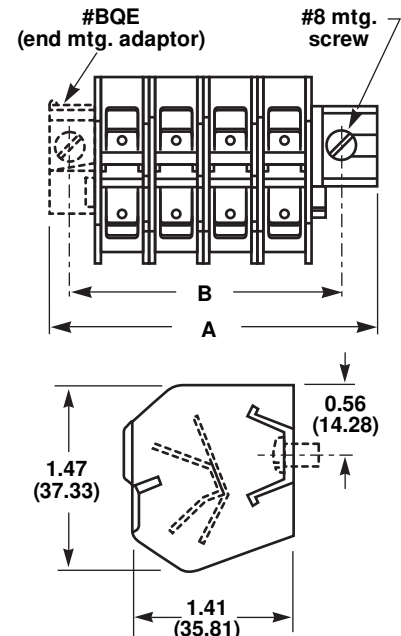
Dimensions - in (mm)



Dimensions - in (mm)



Dimensions - in (mm)



Double Row Terminal Blocks

Series TB100

Specifications

Description: Double row terminal blocks.

Rating: 30A, 300V*

Center Spacing: 0.375" or 3/8" (9.52mm)

Wire Range: #14 - 22 AWG Cu

Screw Size: #6-32 phillslot screws

Torque Rating: 9 lb-in.

Distance Between Barriers: 0.30" (7.62mm)

Mounting: #6 screws

Operating Temperature: 130°C (266°F) max., -40°C (-40°F) min.

Materials: Molded base: Black, UL rated 94V0 thermoplastic

Terminal plating: Tin over brass; Screws: Zinc-plated steel

Breakdown Voltage: 3600V

Agency Information: UL File E62622/CSA File 47235; IEC Compliance; CE Certified

* Max rating shown; some options may be rated lower, consult Cooper Bussmann.



TB100-08



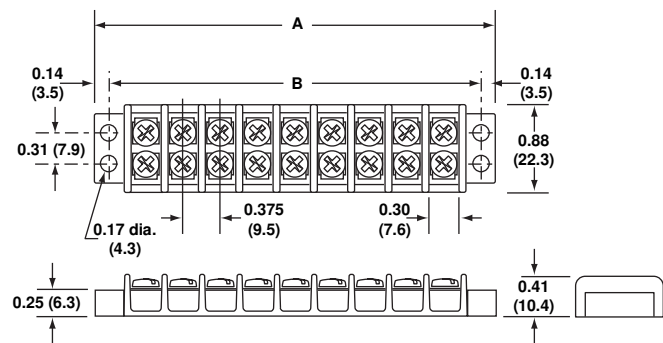
TB100-04SP

Dimensions - in

Poles	A	B	Poles	A	B	Poles	A	B
02	1.40	1.12	14	5.90	5.62	26	10.40	10.12
03	1.78	1.50	15	6.28	6.00	27	10.78	10.50
04	2.16	1.88	16	6.66	6.38	28	11.16	10.88
05	2.53	2.25	17	7.03	6.75	29	11.53	11.25
06	2.90	2.62	18	7.40	7.12	30	11.90	11.62
07	3.28	3.00	19	7.78	7.50	31	12.28	12.00
08	3.66	3.38	20	8.16	7.88	32	12.66	12.38
09	4.03	3.75	21	8.53	8.25	33	13.03	12.75
10	4.40	4.12	22	8.90	8.62	34	13.40	13.12
11	4.78	4.50	23	9.28	9.00	35	13.78	13.50
12	5.16	4.88	24	9.66	9.38	36	14.16	13.88
13	5.53	5.25	25	10.03	9.75			

1" = 25.4mm.

TB100- in (mm)

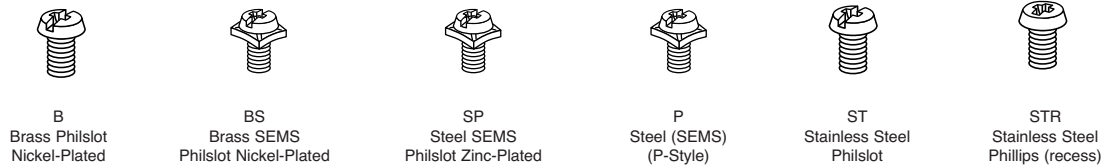


Catalog Number Build-A-Code

Series	Poles	Screw Options	Marking/Cover	Hardware Options
TB100	□ □ 02 to 36	□ □ □ Blank = Steel phillslot, zinc-plated 00 = Screws shipped bulk B = Brass phillslot, nickel-plated BS = Brass Sems phillslot, nickel-plated SP = Steel Sems phillslot, zinc-plated P = Steel Sems (P-style) ST = Stainless steel, phillslot STR = Stainless steel, phillips (recess)	□ □ L1 to L6 Marking Strips (See page 318) Special Markings (See page 318) Covers (See page 318)	□ □ □ □ QC1 to QC20 = Quick connects J101 = Flat slip-on jumper (2 position only) OJ2 = Over barrier jumpers OJ4 = Over barrier jumpers

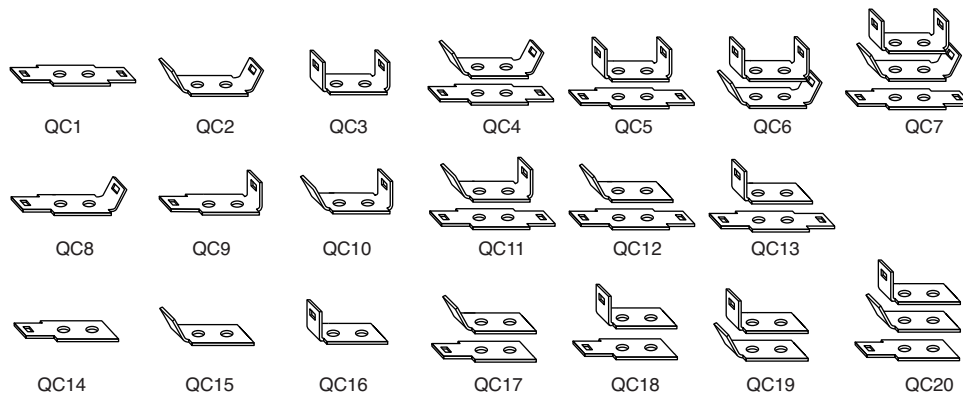
Double Row Terminal Blocks

Screw Options

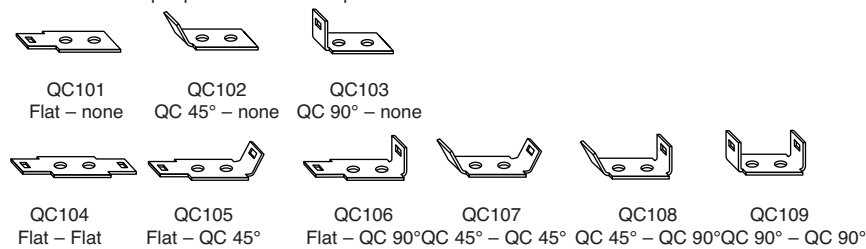


Hardware Options

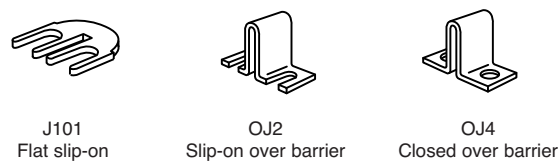
Quick Connects – Assembled: Terminals 0.187" x 0.020". Maximum current rating 13 amps. For other orientations, contact Cooper Bussmann.



Quick Connects – Bulk: minimum order per part number – 100 pieces.



Jumpers – Bulk: minimum order per part number – 100 pieces. Contact Cooper Bussmann for jumper assembly.



Double Row Terminal Blocks

Series TB200 & TB200HB

Specifications

Description: Double row terminal blocks.

Ratings:

Volts: — 300V* (TB200)
— 600V* (TB200HB)

Amps: — 30A*

Center Spacing: 0.437" or 7/16" (11.10mm)

Wire Range: #12 - 22 AWG Cu

Screw Size: #6-32 phillslot screws

Torque Rating: 9 lb-in.

Distance Between Barriers: 0.353" (8.97mm)

Mounting: #6 screws

Operating Temperature: 130°C (266°F) max., -40°C (-40°F) min.

Materials: Molded base: Black, UL rated 94V0 thermoplastic

Terminal plating: Tin over brass; Screws: zinc-plated steel

Breakdown Voltage: 4800V

Agency Information: UL File E62622, CSA File 47235 & 15364; IEC Compliance; CE Certified

* Max rating shown; some options may be rated lower - consult factory.

Dimensions - in

Poles	A	B	Poles	A	B	Poles	A	B
02	1.63	1.31	12	6.00	5.68	22	10.37	10.06
03	2.07	1.75	13	6.44	6.12	23	10.81	10.50
04	2.51	2.18	14	6.87	6.56	24	11.25	10.93
05	2.94	2.62	15	7.31	7.00	25	11.68	11.37
06	3.38	3.06	16	7.75	7.43	26	12.12	11.81
07	3.82	3.50	17	8.19	7.87	27	12.56	12.25
08	4.25	3.93	18	8.62	8.31	28	13.00	12.68
09	4.69	4.37	19	9.06	8.75	29	13.44	13.12
10	5.13	4.81	20	9.50	9.18	30	13.87	13.56
11	5.57	5.25	21	9.94	9.62			

1" = 25.4mm.

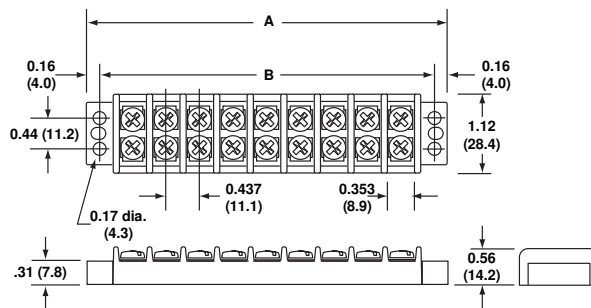


TB200-10SP

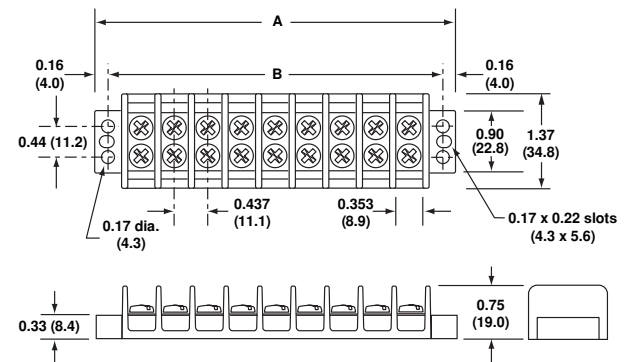


TB200HB-06

TB200 - in (mm)



TB200HB

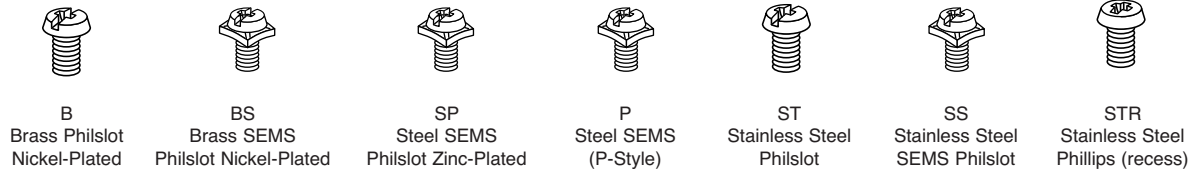


Catalog Number Build-A-Code

Series	Poles	Screw Options	Marking/Cover	Hardware Options
TB <input type="checkbox"/> <input type="checkbox"/> <input type="checkbox"/> <input type="checkbox"/> <input type="checkbox"/> - <input type="checkbox"/> <input type="checkbox"/>	02 to 30	<input type="checkbox"/> <input type="checkbox"/> <input type="checkbox"/>	<input type="checkbox"/> <input type="checkbox"/>	<input type="checkbox"/> <input type="checkbox"/> <input type="checkbox"/> <input type="checkbox"/>
200 = Standard 200HB = High barrier	Blank = Steel phillslot, zinc-plated 00 = Screws shipped bulk B = Brass phillslot, nickel-plated BS = Brass Sems phillslot, nickel-plated SP = Steel Sems phillslot, zinc-plated P = Steel Sems (P-style) ST = Stainless steel, phillslot SS = Stainless steel Sems, phillslot STR = Stainless steel, phillips (recess)	L1 to L6 Marking Strips (See page 318) Special Markings (See page 318) Covers (See page 318)	QC1 to QC20 = Quick connects J201 = Flat slip-on jumper (2 position only) 0J3 = Over barrier jumpers 0J5 = Over barrier jumpers 0J7 = Over barrier jumpers	

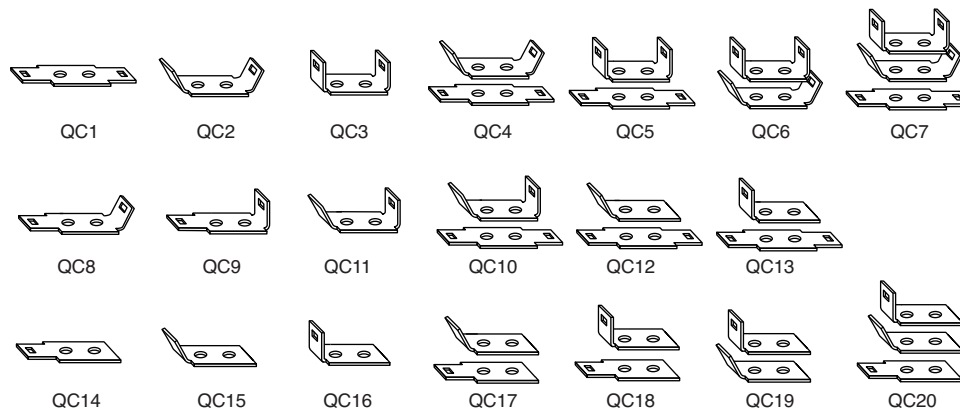
Double Row Terminal Blocks

Screw Options

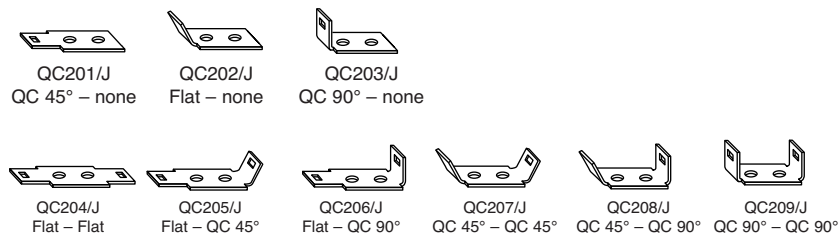


Hardware Options

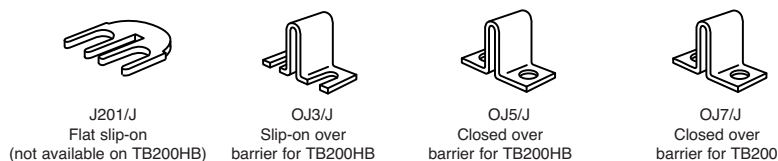
Quick Connects – Assembled: Terminals 0.25" x 0.031". Maximum current rating 20 amps. For other orientations, contact Cooper Bussmann.



Quick Connects – Bulk: minimum order per part no. – 100 pieces.



Jumpers – Bulk: minimum. order per part no. – 100 pieces. Contact Cooper Bussmann for jumper assembly.



Double Row Terminal Blocks

Series TB300 & TB345

Specifications

Description: Double row terminal blocks.

Ratings:

- Volts: — 600V*
- Amps: — 30A* (TB300)
- 45A (TB345)

Center Spacing: 0.562" or 9/16" (14.28mm)

Wire Range: #8 - 22 AWG Cu

Screw Size: TB300 — #8-32 philslot screws
TB345 — #10-32 philslot screws

Torque Rating: #8 screws - 16 lb-in. ;
#10 screws - 20 lb-in.

Distance Between Barriers: 0.41" (10.5mm)

Mounting: TB300 — #8 screws; TB345 — #10 screws

Operating Temperature: 130°C (266°F) max., -40°C (-40°F) min.

Material: Molded base: Black, UL rated 94V0 thermoplastic

Terminal plating: Tin over brass; Screws: zinc-plated steel

Breakdown Voltage: 7500V

Agency Information: UL File E62622, CSA File 47235; IEC Compliance; CE Certified

* Max rating shown; some options may be rated lower - consult Cooper Bussmann.

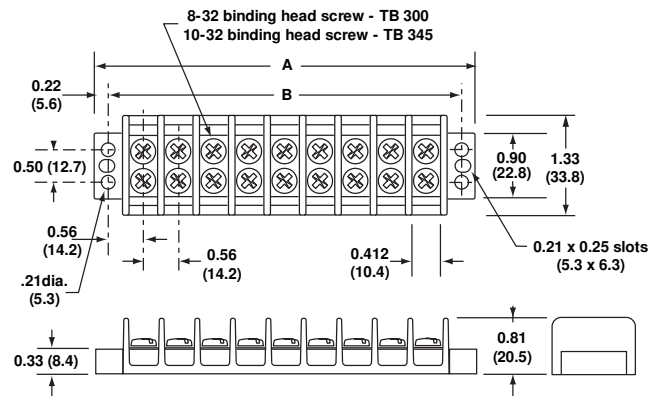
Dimensions - in

Poles	A	B	Poles	A	B	Poles	A	B
02	2.13	1.69	10	6.62	6.19	18	11.12	10.68
03	2.69	2.25	11	7.18	6.75	19	11.68	11.25
04	3.25	2.81	12	7.75	7.31	20	12.24	11.81
05	3.81	3.37	13	8.31	7.87	21	12.80	12.37
06	4.37	3.94	14	8.87	8.44	22	13.37	12.93
07	4.94	4.50	15	9.43	9.00	23	13.93	13.50
08	5.50	5.06	16	9.99	9.56	24	14.49	14.06
09	6.06	5.62	17	10.56	10.12			

1" = 25.4mm.



TB300 & TB345 - in (mm)

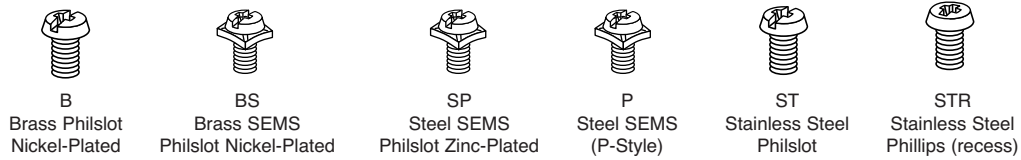


Catalog Number Build-A-Code

Series	Poles	Screw Options	Marking/Cover	Hardware Options
TB <input type="checkbox"/> <input type="checkbox"/> <input type="checkbox"/> - <input type="checkbox"/> <input type="checkbox"/>	<input type="checkbox"/> <input type="checkbox"/>	<input type="checkbox"/> <input type="checkbox"/> <input type="checkbox"/>	<input type="checkbox"/> <input type="checkbox"/>	<input type="checkbox"/> <input type="checkbox"/> <input type="checkbox"/> <input type="checkbox"/>
300 = 8-32 screw 345 = 10-32 screw	02 to 24	Blank = Steel philslot, zinc-plated 00 = Screws shipped bulk B = Brass philslot, nickel-plated BS = Brass Sems philslot, nickel-plated (TB300 only) SP = Steel Sems philslot, zinc-plated P = Steel Sems (P-style) ST = Stainless steel, philslot STR = Stainless steel, phillips (recess)	L1 to L6 Marking Strips (pg 318) Special Markings (pg 318) Covers (pg 318)	QC1 to QC20 = Quick connects (TB300 only) J301 = Flat slip-on jumper OJ6 = Over barrier jumper OJ11 = Over barrier jumper

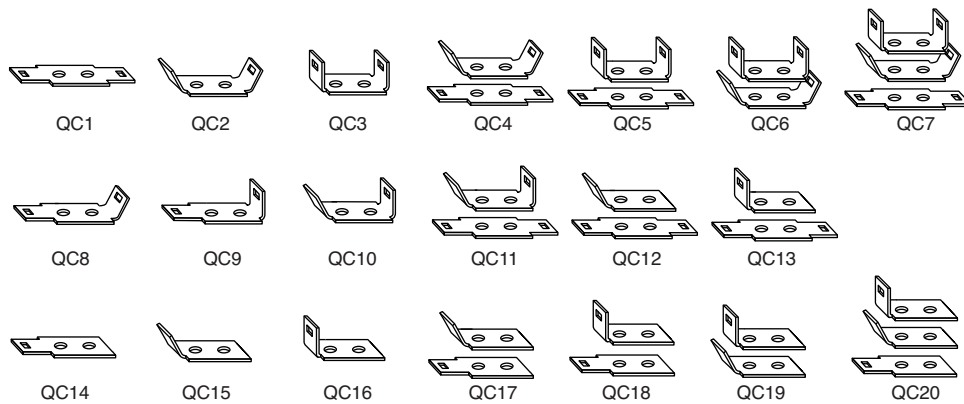
Double Row Terminal Blocks

Screw Options

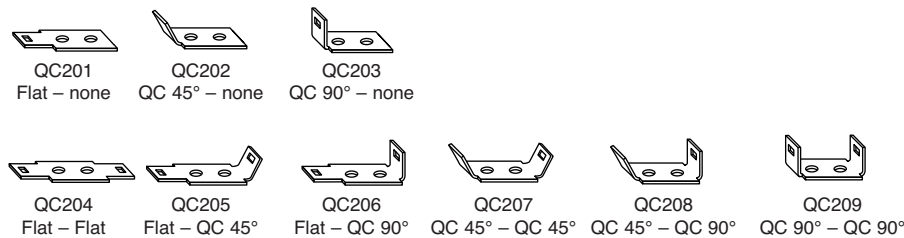


Hardware Options

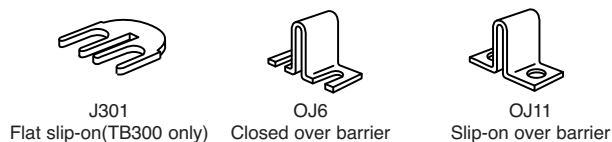
Quick Connects – Assembled: TB300 only. Terminals 0.25" x 0.031". Maximum current rating 20 amps. For other orientations, contact Cooper Bussmann.



Quick Connects – Bulk: (*TB300 only) minimum order per part number. – 100 pieces.



Jumpers – Bulk: minimum order per part number – 100 pieces. Contact Cooper Bussmann for jumper assembly.

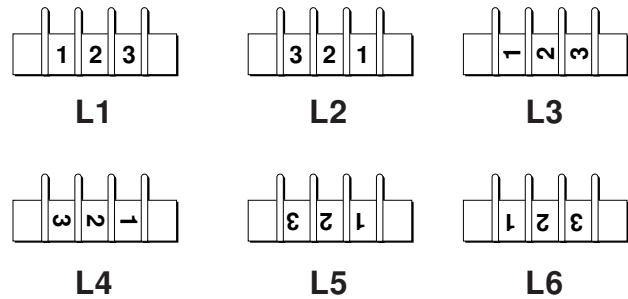


Marking Options and Covers for Double Row Series

Standard Marking

Standard markings are applied directly to the side(s) of a block. Standard color is white. Standard height is 0.125 inches (3.17mm).

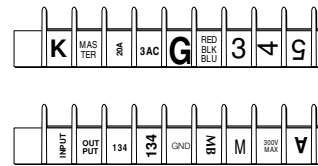
Note: Blocks marked on both sides require a different code for each side. Example Style L1 on one side of the block requires Style L2 on the other side to ensure common terminal marking. To order, add appropriate suffix (L1, L2, L3, L4, L5 and/or L6) to block catalog number in the proper sequence.



Special Marking

Special markings are available at an additional charge for preparation. Production charges for setup, handling and marking are the same as for standard marking. Drawing(s) must be submitted to ensure accuracy of part required. Consult Cooper Bussmann for price and delivery.

Note: Marking is not available on TB400 Series

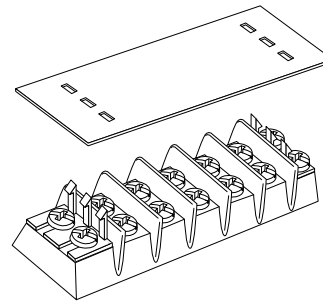


Covers

Covers prevent personnel, screws and foreign items from contacting live terminals. Available in white or clear plastic. Two cover clips supplied with each cover. Cover width is 1.31 inches (33.3mm).

All covers must be ordered separately. Consult Cooper Bussmann for special legends.

Example: 10 position cover, white, TB100 Series, no legends = Catalog Number **X12010**.



Catalog Number Build-A-Code

Series	Cover Strip	Poles	High Barrier Option Only	Cover Clips – Bulk
X	□ □ □ 120 - TB100/white 119 - TB100/clear 220 - TB200/TB200HB - white 219 - TB200/TB200HB - clear 320 - TB300 & TB345 - white 319 - TB300 & TB345 - clear	□ □ 02 to 36 (TB100) 02 to 30 (TB200/TB200HB) 02 to 24 (TB300/TB345)	□ □ HB = High Barrier Example: 10 position cover, white, TB100 Series, no legends . . . Part number is X12010.	Part Number DD1-J – TB100 Series DD2-J – TB200 Series DD2HB-J –TB200HB Series DD3-J – TB300 Series

Note: Covers are not available on TB400 Series.

Top & Bottom Marking Strips for Double Row Terminal Blocks

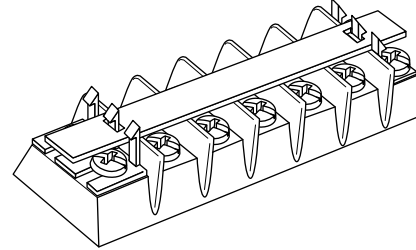
Top Marker Strips

Top mounting marker strips are available in white (opaque) plastic. Two cover clips are supplied with each marker strip.

All top marker strips must be ordered separately. Consult factory for special legends.

Example: 12 position cover, TB200, 0.032" x 0.312", with no legends = Catalog Number **X20312**.

Example: 12 position cover, TB200HB, 0.06" x 0.50", with no legends = Catalog Number **X23312HB**.



Catalog Number Build-A-Code

Series	Top Marker Strip	Poles	High Barrier Option Only
X	<input type="checkbox"/> <input type="checkbox"/> <input type="checkbox"/>	<input type="checkbox"/> <input type="checkbox"/>	<input type="checkbox"/> <input type="checkbox"/>
	133 - TB100 (0.060 thk x 0.500 w) 103 - TB100 (0.032 thk x 0.312 w) 233 - TB200 (0.060 thk x 0.500 w) 233TB - TB200HB (0.060 thk x 0.500 w) 203 - TB200 (0.032 thk x 0.312 w) 203HB - TB200HB (0.032 thk x 0.312 w) 333 - TB300 & TB345 (0.060 thk x 0.500 w) 303 - TB300 & TB345 (0.032 thk x 0.380 w) Note: Marking Strips are not available on TB400 Series	02 to 36 (TB100) 02 to 30 (TB200/TB200HB) 02 to 24 (TB300/TB345)	HB = High Barrier Example: 12 position cover, TB200HB, 0.060" x 0.500", with no legends... Part No. is X23312HB.

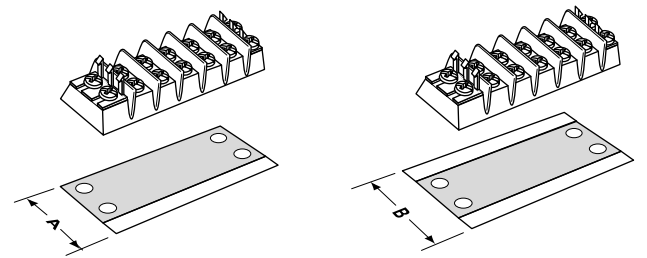
Bottom Marker Strips

Bottom mounting marker strips are made of black PVC, 0.030" thick. Space is available to handle most marking situations. All marker strips must be ordered separately.

To order, specify part number, required legends and (BF) bottom forward, (BR) bottom reverse, (TF) top forward, or (TR) top reverse. Consult factory for specials.

Example: 13 position strip, TB100 with no legends, space for marking one side = Catalog Number **X10513**.

Position for legends (one side, two sides) can be specified standard. Standard legend height is 0.125". Standard leg-ends are 0-99 and A-Z. Special legends are available on special order. Drawing(s) must be submitted to ensure accuracy of part required.



Space for marking one side Space for marking two sides

Dimensions (in)

Dim.	TB100	TB200	TB200HB	TB300	TB345	TB400
A	1.13	1.37	1.62	1.58	1.58	N/A
B	1.38	1.62	1.81	1.81	1.81	N/A

Catalog Number Build-A-Code

Series	Bottom Marker Strip	Poles	High Barrier Option Only	Orientation
X	<input type="checkbox"/> <input type="checkbox"/> <input type="checkbox"/>	<input type="checkbox"/> <input type="checkbox"/>	<input type="checkbox"/> <input type="checkbox"/>	<input type="checkbox"/> <input type="checkbox"/>
	105 = TB100/markings one side 101 = TB100/markings both sides 205 = TB200/markings one side 201 = TB200/markings both sides 295 = TB200HB/markings one side 291 = TB200HB/markings both sides 305 = TB300 & TB345/markings one side 301 = TB300 & TB345/markings both sides Note: Marking Strips are not available on TB400 Series.	02 to 36 (TB100) 02 to 30 (TB200/TB200HB) 02 to 24 (TB300/TB345)	HB = High Barrier	BF = Bottom forward BR = Bottom reverse TF = Top forward TR = Top reverse

Double Row Terminal Blocks

Series TB400

Specifications

Description: Double row terminal blocks.

Ratings:

Volts: — 600V

Amps: — 75A

Center Spacing: 0.687" or 11/16" (17.45mm)

Wire Range: #6-14 AWG Cu

Screw Size: #10-32 philslot screws

Torque Rating: 20 lb-in.

Distance Between Barriers: 0.56" (14.3mm)

Mounting: #10 screws

Operating Temperature: 130°C (266°F) max., -40°C (-40°F) min.

Material: Molded base: Black, UL rated 94V0 thermoplastic

Terminal plating: Tin over brass; Screws: zinc-plated steel

Breakdown Voltage: 7500V

Agency Information: UL File E62622, CSA File 47235; IEC Compliance; CE Certified

Dimensions - in

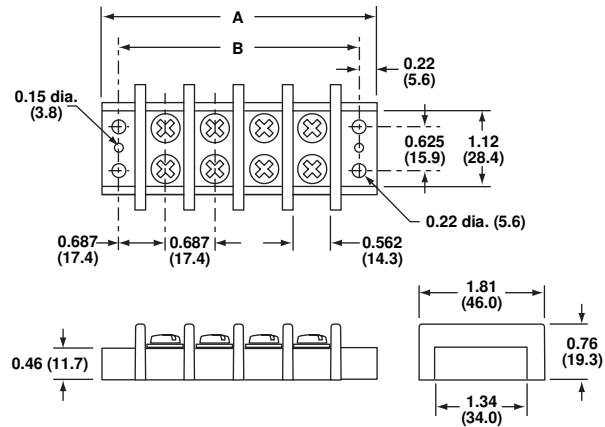
Poles	A	B	Poles	A	B	Poles	A	B
02	2.51	2.06	06	5.26	4.81	10	8.01	7.56
03	3.20	2.75	07	5.95	5.50	11	8.70	8.25
04	3.89	3.44	08	6.64	6.19	12	9.39	8.94
05	4.58	4.13	09	7.33	6.88			

1" = 25.4mm.



TB400-05

TB400 - in (mm)



Screw Options



B
Brass Philslot
Nickel-Plated



ST
Stainless Steel
Philslot



STR
Stainless Steel
Phillips (recess)

Hardware Options



OJ14: Closed over barrier

Catalog Number Build-A-Code

Series	Poles	Screw Options	Marking	Hardware Options
TB400	-	<input type="checkbox"/> <input type="checkbox"/>	<input type="checkbox"/> <input type="checkbox"/> <input type="checkbox"/>	
	02 to 12	Blank = Steel philslot, zinc-plated 00 = Screws shipped bulk B = Brass philslot, nickel-plated ST = Stainless steel, philslot STR = Stainless steel, phillips (recess)	Not available	OJ14† - Jumper over barrier

†Contact factory for pole configuration.

Base Mount Double Row Terminal Blocks

Series KU

Specifications

Description: Base mount double row terminal blocks.

Ratings:

Volts: — 600V

Amps: — 60A*

Center Spacing: 0.625" (15.88mm)

Number of Poles: 2- to 12-poles

Wire Range: #6-22 AWG Cu

Screw Size: #10-32

Torque Rating: 20 lb-in.

Distance Between Barriers: 0.437" (11.09mm)

Mounting: Base mount

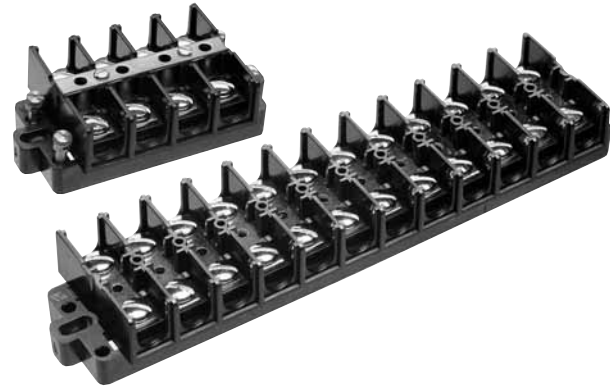
Material: Molded base: Black, UL rated 94V1 Nuclear Grade Noryl

Terminal plating: Nickel over brass

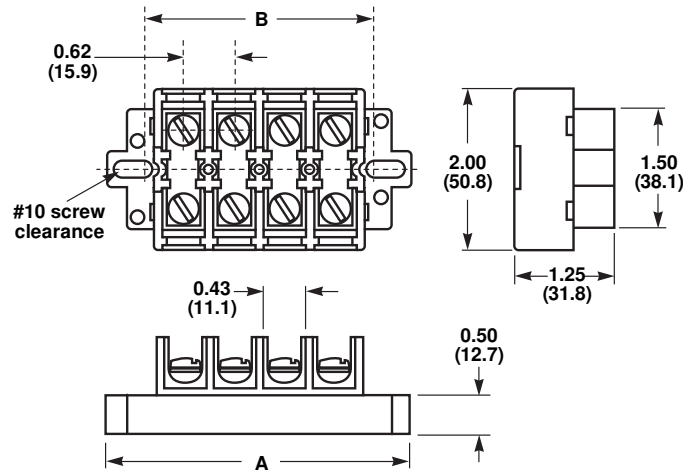
Operating Temperature: 105°C max.

Agency Information: UL File E62622, CSA File 47235

* 60A rating achieved with #6 copper wire crimped to ring terminal.



Series KU - in (mm)



Dimensions - in

Poles	KU		KUX Only
	A	B	A
02	2.50	1.62	2.00
03	3.12	2.25	2.62
04	3.75	2.87	3.25
05	4.37	3.50	3.87
06	5.00	4.12	4.50
07	5.62	4.75	5.12
08	6.25	5.37	5.75
09	6.87	6.00	6.37
10	7.50	6.62	7.00
11	8.12	7.25	7.62
12	8.75	7.87	8.25

1" = 25.4mm.

Catalog Number Build-A-Code

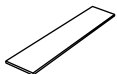
Series	Poles	Screw Options	Covers	Marking Strip
<input type="checkbox"/> <input type="checkbox"/> <input type="checkbox"/> <input type="checkbox"/> <input type="checkbox"/>	<input type="checkbox"/> <input type="checkbox"/> - <input type="checkbox"/> <input type="checkbox"/>	<input type="checkbox"/> <input type="checkbox"/> <input type="checkbox"/> <input type="checkbox"/>	<input type="checkbox"/> <input type="checkbox"/>	<input type="checkbox"/> <input type="checkbox"/> <input type="checkbox"/>
KU = Standard block KUH = Block KUX = Short block KURL = Standard w/removable link KUXRL = Short block w/removable link	02 to 12	00 = Screws shipped bulk W = Brass washer head, nickel-plated P = Steel screw w/pressure plate zinc-plated B = Brass washer head, no plating BP = Brass phislot, nickel-plated	WC = Top cover & 2 end plates	MT = Matte finish NU = Numbered 1 to 12, horizontal NUV = Numbered 1 to 12, vertical PT = Marker strip for cover

Catalog Number - SC Series

KUSC = Standard w/shorting strap & 4 shorting screws KUXSC = Short block w/shorting strap & 4 Shorting screws	02 to 12	00 = Screws shipped bulk W = Brass washer head, nickel-plated P = Steel screw w/pressure plate zinc-plated B = Brass washer head, no plating BP = Brass phislot, nickel-plated	WC = Top cover & 2 end plates	PT* = Marker strip for cover
--	----------	--	-------------------------------	------------------------------

*Requires WC cover option

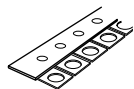
Accessories



MTMU#
Molded Marking Tape
Matte Finish



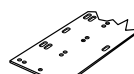
NUM#
Molded Marking Tape



JU12
Jumper
12 Circuits



NUE
End Piece for NUC



NUC#
Cover

Standard Base Terminal Blocks

Series TS — 8.0, 10.0, 12.0, 13.5mm centers

Specifications

Description: 8, 10, 12 and 13.5mm center, standard base terminal blocks.

Construction: Mold to length polyamide type 6/6 housing, nickel-plated brass contacts and stainless steel wire protector.

Ratings:

- Volts: — 600V
- Amps: — 20A (TS08)
- 30A (TS10)
- 35A (TS12)
- 50A (TS14)

Wire Range: See Specifications Table

Housing Material: Polyamide Type 6/6, 94V2 (white)

Contact Material: Nickel-Plated Brass

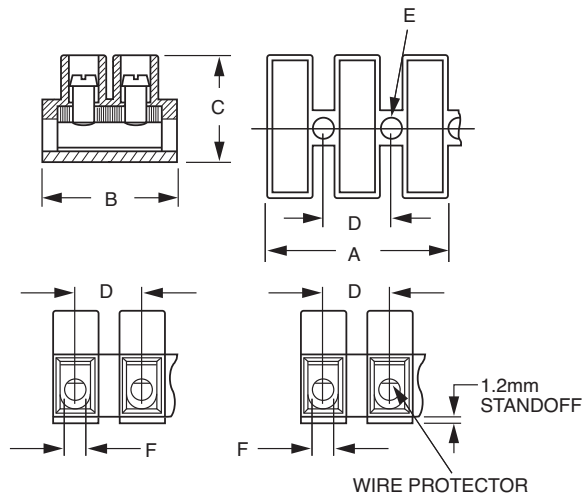
Wire Protector: Stainless Steel

Screw Size: See Specifications Table

Operating Temperature: 105°C (221°F) max., -30°C (-22°F) min.

Torque Rating: See Specifications Table

Agency Information: UL File E62622; CE Certified



A Dimensions - in (mm)

Poles	TS08	TS10	TS12	TS14
2	0.622 (15.8)	0.689 (17.5)	0.815 (20.7)	0.906 (23.0)
3	0.937 (23.8)	1.083 (27.5)	1.287 (32.7)	1.437 (36.5)
4	1.252 (31.8)	1.476 (37.5)	1.760 (44.7)	1.969 (50.0)
5	1.567 (39.8)	1.870 (47.5)	2.232 (56.7)	2.500 (63.5)
6	1.882 (47.8)	2.264 (57.5)	2.705 (68.7)	3.031 (77.0)
7	2.232 (55.8)	2.657 (67.5)	3.177 (80.7)	3.563 (90.5)
8	2.512 (63.8)	3.051 (77.5)	3.650 (92.7)	4.094 (104.0)
9	2.827 (71.8)	3.445 (87.5)	4.122 (104.7)	4.626 (117.5)
10	3.142 (79.8)	3.839 (97.5)	4.594 (116.7)	5.157 (131.0)
11	3.457 (87.8)	4.232 (107.5)	5.067 (128.7)	5.689 (144.5)
12	3.772 (95.8)	4.626 (117.5)	5.539 (140.7)	6.220 (158.0)

Specifications

Position	Torque in-lb	Clamping Area (mm ²)	Wire Range AWG (Cu)	Screw	B (mm)	C (mm)	D (mm)	E (mm)	F (mm)
TS0801	3.5	4.0	22-12 Sol./Str.	M2.6x5	0.67 (17.0)	0.57 (14.5)	0.32 (8.0)	0.11 (2.9)	0.11 (2.8±0.1)
TS0802	3.5	1.5	22-12 Sol./Str.	M2.6x5	0.67 (17.0)	0.57 (14.5)	0.32 (8.0)	0.11 (2.9)	0.11 (2.8±0.1)
TS1001	4.4	6.0	22-10 Sol., 14-10 Str.	M3.0x6	0.80 (20.2)	0.67 (17.0)	0.39 (10.0)	0.14 (3.6)	0.13 (3.4±0.1)
TS1002	4.4	2.5	22-12 Sol./Str, 10 Sol.	M3.0x6	0.80 (20.2)	0.67 (17.0)	0.39 (10.0)	0.14 (3.6)	0.13 (3.4±0.1)
TS1201	7.0	10.0	22-10 Sol./Str.	M3.5x7	0.94 (23.8)	0.75 (19.0)	0.47 (12.0)	0.14 (3.9)	0.15 (4.2±0.1)
TS1202	7.0	6.0	22-10 Sol./Str.	M3.5x7	0.94 (23.8)	0.75 (19.0)	0.47 (12.0)	0.15 (3.9)	0.15 (4.2±0.1)
TS1401	12.0	16.0	20-8 Sol./Str.	M4.0x9	1.01 (25.6)	0.99 (25.2)	0.53 (13.5)	0.17 (4.4)	0.19 (5.0±0.1)
TS1402	12.0	10.0	20-8 Sol./Str.	M4.0x9	1.01 (25.6)	0.99 (25.2)	0.53 (13.5)	0.17 (4.4)	0.19 (5.0±0.1)

Catalog Number Build-A-Code

Series	Base	Poles
TS	<input type="checkbox"/> <input type="checkbox"/>	<input type="checkbox"/> <input type="checkbox"/>
	08 = 20A 10 = 30A 12 = 35A 14 = 50A	01 = Standard 02 = Standard w/ wire protector
		<input type="checkbox"/> <input type="checkbox"/>
		02 to 12

Flat Base Terminal Blocks

Series TS — 8.0, 10.0mm centers

Specifications

Description: 8 and 10mm center, flat base terminal blocks.

Construction: Mold to length polyamide type 6/6 housing, nickel-plated brass contact and stainless steel wire protector.

Ratings:

- Volts: — 600V
- Amps: — 20A (TS08)
- 30A (TS10)

Wire Range: See Specification Table

Housing Material: Polyamide Type 6/6, 94V2 (white)

Contact Material: Nickel-Plated Brass

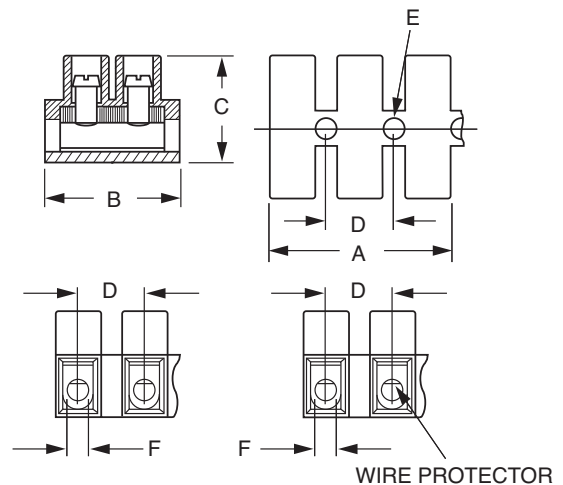
Wire Protector: Stainless Steel

Screw Size: See Specification Table

Operating Temperature: 105°C (221°F) max., -30°C (-22°F) min.

Torque Rating: See Specification Table

Agency Information: UL File E62622; CE Certified



A Dimensions - in (mm)

Poles	TS08	TS10
2	0.622 (15.8)	0.689 (17.5)
3	0.937 (23.8)	1.083 (27.5)
4	1.252 (31.8)	1.476 (37.5)
5	1.567 (39.8)	1.870 (47.5)
6	1.882 (47.8)	2.264 (57.5)
7	2.232 (55.8)	2.657 (67.5)
8	2.512 (63.8)	3.051 (77.5)
9	2.827 (71.8)	3.445 (87.5)
10	3.142 (79.8)	3.839 (97.5)
11	3.457 (87.8)	4.232 (107.5)
12	3.772 (95.8)	4.626 (117.5)

Specifications

Position	Torque in-lb	Clamping Area (mm ²)	Wire Range AWG (Cu)	Screw	Dimensions - in (mm)					
					B	C	D	E	F	
TS0803	3.5	4.0	22-12 Sol./Str.	M2.6x5	0.64 (16.3)	0.53 (13.3)	0.32 (8.0)	0.11 (2.9)	0.11 (2.8±0.1)	
TS0804	3.5	1.5	22-12 Sol./Str.	M2.6x5	0.64 (16.3)	0.52 (13.3)	0.32 (8.0)	0.11 (2.9)	0.11 (2.8±0.1)	
TS1003	4.4	6.0	22-10 Sol., 14-10 Str.	M3.0x6	0.80 (20.2)	0.62 (15.8)	0.39 (10.0)	0.14 (3.6)	0.13 (3.2±0.1)	
TS1004	4.4	2.5	22-12 Sol./Str., 10 Sol.	M3.0x6	0.80 (20.2)	0.62 (15.8)	0.39 (10.0)	0.14 (3.6)	0.13 (3.2±0.1)	

Catalog Number Build-A-Code

Series	Base	Poles	
TS	<input type="checkbox"/> <input type="checkbox"/>	<input type="checkbox"/> <input type="checkbox"/>	<input type="checkbox"/> <input type="checkbox"/>
	08 = 20A	03 = Flat	02 to 12
	10 = 30A	04 = Flat w/ wire protector	

Raised Base Terminal Blocks

Series TS - 8.0, 10.0mm centers

Specifications

Description: 8 and 10mm center, raised base terminal blocks.

Construction: Mold to length polyamide type 6/6 housing, nickel-plated brass contacts and stainless steel wire protector.

Ratings:

Volts: — 600V
 Amps: — 20A (TS08)
 — 30A (TS10)

Wire Range: See Table

Housing Material: Polyamide Type 6/6, 94V2 (white)

Contact Material: Nickel-plated Brass

Wire Protector: Stainless Steel

Screw Size: See Table

Operating Temperature: 105°C (221°F) max.,
 -30°C (-22°F) min.

Torque Rating: See Table

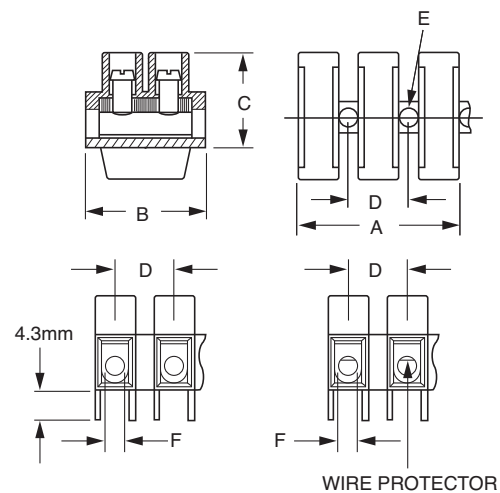
Agency Information: UL File E62622; CE Certified



Note: TS Series standard base pictured above.

A Dimensions

Poles	TS08	TS10
2	0.622 (15.8)	0.689 (17.5)
3	0.937 (23.8)	1.083 (27.5)
4	1.252 (31.8)	1.476 (37.5)
5	1.567 (39.8)	1.870 (47.5)
6	1.882 (47.8)	2.264 (57.5)
7	2.232 (55.8)	2.657 (67.5)
8	2.512 (63.8)	3.051 (77.5)
9	2.827 (71.8)	3.445 (87.5)
10	3.142 (79.8)	3.839 (97.5)
11	3.457 (87.8)	4.232 (107.5)
12	3.772 (95.8)	4.626 (117.5)



Specifications

Position	Torque in-lb	Clamping Area (mm ²)	Wire Range AWG (Cu)	Dimensions - in (mm)					
				Screw	B	C	D	E	F
TS0805	3.5	4.0	22-12 Sol./Str.	M2.6x5	0.64 (16.30)	0.67 (16.90)	0.32 (8.00)	0.11 (2.90)	0.11 (2.8±0.1)
TS0806	3.5	1.5	22-12 Sol./Str.	M2.6x5	0.64 (16.30)	0.67 (16.90)	0.32 (8.00)	0.11 (2.90)	0.11 (2.8±0.1)
TS1005	4.4	6.0	22-10 Sol., 14-10 Str.	M3.0x6	0.80 (20.20)	0.79 (20.10)	0.39 (10.00)	0.14 (3.60)	0.13 (3.2±0.1)
TS1006	4.4	2.5	22-12 Sol./Str., 10 Sol.	M3.0x6	0.80 (20.20)	0.79 (20.10)	0.39 (10.00)	0.14 (3.60)	0.13 (3.2±0.1)

Catalog Number Build-A-Code

Series	Base	Poles
TS		
08 = 20A	05 = Raised	02 to 12
10 = 30A	06 = Raised w/ wire protector	