



Chipsmall Limited consists of a professional team with an average of over 10 year of expertise in the distribution of electronic components. Based in Hongkong, we have already established firm and mutual-benefit business relationships with customers from,Europe,America and south Asia,supplying obsolete and hard-to-find components to meet their specific needs.

With the principle of “Quality Parts,Customers Priority,Honest Operation,and Considerate Service”,our business mainly focus on the distribution of electronic components. Line cards we deal with include Microchip,ALPS,ROHM,Xilinx,Pulse,ON,Everlight and Freescale. Main products comprise IC,Modules,Potentiometer,IC Socket,Relay,Connector.Our parts cover such applications as commercial,industrial, and automotives areas.

We are looking forward to setting up business relationship with you and hope to provide you with the best service and solution. Let us make a better world for our industry!



Contact us

Tel: +86-755-8981 8866 Fax: +86-755-8427 6832

Email & Skype: info@chipsmall.com Web: www.chipsmall.com

Address: A1208, Overseas Decoration Building, #122 Zhenhua RD., Futian, Shenzhen, China



XBP15SRV05W-G

ETR29020-001

Low Capacitance TVS Diode Array

FEATURES

Terminal Capacitance	: 1.2pF (Line-to-GND)
ESD Protection	: 10kV Contact (IEC61000-4-2)
Environmentally Friendly	: EU RoHS Compliant, Pb Free

APPLICATIONS

- USB 2.0, Firewire
- Video Graphics Card
- DVI
- Ethernet 10/100/1000

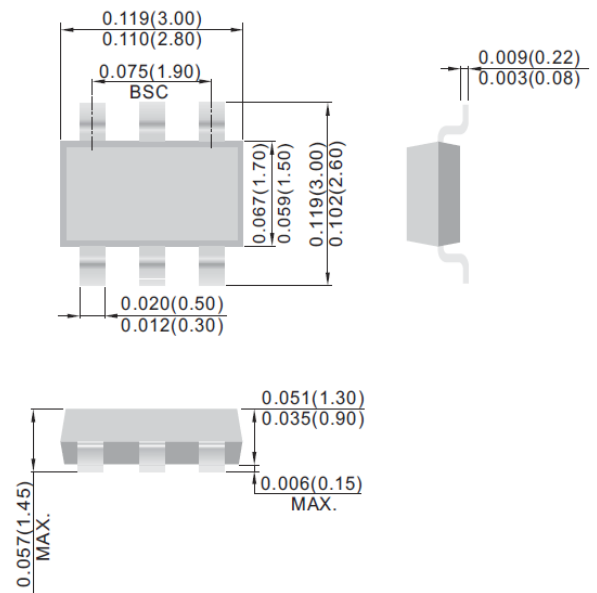
PRODUCT NAME

PRODUCT NAME	PACKAGE	ORDER UNIT
XBP15SRV05W-G *	SOT-26P	3,000pcs/Reel

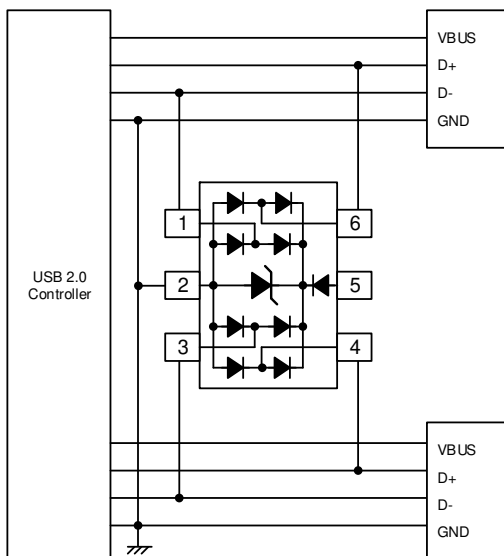
* The "-G" suffix denotes Halogen and Antimony free as well as being fully EU RoHS compliant.

PACKAGING INFORMATION

- SOT-26P Unit : inch (mm)



APPLICATION CIRCUIT



ABSOLUTE MAXIMUM RATINGS

Ta=25°C

PARAMETER	SYMBOL	RATINGS	UNIT
VDD Pin (Pin 5) Voltage	V _{DD}	-0.3 ~ +6.0	V
I/O Pin (Pin 1,3,4,6) Voltage	V _{I/O}	-0.3 ~ V _{DD} +0.3	V
Junction Temperature	T _j	125	°C
Storage Temperature	T _{stg}	-55 to +150	°C
IEC61000-4-2 (ESD) Air	V _{ESD_A}	±15	kV
IEC61000-4-2 (ESD) Contact	V _{ESD_C}	±10	kV

Each voltage rating is based on Pin2 (GND) voltage.

ELECTRICAL CHARACTERISTICS

Ta=25°C

PARAMETER	SYMBOL	TEST CONDITIONS	LIMITS			UNIT
			MIN.	TYP.	MAX.	
Stand-Off Voltage	V _{RWM}		-	-	5	V
Breakdown Voltage	V _{BR}	I _R =1mA, Pin5 to Pin2	6	-	-	V
Leakage Current	I _R	V _R =5V, Pin5 to Pin2	-	-	5	μA
Clamping Voltage (8/20 μs)	V _C	I _{PP} =3A, I/O pin to Pin2	-	-	10	V
Terminal Capacitance	C _t	V _R =0V, f=1MHz Between I/O pin to Pin2	-	1.0	1.2	pF
	C _t	V _R =0V, f=1MHz Between I/O pins	-	0.5	0.6	pF

NOTES ON USE

1. Please use this IC within the absolute maximum ratings.

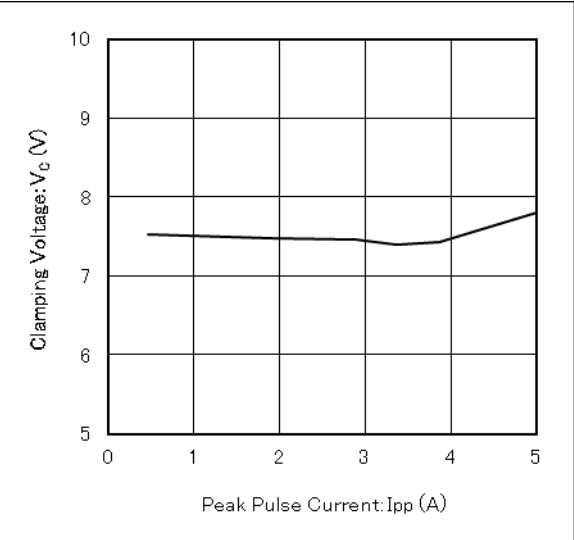
Even within the ratings, in case of high load use continuously such as high temperature, high voltage, high current and thermal stress may cause reliability degradation of the IC.

2. Torex places an importance on improving our products and their reliability.

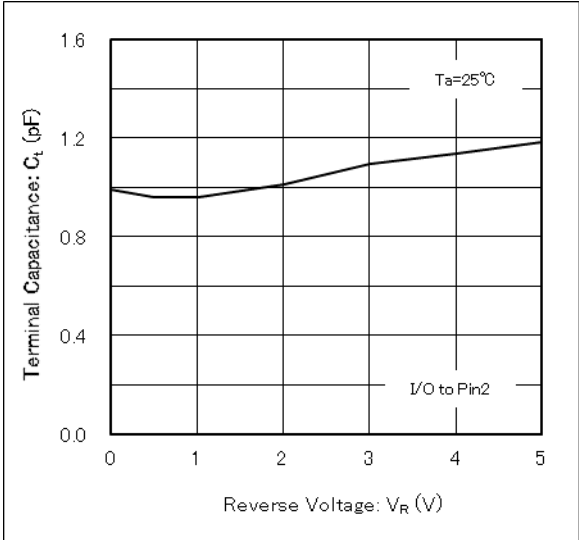
We request that users incorporate fail-safe designs and post-aging protection treatment when using Torex products in their systems.

TYPICAL PERFORMANCE CHARACTERISTICS

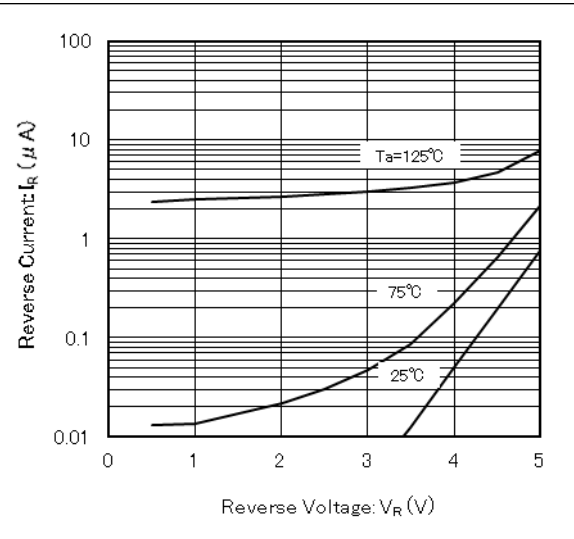
(1) Clamping Voltage vs. Peak Pulse Current



(2) Terminal Capacitance vs. Reverse Voltage (I/O to Pin2)



(3) Reverse Current vs. Reverse Voltage

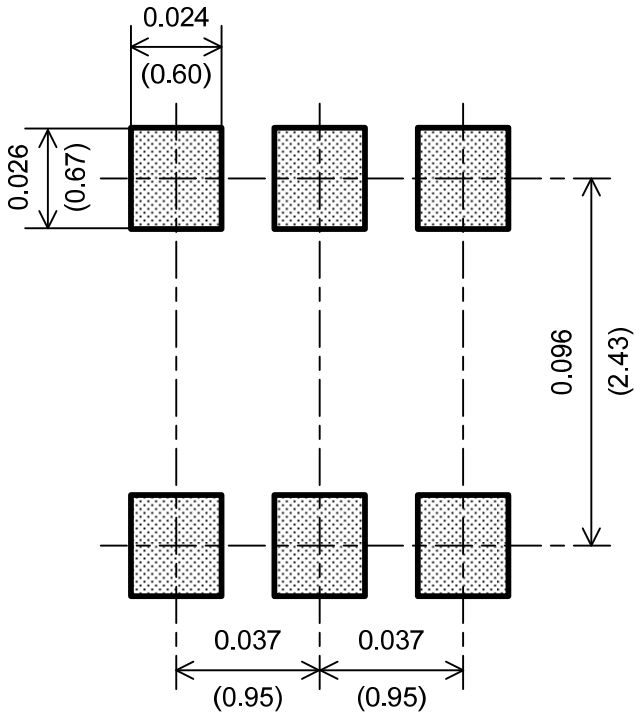


XBP15SRV05W-G

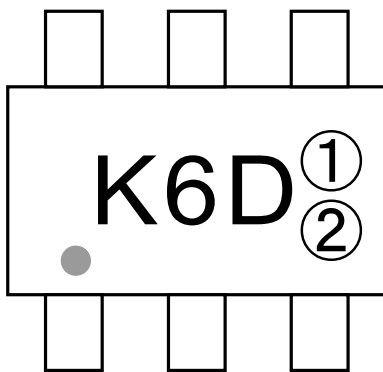
REFERENCE PATTERN LAYOUT

●SOT-26P

Unit : inch (mm)



MARKING

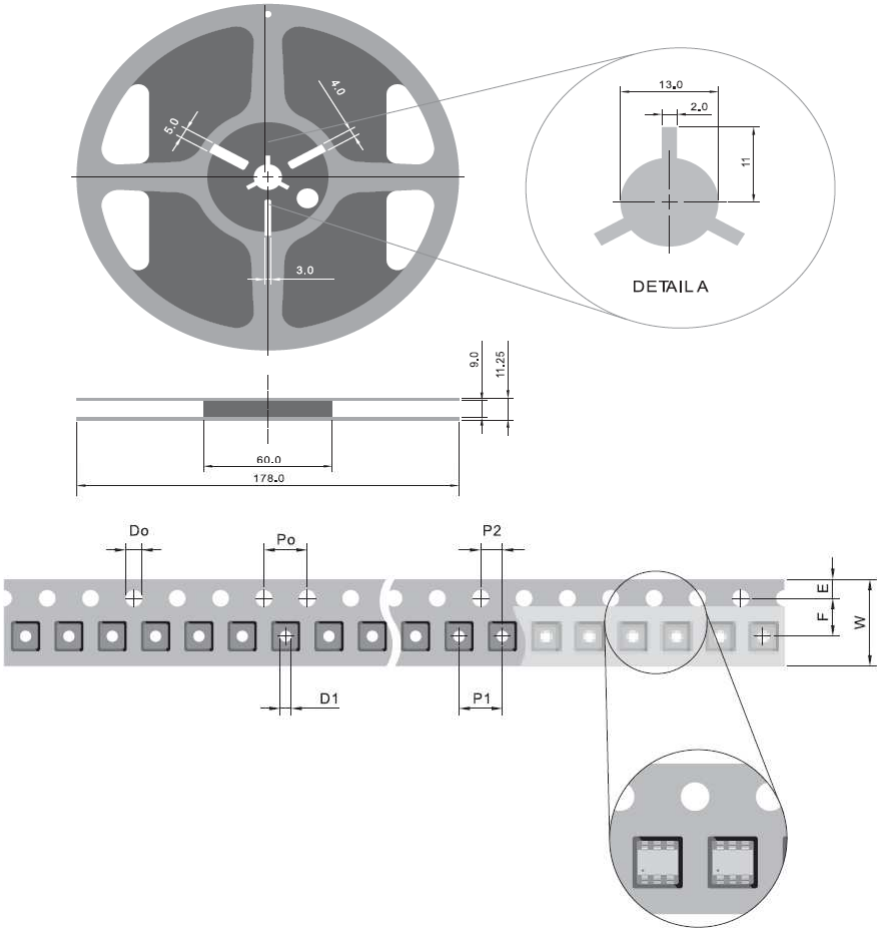


①② : Control Number

TAPING SPECIFICATIONS

●SOT-26P

Unit : mm



SYMBOL	mm
D ₀	1.55 ± 0.05
D ₁	1.00 + 0.25 - 0.10
E	1.75 ± 0.10
F	3.50 ± 0.05
P ₀	4.00 ± 0.10
P ₁	4.00 ± 0.10
P ₂	2.00 ± 0.05
W	8.00 + 0.30 - 0.15

1. The products and product specifications contained herein are subject to change without notice to improve performance characteristics. Consult us, or our representatives before use, to confirm that the information in this datasheet is up to date.
2. We assume no responsibility for any infringement of patents, patent rights, or other rights arising from the use of any information and circuitry in this datasheet.
3. Please ensure suitable shipping controls (including fail-safe designs and aging protection) are in force for equipment employing products listed in this datasheet.
4. The products in this datasheet are not developed, designed, or approved for use with such equipment whose failure or malfunction can be reasonably expected to directly endanger the life of, or cause significant injury to, the user.
(e.g. Atomic energy; aerospace; transport; combustion and associated safety equipment thereof.)
5. Please use the products listed in this datasheet within the specified ranges.
Should you wish to use the products under conditions exceeding the specifications, please consult us or our representatives.
6. We assume no responsibility for damage or loss due to abnormal use.
7. All rights reserved. No part of this datasheet may be copied or reproduced without the prior permission of TOREX SEMICONDUCTOR LTD.

TOREX SEMICONDUCTOR LTD.