



Chipsmall Limited consists of a professional team with an average of over 10 year of expertise in the distribution of electronic components. Based in Hongkong, we have already established firm and mutual-benefit business relationships with customers from,Europe,America and south Asia,supplying obsolete and hard-to-find components to meet their specific needs.

With the principle of "Quality Parts,Customers Priority,Honest Operation,and Considerate Service",our business mainly focus on the distribution of electronic components. Line cards we deal with include Microchip,ALPS,ROHM,Xilinx,Pulse,ON,Everlight and Freescale. Main products comprise IC,Modules,Potentiometer,IC Socket,Relay,Connector.Our parts cover such applications as commercial,industrial, and automotives areas.

We are looking forward to setting up business relationship with you and hope to provide you with the best service and solution. Let us make a better world for our industry!



Contact us

Tel: +86-755-8981 8866 Fax: +86-755-8427 6832

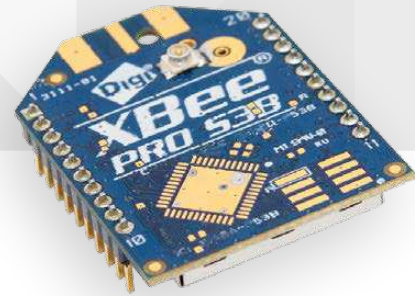
Email & Skype: info@chipsmall.com Web: www.chipsmall.com

Address: A1208, Overseas Decoration Building, #122 Zhenhua RD., Futian, Shenzhen, China





900 MHZ LONG-RANGE
RF MODULE



XBEE-PRO[®] XSC

High-performance, long-range RF module is ideal for applications with low power requirements

Digi's latest XBee-PRO XSC module features two times the throughput and 20 times less current draw than the previous XSC module, making it ideal for long-range sensor applications. The module features an ADF7023 transceiver from Analog Devices, delivering best-in-class distances up to 28 miles Line-of-Sight (LOS), along with low power consumption, drawing less than 2.5 uA in power down.

The latest XBee-PRO XSC (S3B hardware) allows for several firmware options which are firmware compatible with the legacy 9XStream[®] and the legacy XBee-PRO XSC modules. In

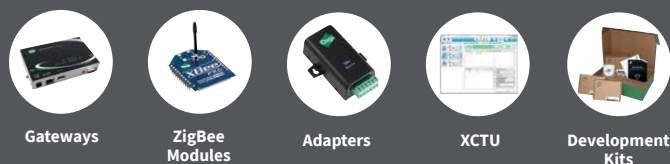
addition, future firmware versions will support DigiMesh[®] along with Digi's proprietary point-to-multipoint protocols.

Digi's free XCTU configuration utility simplifies the configuration of the XSC module, which requires no programming. In addition, it can be easily configured via a simplified AT command set. The modules are pre-certified for North America and Australia, further reducing development costs and time to market.

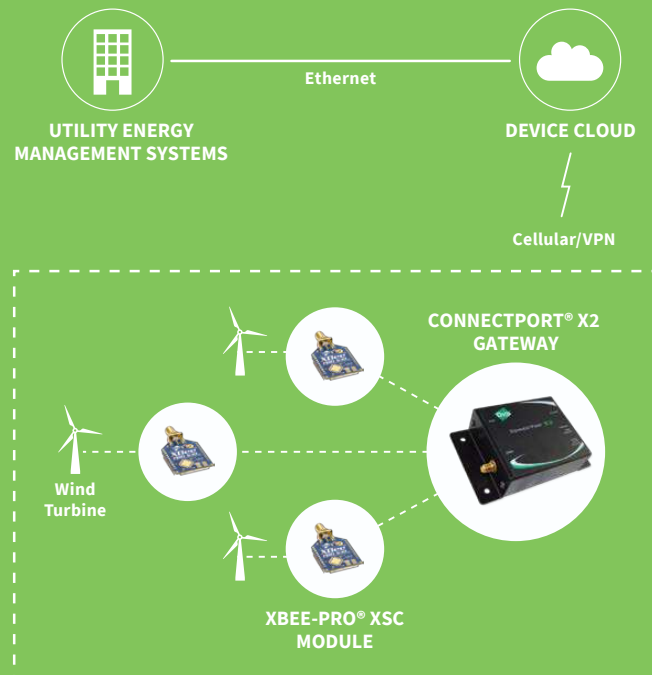
BENEFITS

- Simplified AT command set accelerates time to market
- Modules are over-the-air compatible with legacy 9XStream and XSC products
- 20 times less current draw than previous XSC module
- Superior outdoor LOS range of up to 28 miles
- Pin-compatible with existing through-hole XBee RF modules
- RF data throughput up to 20 Kbps
- 900 MHz license-free ISM band operation

RELATED PRODUCTS



APPLICATION EXAMPLE



SPECIFICATIONS

XBee-PRO® XSC (S3)

XBee-PRO® XSC (S3B)

HARDWARE

PROCESSOR	ADF7025 transceiver, Atmel AT91SAM7S	ADF7023 transceiver, Cortex-M3 EFM32G230 @ 28 MHz
FREQUENCY BAND	902 MHz to 928 MHz	
ANTENNA OPTIONS	Wire, U.FL, RPSMA	

PERFORMANCE

RF DATA RATE	10 Kbps	10 Kbps or 20 Kbps
INDOOR/URBAN RANGE	Up to 1200 ft (370 m)	Up to 2000 ft (610 m)
OUTDOOR/LINE-OF-SIGHT RANGE	Up to 6 mi (9.6 km)	Up to 9 mi (14 km) w/ dipole antenna Up to 28 mi (45 km) w/ high-gain antenna
TRANSMIT POWER	Up to 20 dBm (100 mW)	Up to 24 dBm (250 mW) software selectable
RECEIVER SENSITIVITY	-106 dBm	-109 dBm at 9600 baud -107 dBm at 19200 baud

FEATURES

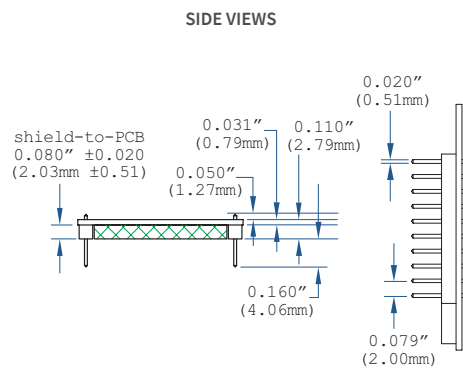
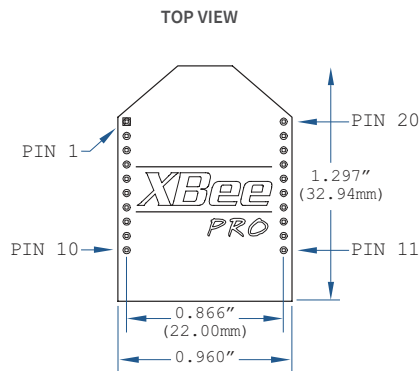
SPREAD SPECTRUM	FHSS
OPERATING TEMPERATURE	-40° C to +85° C

POWER

SUPPLY VOLTAGE	3.0 - 3.6 VDC	2.4 to 3.6 VDC
TRANSMIT CURRENT	265 mA	215 mA
RECEIVE CURRENT	65 mA	26 mA
SLEEP CURRENT	45 uA	2.5 uA

REGULATORY APPROVALS

FCC	MCQ-XBEEEXSC	MCQ-XBPS3B
IC	1846A-XBEEEXSC	1846A-XBPS3B
C-TICK	No	Australia



PART NUMBERS	DESCRIPTION
XBP9B-XCST-001	XBee-PRO XSC S3B, 900 MHz, 250 mW, RPSMA ant connector, 9600 bps
XBP9B-XCUT-001	XBee-PRO XSC S3B, 900 MHz, 250 mW, U.FL ant connector, 9600 bps
XBP9B-XCWT-001	XBee-PRO XSC S3B, 900 MHz, 250 mW, wire antenna, 9600 bps
XBP9B-XCST-002	XBee-PRO XSC S3B, 900 MHz, 250 mW, RPSMA ant connector, 19.2 Kbps
XBP9B-XCUT-002	XBee-PRO XSC S3B, 900 MHz, 250 mW, U.FL ant connector, 19.2 Kbps
XBP9B-XCWT-002	XBee-PRO XSC S3B, 900 MHz, 250 mW, wire antenna, 19.2 Kbps
XBP9B-XCST-021	XBee-PRO XSC S3B, 920 MHz, 250 mW, RPSMA ant connector, 9600 bps (International)
XBP9B-XCUT-021	XBee-PRO XSC S3B, 920 MHz, 250 mW, U.FL ant connector, 9600 bps (International)
XBP9B-XCWT-021	XBee-PRO XSC S3B, 920 MHz, 250 mW, wire antenna, 9600 bps (International)
XBP9B-XCST-022	XBee-PRO XSC S3B, 920 MHz, 250 mW, RPSMA ant connector, 19.2 Kbps (International)
XBP9B-XCUT-022	XBee-PRO XSC S3B, 920 MHz, 250 mW, U.FL ant connector, 19.2 Kbps (International)
XBP9B-XCWT-022	XBee-PRO XSC S3B, 920 MHz, 250 mW, wire antenna, 19.2 Kbps (International)
XK9-XCT-0	XBee-PRO XSC S3B Development Kit
XK9-XCT-2	XBee-PRO XSC S3B 920 MHz Development Kit (International)

FOR MORE INFORMATION
PLEASE VISIT WWW.DIGI.COM

DIGI SERVICE AND SUPPORT / You can purchase with confidence knowing that Digi is always available to serve you with expert technical support and our industry leading warranty. For detailed information visit www.digi.com/support.

© 1996-2015 Digi International Inc. All rights reserved.
All trademarks are the property of their respective owners.

910016899
B1/915

DIGI INTERNATIONAL WORLDWIDE HQ
877-912-3444 / 952-912-3444 / www.digi.com

DIGI INTERNATIONAL FRANCE
+33-1-55-61-98-98 / www.digi.fr

DIGI INTERNATIONAL JAPAN
+81-3-5428-0261 / www.digi-intl.co.jp

DIGI INTERNATIONAL SINGAPORE
+65-6213-5380

DIGI INTERNATIONAL CHINA
+86-21-50492199 / www.digi.com.cn

