



Chipsmall Limited consists of a professional team with an average of over 10 year of expertise in the distribution of electronic components. Based in Hongkong, we have already established firm and mutual-benefit business relationships with customers from,Europe,America and south Asia,supplying obsolete and hard-to-find components to meet their specific needs.

With the principle of “Quality Parts,Customers Priority,Honest Operation,and Considerate Service”,our business mainly focus on the distribution of electronic components. Line cards we deal with include Microchip,ALPS,ROHM,Xilinx,Pulse,ON,Everlight and Freescale. Main products comprise IC,Modules,Potentiometer,IC Socket,Relay,Connector.Our parts cover such applications as commercial,industrial, and automotives areas.

We are looking forward to setting up business relationship with you and hope to provide you with the best service and solution. Let us make a better world for our industry!



Contact us

Tel: +86-755-8981 8866 Fax: +86-755-8427 6832

Email & Skype: info@chipsmall.com Web: www.chipsmall.com

Address: A1208, Overseas Decoration Building, #122 Zhenhua RD., Futian, Shenzhen, China



XC74UL02AA



CMOS Logic

- ◆ CMOS 2-Input NOR Gate
- ◆ High Speed Operation : tpd = 2.65ns (TYP.)
- ◆ Operating Voltage Range : 2V ~ 5.5V
- ◆ Low Power Consumption : 1μ A (MAX.)

■ APPLICATIONS

- Palmtops
- Digital equipment

■ GENERAL DESCRIPTION

The XC74UL02AA is a 2-input CMOS NOR Gate, manufactured using silicon gate CMOS fabrication.

CMOS low power circuit operation makes high speed LS-TTL operation achievable.

With a wave forming buffer connected internally, stabilized output can be achieved as the circuit offers high noise immunity.

As the XC74UL02AA is integrated into mini molded, SSOT-25 and SOT-25 packages, high density mounting is possible.

■ FEATURES

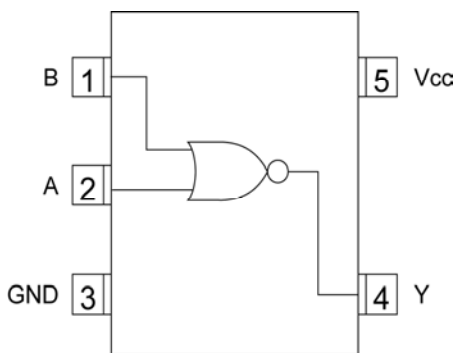
High Speed Operation : tpd = 2.65ns (TYP.)

Operating Voltage Range : 2V ~ 5.5V

Low Power Consumption: 1μ A (MAX.)

Ultra Small Packages : SSOT-25 and SOT-25

■ PIN CONFIGURATION



SSOT-25/SOT-25
(TOP VIEW)

■ FUNCTIONS

INPUT		OUTPUT
A	B	Y
L	L	H
L	H	L
H	L	L
H	H	L

H=High level

L=Low level

■ ABSOLUTE MAXIMUM RATINGS

Ta=-40°C~85°C

PARAMETER	SYMBOL	RATINGS	UNITS
Supply Voltage	VCC	-0.5~+6.0	V
Input Voltage	VIN	-0.5~+6.0	V
Output Voltage	VOUT	-0.5~VCC+0.5	V
Input Diode Current	I _{IK}	-20	mA
Output Diode Current	I _{OK}	± 20	mA
Output Current	I _{OUT}	± 25	mA
VCC,GND Current	I _{CC} ,I _{GND}	± 50	mA
Power Dissipation(Ta=55°C)	P _d	150	mW
Storage Temperature Range	T _{stg}	-65~+150	°C

* Voltage is all ground standardized.

XC74UL02AA

RECOMMENDED OPERATING CONDITIONS

PARAMETER	SYMBOL	V _{CC} (V)	CONDITIONS	UNITS
Supply Voltage	V _{CC}	-	2~5.5	V
Input Voltage	V _{IN}	-	0~5.5	V
Output Voltage	V _{OUT}	-	0~V _{CC}	V
Operating Temperature Range	T _{opr}	-	-40~+85	°C
Output Current	I _{OH}	3.0	-4	mA
		4.5	-8	
	I _{OL}	3.0	4	
		4.5	8	
Input Rise and Fall Time	t _{r,tf}	3.3	0~100	ns
		5.0	0~20	

DC ELECTRICAL CHARACTERISTICS

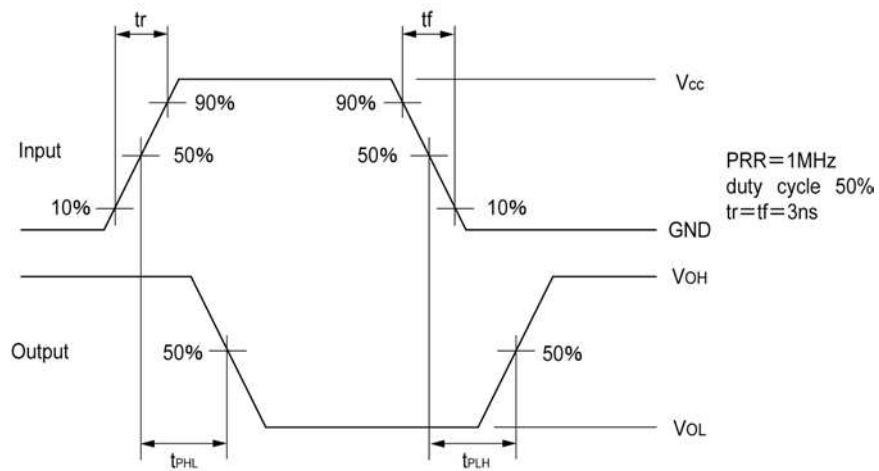
PARAMETER	SYMBOL	V _{CC} (V)	CONDITIONS	Ta=25°C			Ta=-40°C~85°C		UNITS	
				MIN.	TYP.	MAX.	MIN.	MAX.		
Input Voltage	V _{IH}	2.0		1.5	-	-	1.5	-	V	
		3.0		2.1	-	-	2.1	-		
		5.5		3.85	-	-	3.85	-		
	V _{IL}	2.0		-	-	0.5	-	0.5	V	
		3.0		-	-	0.9	-	0.9		
		5.5		-	-	1.65	-	1.65		
Output Voltage	V _{OH}	2.0	V _{IN} =V _{IH}	I _{OH} =-50μ A	1.9	2.0	-	1.9	-	V
		3.0			2.9	3.0	-	2.9	-	
		4.5		4.4	4.5	-	4.4	-		
		3.0		I _{OH} =-4mA	2.58	-	-	2.48	-	
		4.5			I _{OH} =-8mA	3.94	-	-	3.80	
	V _{OL}	2.0	V _{IN} =V _{IH}	I _{OL} =50μ A		-	-	0.1	-	0.1
		3.0			-	-	0.1	-	0.1	
		4.5			-	-	0.1	-	0.1	
		3.0		I _{OL} =4mA	-	-	0.36	-	0.44	
		4.5			I _{OL} =8mA	-	-	0.36	-	0.44
Input Current	I _{IN}	0~5.5	V _{IN} =V _{CC} or GND	-0.1		-	0.1	-1.0	1.0	μ A
Static Supply Current	I _{CC}	5.5	V _{IN} =V _{CC} or GND, I _{OUT} =0μ A	-	-	1.0	-	10.0		

SWITCHING ELECTRICAL CHARACTERISTICS

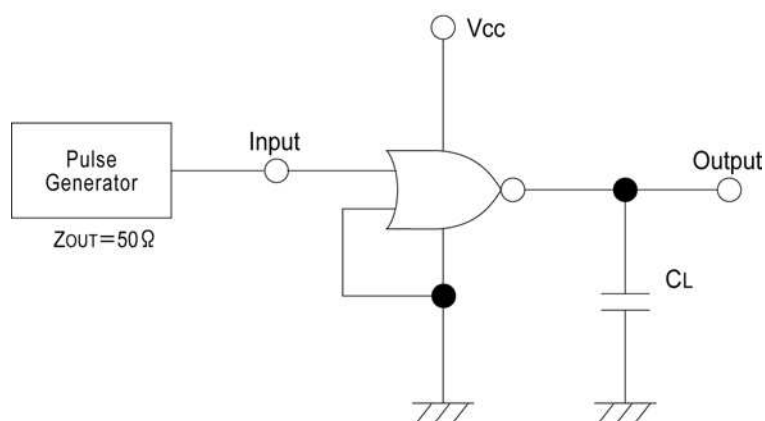
t_r=t_f=3ns

PARAMETER	SYMBOL	C _L	V _{CC} (V)	CONDITIONS	Ta=25°C			Ta=-40°C~85°C		UNITS
					MIN.	TYP.	MAX.	MIN.	MAX.	
Delay Time	t _{PLH}	15pF	3.3		-	3.9	7.9	1.0	9.5	ns
			5.0		-	2.7	5.5	1.0	6.5	
		50pF	3.3		-	5.5	11.4	1.0	13.0	ns
			5.0		-	3.9	7.5	1.0	8.5	
	t _{PHL}	15pF	3.3		-	3.5	7.9	1.0	9.5	ns
			5.0		-	2.6	5.5	1.0	6.5	
		50pF	3.3		-	4.9	11.4	1.0	13.0	ns
			5.0		-	3.6	7.5	1.0	8.5	
Input Capacitance	C _{IN}	-	5.0	V _{IN} =V _{CC} or GND	-	4	10	-	10	pF
Power Dissipation Capacitance	C _{pd}	No Load, f=1MHz			-	9.7	-	-	-	pF

■ WAVEFORM



■ TEST CIRCUIT



Note: Open output when measuring supply current