



Chipsmall Limited consists of a professional team with an average of over 10 year of expertise in the distribution of electronic components. Based in Hongkong, we have already established firm and mutual-benefit business relationships with customers from,Europe,America and south Asia,supplying obsolete and hard-to-find components to meet their specific needs.

With the principle of “Quality Parts,Customers Priority,Honest Operation,and Considerate Service”,our business mainly focus on the distribution of electronic components. Line cards we deal with include Microchip,ALPS,ROHM,Xilinx,Pulse,ON,Everlight and Freescale. Main products comprise IC,Modules,Potentiometer,IC Socket,Relay,Connector.Our parts cover such applications as commercial,industrial, and automotives areas.

We are looking forward to setting up business relationship with you and hope to provide you with the best service and solution. Let us make a better world for our industry!



Contact us

Tel: +86-755-8981 8866 Fax: +86-755-8427 6832

Email & Skype: info@chipsmall.com Web: www.chipsmall.com

Address: A1208, Overseas Decoration Building, #122 Zhenhua RD., Futian, Shenzhen, China



XC74UL4066

ETR1308_002

CMOS Logic

DESCRIPTION

XC74UL4066 is CMOS analog switch manufactured using silicon gate CMOS processes. The small supply current, which is one of the features of the CMOS logic, gives way to high speed analog or digital signal switching.

As the series is integrated into a mini molded, SSOT-25 and SON-6 package, high density mounting is possible.

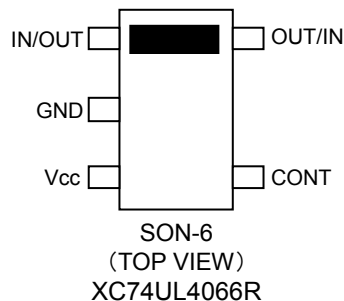
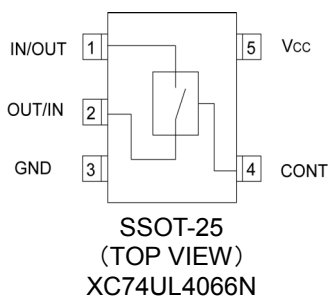
APPLICATIONS

- Palmtops
- Digital equipment

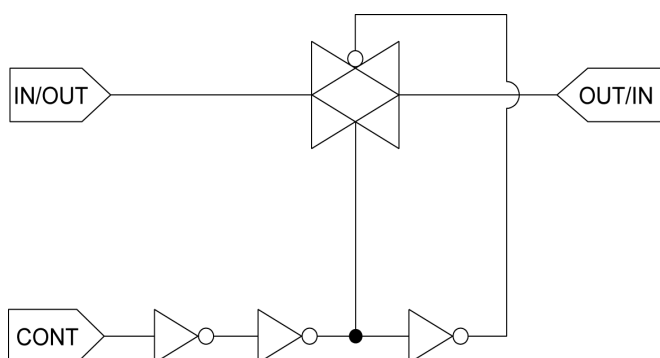
FEATURES

- High Speed Operation** : tpd = 2ns (TYP.)
- Operating Voltage Range** : 2V ~ 5.5V
- Low Power Consumption** : 1 μ A (MAX.)
- Low ON Resistance** : 22 Ω (TYP.)
- CMOS Logic Analog Switch**
- Ultra Small Packages** : SSOT-25, SON-6*
- * Under Development

PIN CONFIGURATION



LOGIC DIAGRAM



FUNCTIONS

CONTROL	STATE
L	OFF
H	ON

H=High level

L=Low level

■ ABSOLUTE MAXIMUM RATINGS

Ta=-40°C~85°C

PARAMETER		SYMBOL	RATINGS	UNITS
Supply Voltage		VCC	-0.5~+6.0	V
Control Input Voltage		VCONT	-0.5~+6.0	V
Switch Output Voltage		VOUT	-0.5~VCC+0.5	V
Control Input Diode Current		I _{IK}	-20	mA
Switch Output Diode Current		I _{OK}	±20	mA
Switch Output Current		I _{OUT}	±25	mA
VCC,GND Current		I _{CC} ,I _{GND}	±50	mA
Power Dissipation *	SSOT-25	P _d	150	mW
	SON-6		200	
Storage Temperature Range		T _{stg}	-65~+150	°C

Voltage is all ground standardized.
* Ta=25°C

■ RECOMMENDED OPERATING CONDITIONS

PARAMETER	SYMBOL	VCC(V)	CONDITIONS	UNITS
Supply Voltage	VCC	—	2~5.5	V
Input Voltage	V _{IN}	—	0~5.5	V
Output Voltage	V _{OUT}	—	0~VCC	V
Operating Temperature Range	T _{opr}	—	-40~+85	°C
Input Rise and Fall Time	tr,tf	3.3	0~100	ns/V
		5.0	0~20	

■ DC ELECTRICAL CHARACTERISTICS

PARAMETER	SYMBOL	VCC(V)	CONDITIONS	Ta=25°C			Ta=-40°C~85°C		UNITS
				MIN.	TYP.	MAX.	MIN.	MAX.	
“High” Level Control Input Voltage”	V _{IH}	2.0		1.5	—	—	1.5	—	V
		3.0		2.1	—	—	2.1	—	
		5.5		3.85	—	—	3.85	—	
“Low” Level Control Input Voltage”	V _{IL}	2.0		—	—	0.5	—	0.5	V
		3.0		—	—	0.9	—	0.9	
		5.5		—	—	1.65	—	1.65	
Peak ON Resistance	R _{ONmax}	2.0	V _{CONT} =V _{IH}	—	130	350	—	550	Ω
		3.0	V _{IN} =0~V _{CC}	—	22	50	—	65	
		4.5	I _{IN/OUT} =1mA	—	12	25	—	35	
ON Resistance	R _{ON(1)}	2.0	V _{CONT} =V _{IH}	—	23	50	—	65	Ω
		3.0	V _{IN} =GND or V _{CC}	—	14	30	—	40	
		4.5	I _{IN/OUT} =1mA	—	10	20	—	25	
Power Off Leak Current	I _{S(OFF)}	5.5	V _{CONT} =V _{IL} , V _{IN} =V _{CC} , V _{OUT} =GND	—	—	±0.1	—	±1.0	μA
Power On Leak Current	I _{S(ON)}	5.5	V _{CONT} =V _{IH} , V _{IN} =V _{CC} , OR GND	—	—	±0.1	—	±1.0	μA
Control Input Current	I _{CONT}	5.5	V _{IN} =V _{CC} or GND	—	—	±0.1	—	±1.0	μA
Static Supply Current	I _{CC}	5.5	V _{IN} =V _{CC} or GND	—	—	1.0	—	5.0	μA

SWITCHING ELECTRICAL CHARACTERISTICS

(tr=tf=3ns)

PARAMETER	SYMBOL	V _{CC} (V)	CONDITIONS	Ta=25°C			Ta=-40°C~85°C		UNITS
				MIN.	TYP.	MAX.	MIN.	MAX.	
Delay Time	t _{PLH}	2.0	R _L =10kΩ	—	4	20	—	23	ns
	t _{PHL}	3.3	C _L =50pF	—	3	6	—	8	
		5.0		—	2	5	—	6	
Output Enable Time	t _{ZL}	2.0	R _L =1kΩ	—	9	50	—	65	ns
	t _{ZH}	3.3	C _L =50pF	—	5	10	—	12	
		5.0		—	3	8	—	10	
Output Disable Time	t _{LZ}	2.0	R _L =1kΩ	—	12	60	—	75	ns
	t _{HZ}	3.3	C _L =50pF	—	10	23	—	27	
		5.0		—	8	20	—	25	
Sine Wave Distortion Rate		3.0	R _L =10kΩ C _L =50pF f _{IN} =1kHz	—	0.05	—	—	—	%
-3dB Band Width		3.0	R _L =600kΩ, C _L =50pF $20 \log_{10} \frac{V_{OUT}}{V_{IN}} = -3\text{dB}$	—	200	—	—	—	MHz
Feed Through (Switch- off)		3.0	R _L =600kΩ C _L =50pF f _{IN} =1kHz	—	-60	—	—	—	dB
Cross Talk (Control Switch)		2.0	R _L =600kΩ	—	60	—	—	—	mV
		3.0	C _L =50pF	—	100	—	—	—	
		4.5	f _{IN} =1kHz	—	150	—	—	—	
Maximum Control Input Frequency		2.0	R _L =1kΩ	—	30	—	—	—	MHz
		3.0	C _L =15pF	—	30	—	—	—	
		4.5	V _{OUT} =V _{CC} /2	—	30	—	—	—	
Control Input Capacitance	C _{IN}	—		—	5	10	—	10	pF
Switch Input/Output Capacitance	C _{IN/OUT}	—		—	6	—	—	—	pF
Feed Through Capacitance	C _{IN-OUT}	—		—	0.5	—	—	—	pF
Power Dissipation Capacitance	CPD	—		—	13	—	—	—	pF

Note: CPD is defined as the value of the internal equivalent capacitance which is derived from the operating supply current at times of "No Load".

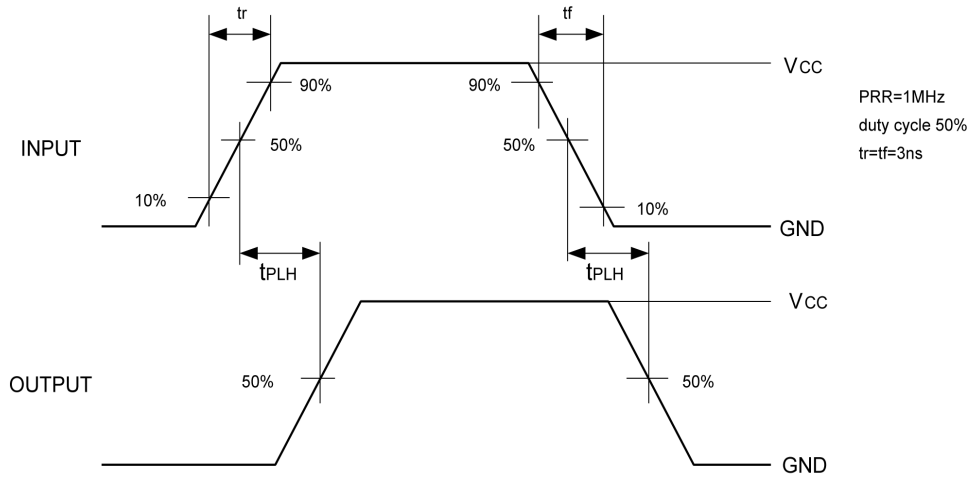
Ensure that the average operating supply current at times of "No Load" meets the following conditions:

$$I_{CC}(\text{opr}) = C_{PD} \cdot V_{CC} \cdot f_{IN} + I_{CC}$$

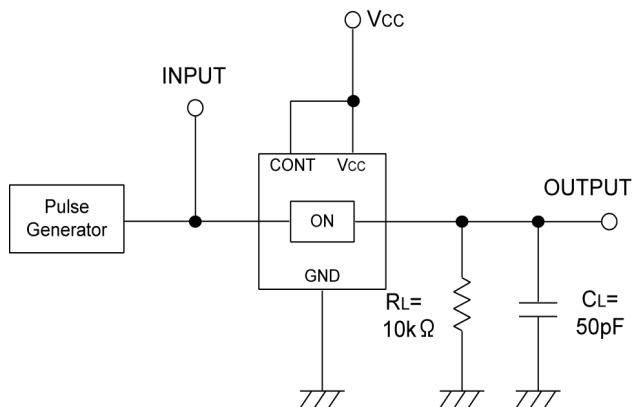
XC74UL4066

■ DELAY TIME

● WAVEFORM



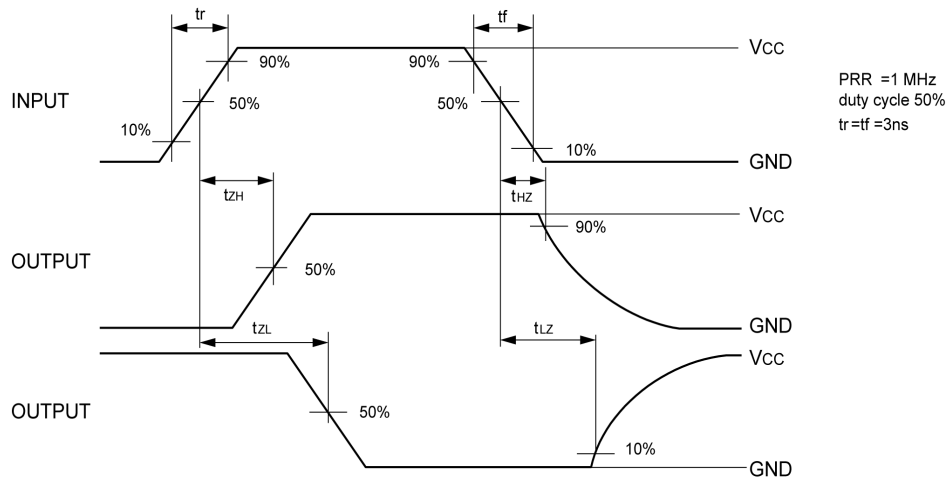
● TEST CIRCUIT



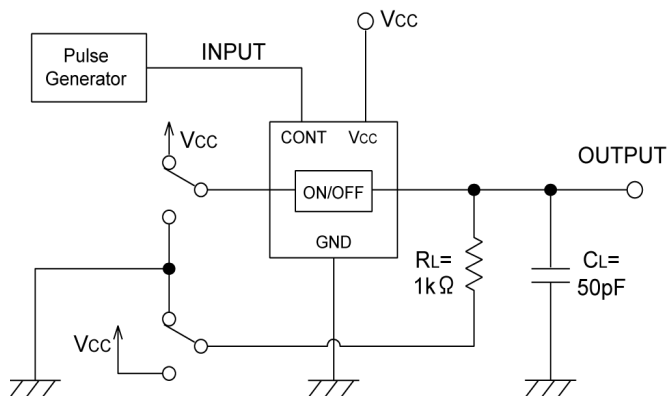
Note: Open output when measuring supply current

■ OUTPUT ENABLE TIME, OUTPUT DISABLE TIME

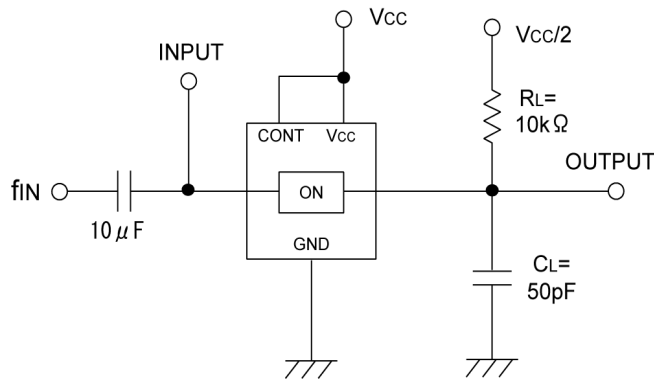
● WAVEFORM



● TEST CIRCUIT

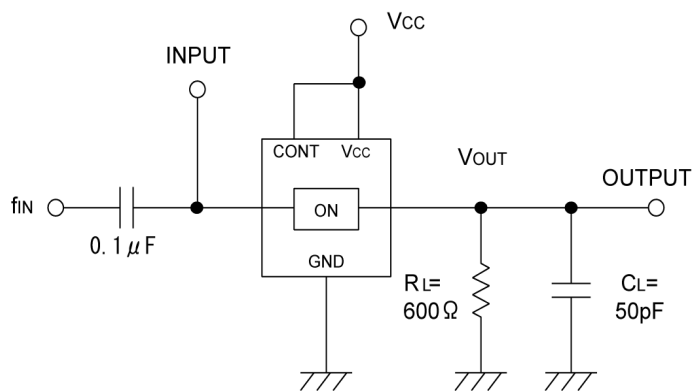


■ SINE WAVE DISTORTION RATE



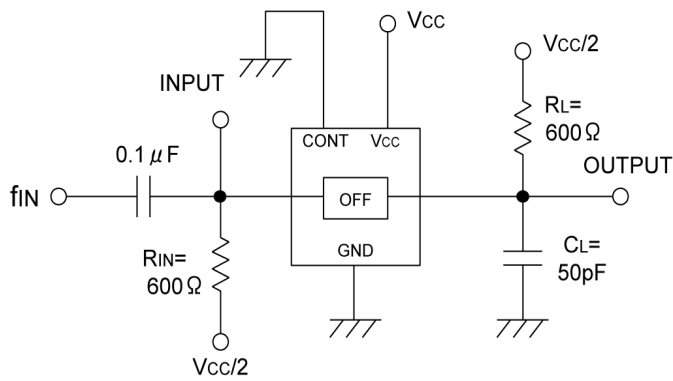
* Input by sine wave

■ -3dB BAND WIDTH



* Input by sine wave

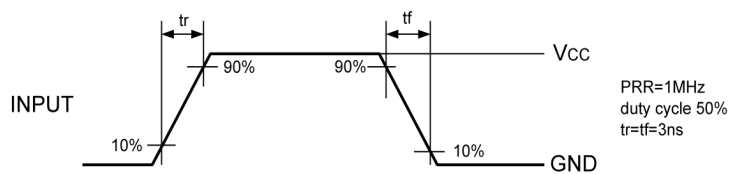
■ FEED THROUGH TEST CIRCUIT



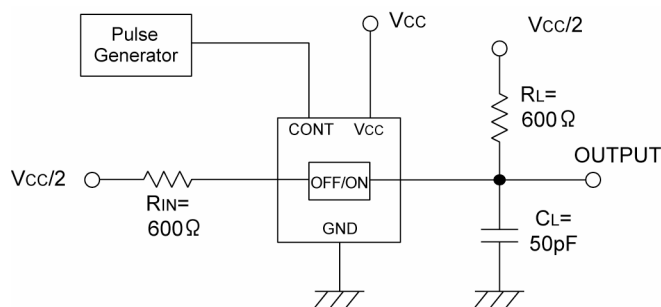
* Input by sine wave

■ CROSS TALK

● WAVEFORM

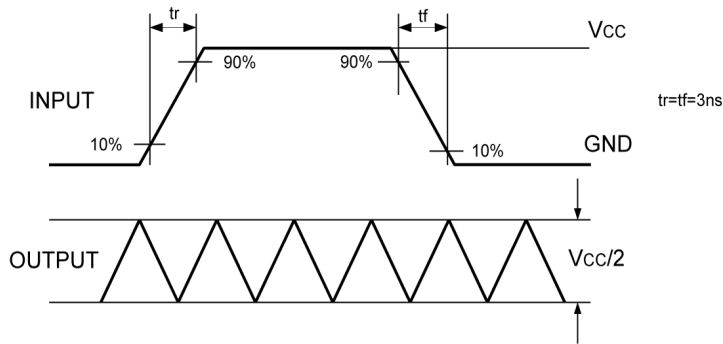


● TEST CIRCUIT

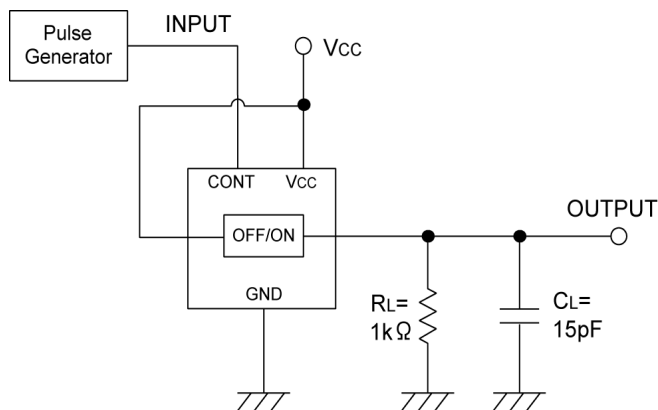


■ MAXIMUM CONTROL INPUT FREQUENCY

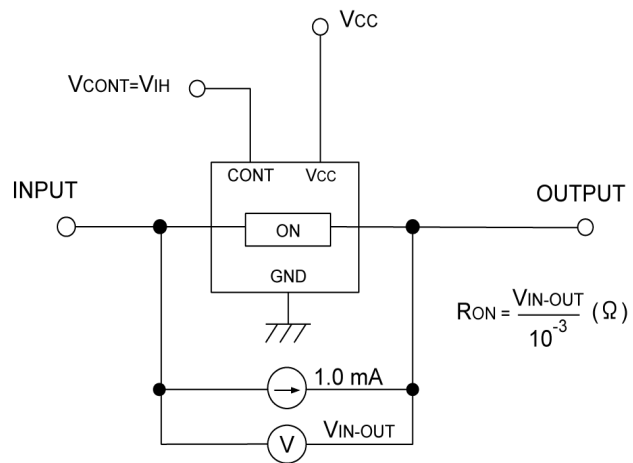
● WAVEFORM



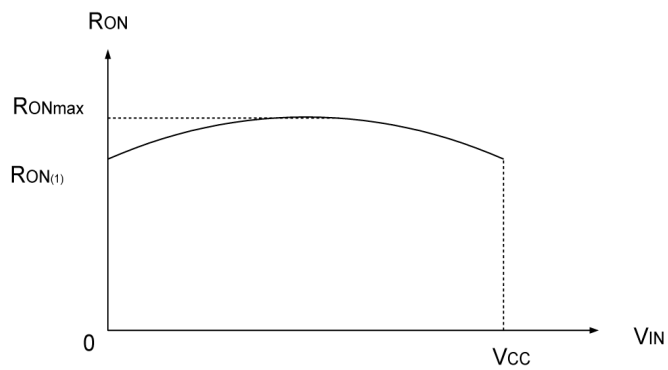
● TEST CIRCUIT



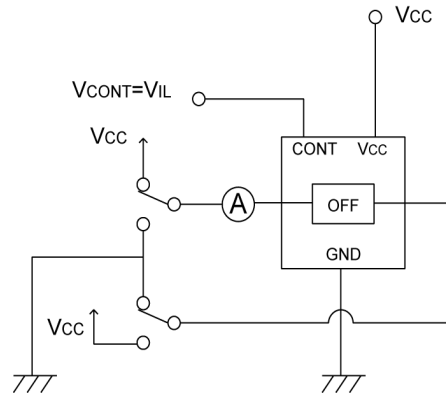
■ ON RESISTANCE



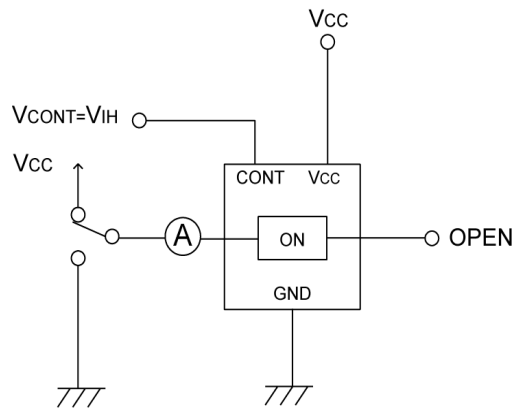
■ VOLTAGE DEPENDANCIES OF ON RESISTANCE



■ POWER OFF LEAK CURRENT



■ POWER ON LEAK CURRENT



1. The products and product specifications contained herein are subject to change without notice to improve performance characteristics. Consult us, or our representatives before use, to confirm that the information in this catalog is up to date.
2. We assume no responsibility for any infringement of patents, patent rights, or other rights arising from the use of any information and circuitry in this catalog.
3. Please ensure suitable shipping controls (including fail-safe designs and aging protection) are in force for equipment employing products listed in this catalog.
4. The products in this catalog are not developed, designed, or approved for use with such equipment whose failure of malfunction can be reasonably expected to directly endanger the life of, or cause significant injury to, the user.
(e.g. Atomic energy; aerospace; transport; combustion and associated safety equipment thereof.)
5. Please use the products listed in this catalog within the specified ranges.
Should you wish to use the products under conditions exceeding the specifications, please consult us or our representatives.
6. We assume no responsibility for damage or loss due to abnormal use.
7. All rights reserved. No part of this catalog may be copied or reproduced without the prior permission of Torex Semiconductor Ltd.

TOREX SEMICONDUCTOR LTD.