



Chipsmall Limited consists of a professional team with an average of over 10 year of expertise in the distribution of electronic components. Based in Hongkong, we have already established firm and mutual-benefit business relationships with customers from,Europe,America and south Asia,supplying obsolete and hard-to-find components to meet their specific needs.

With the principle of “Quality Parts,Customers Priority,Honest Operation,and Considerate Service”,our business mainly focus on the distribution of electronic components. Line cards we deal with include Microchip,ALPS,ROHM,Xilinx,Pulse,ON,Everlight and Freescale. Main products comprise IC,Modules,Potentiometer,IC Socket,Relay,Connector.Our parts cover such applications as commercial,industrial, and automotives areas.

We are looking forward to setting up business relationship with you and hope to provide you with the best service and solution. Let us make a better world for our industry!



Contact us

Tel: +86-755-8981 8866 Fax: +86-755-8427 6832

Email & Skype: info@chipsmall.com Web: www.chipsmall.com

Address: A1208, Overseas Decoration Building, #122 Zhenhua RD., Futian, Shenzhen, China



XC9246B75CMR-G Evaluation Board Data

PWM Switching Control, Step-Down DC/DC Converter

TOREX
.....Powerfully Small!

■ **Spec**
Fosc : 1.2 MHz
Vout : 5.0 V

■ **Regarding I/O terminal**

Enable
 $3V \leq EN/SS \leq 16V$
Disable
 $0V \leq EN/SS \leq 0.4V$

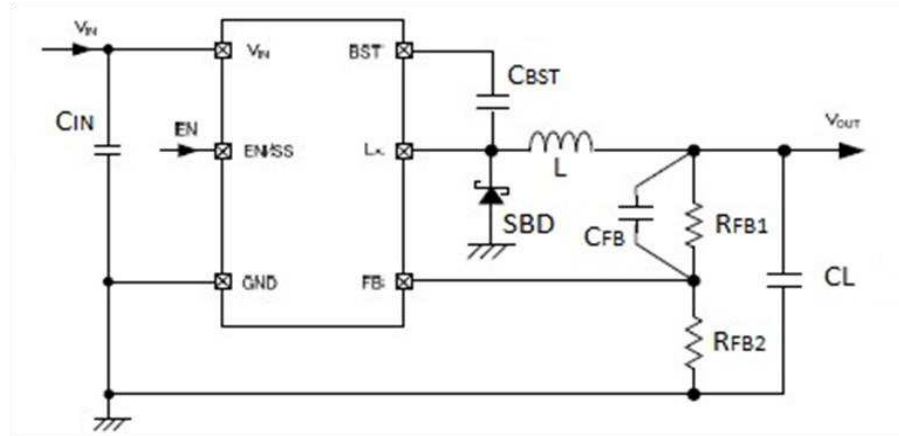


Fig. Circuit

■ **Notes**

- * Please use external components and IC within the absolute maximum rating.
- * Please evaluate the temperature feature within operating ambient temperature range.
- * Please consider the heat dissipation for IC and external components observing their temperature if necessary.
- * These data are reference data and we don't guarantee these data as specs.
- * Please evaluate our product on your PCB and in your system well.

■ **External Components List**

	Q'ty	Description	Manufacturer
IC	1	XC9246B75CMR-G	Torex
L	1	VLP4045LT-6R8	TDK
SBD	1	XBS204S17R	Torex
CIN	1	C2012X5R1E106M	TDK
CL	2	C2012X5R1A106M	TDK
CBST	1	C1608X5R1A224K	TDK
RFB1	1	30k ohm	
RFB2	1	7.5k ohm	
CFB	1	270pF	
RSS	1	0 ohm (Jumper chip)	
Test pin	2	LC-2-S (EN, Lx)	Mac8
Terminal	4	tinned wire (VIN, VOUT, GND, GND)	
PCB	1	#128 XC9246/47	OKI

PCB mounted (SOT-26W)

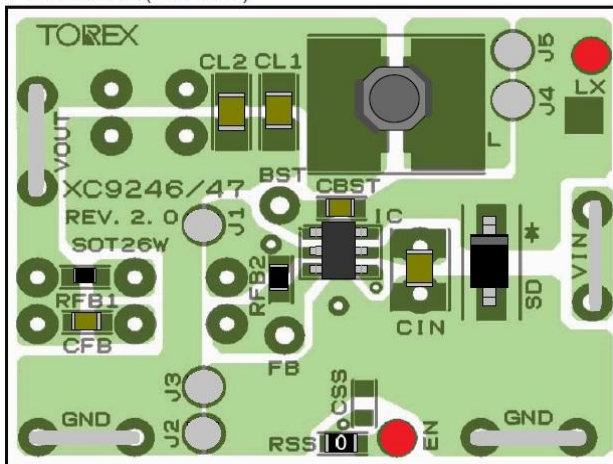


Fig. PCB