



Chipsmall Limited consists of a professional team with an average of over 10 year of expertise in the distribution of electronic components. Based in Hongkong, we have already established firm and mutual-benefit business relationships with customers from,Europe,America and south Asia,supplying obsolete and hard-to-find components to meet their specific needs.

With the principle of "Quality Parts,Customers Priority,Honest Operation,and Considerate Service",our business mainly focus on the distribution of electronic components. Line cards we deal with include Microchip,ALPS,ROHM,Xilinx,Pulse,ON,Everlight and Freescale. Main products comprise IC,Modules,Potentiometer,IC Socket,Relay,Connector.Our parts cover such applications as commercial,industrial, and automotives areas.

We are looking forward to setting up business relationship with you and hope to provide you with the best service and solution. Let us make a better world for our industry!



Contact us

Tel: +86-755-8981 8866 Fax: +86-755-8427 6832

Email & Skype: info@chipsmall.com Web: www.chipsmall.com

Address: A1208, Overseas Decoration Building, #122 Zhenhua RD., Futian, Shenzhen, China



REV	DOCUMENT	CHANGED BY	CHECK
4	0036649	SS 18JAN08	BLR

SERIES
 AMPLIFIED
 (4V SPAN)

DESIGNATES PRESSURE
 L - LOW PRESSURE (IN H₂O)
 - NO DESIGNATION (PSI)

PRESSURE RANGE Δ
 004, 010 IN H₂O
 00.3 01, 05, 15, 30,
 60, 100, 150 PSI

PACKAGE TYPE
 N - PLASTIC

PRESSURE REFERENCE
 G - GAGE
 D - DIFFERENTIAL
 A - ABSOLUTE* ≥ 5 PSIA

NOTES

$\Delta 1$ ALL PARAMETERS ARE MEASURED AT 5.0 VOLT EXCITATION, FOR THE NOMINAL FULL SCALE PRESSURE AND ROOM TEMPERATURE UNLESS OTHERWISE SPECIFIED. PRESSURE MEASUREMENTS ARE WITH POSITIVE PRESSURE APPLIED TO PORT 2 OR VACUUM TO PORT 1. FOR ABSOLUTE DEVICES PRESSURE IS APPLIED TO PORT 1

$\Delta 2$ SHIFT IS RELATIVE TO 25°C

$\Delta 3$ LINEARITY IS DETERMINED USING BEST STRAIGHT LINE CURVE FIT THROUGH ZERO, 1/2 FULL SCALE, AND FULL SCALE; HYSTERESIS IS MECHANICAL ONLY

$\Delta 4$ PROOF PRSSURE SHOULD NOT EXCEED 100 PSI AND BURST PRSSURE SHOULD NOT EXCEED 300 PSI

$\Delta 5$ HI/LO SPAN IS THE ALGEBRAIC DIFFERENCE OF OFFSET VOLTAGE AND HI OR LO OUTPUTS

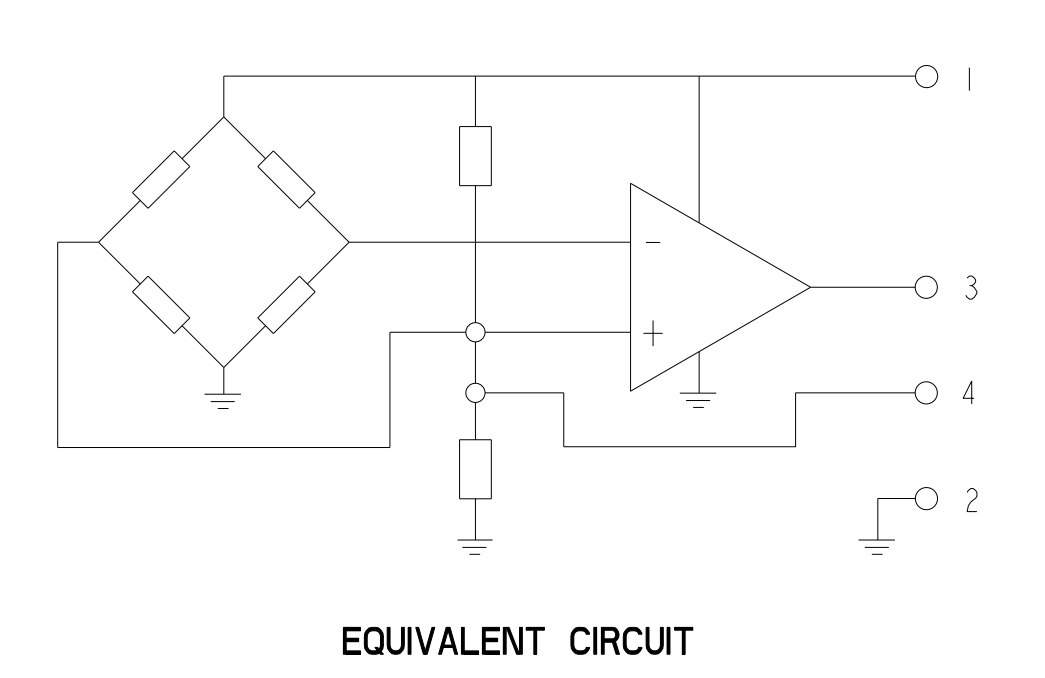
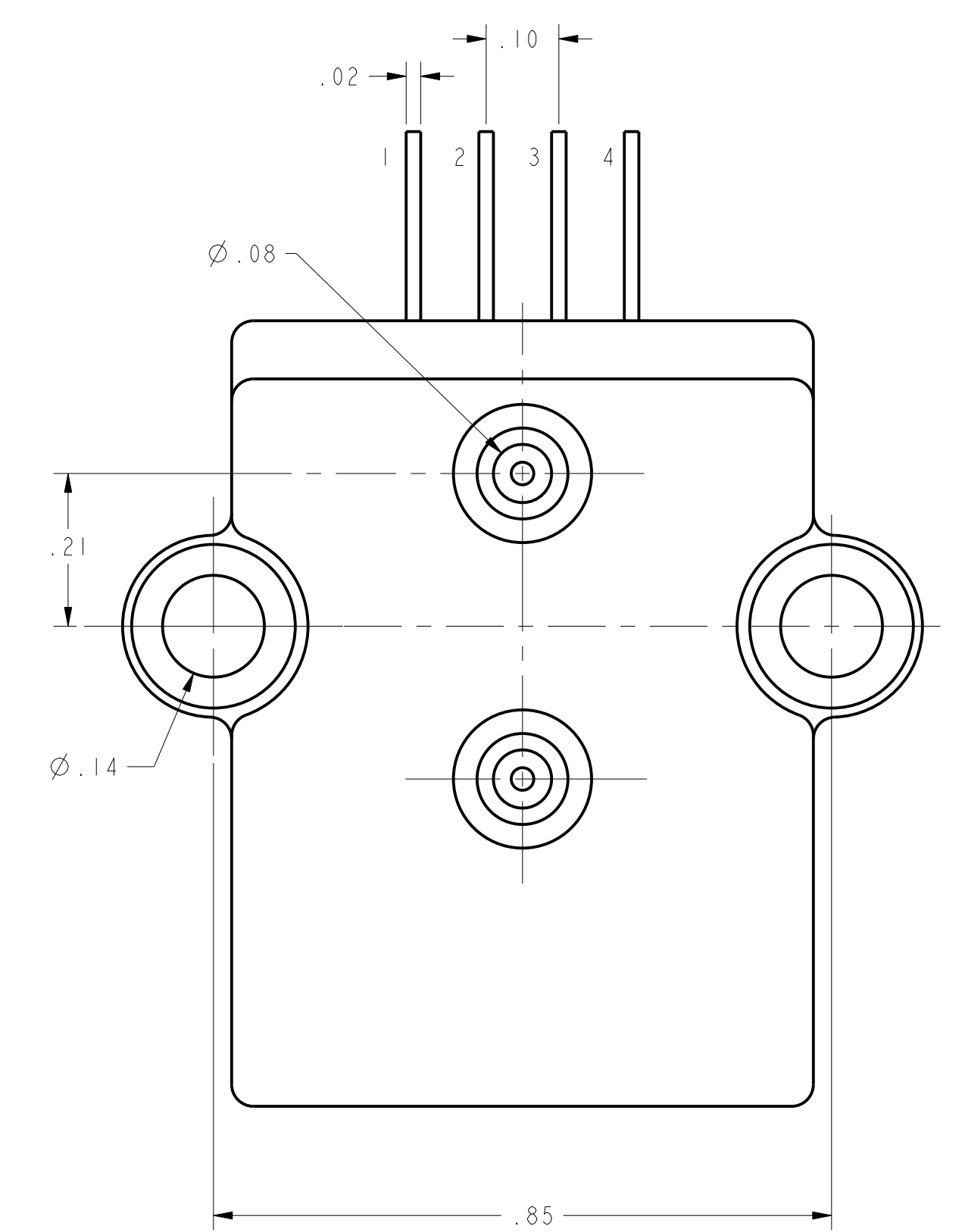
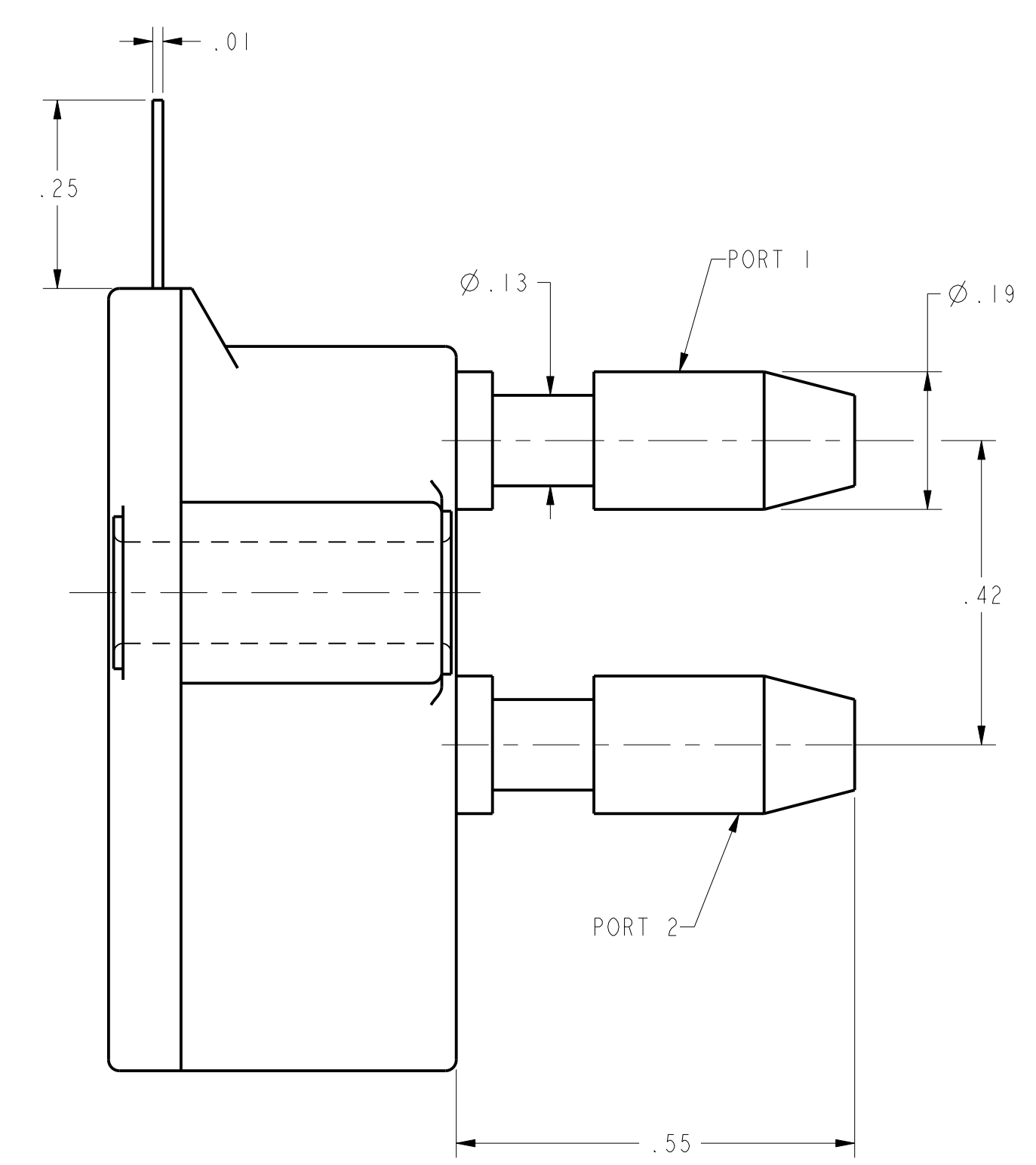
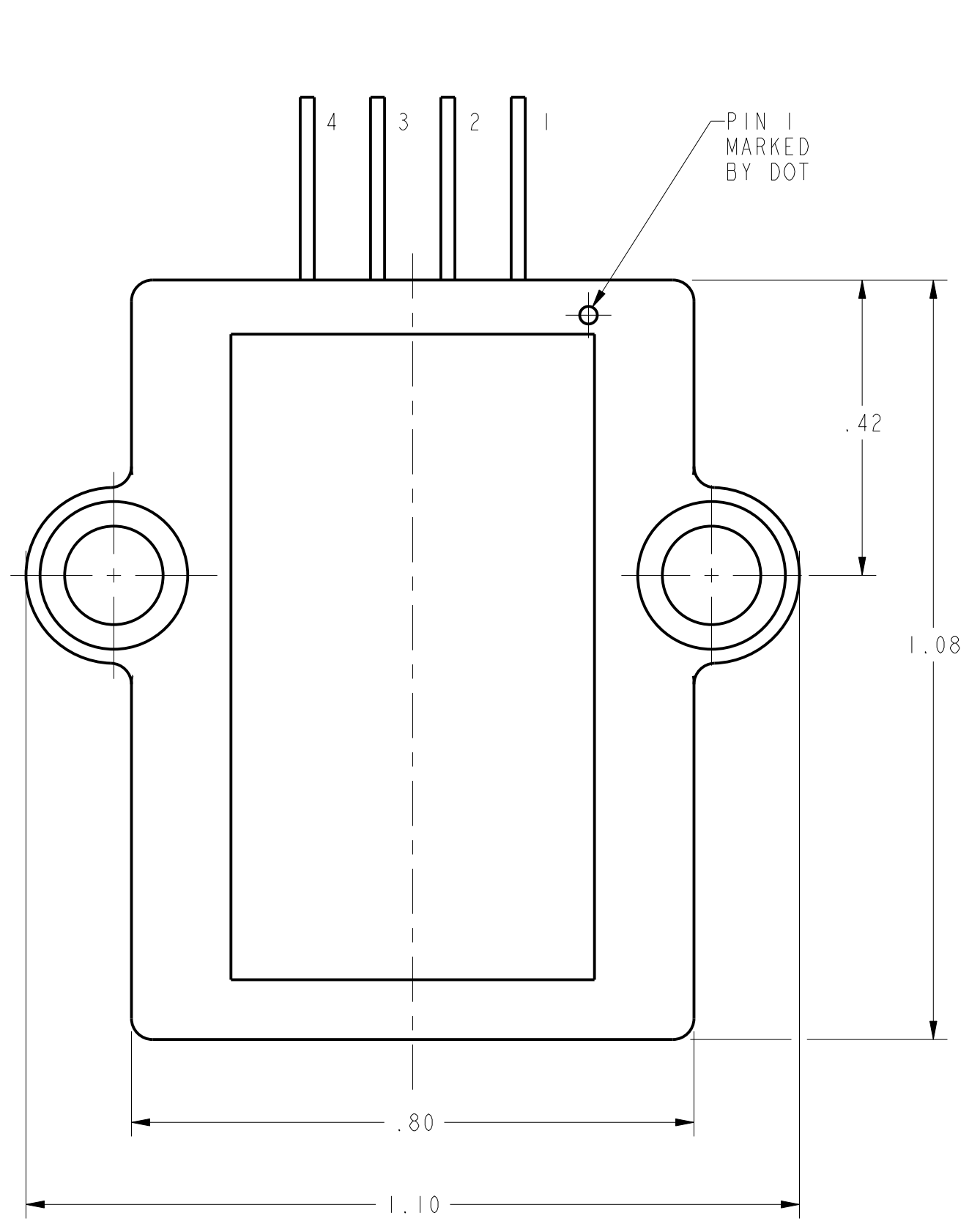
$\Delta 6$ SPAN IS THE ALGEBRAIC DIFFERENCE OF OUTPUT END POINTS

$\Delta 7$ PRESSURE RANGE DEPICTS THE FULL SCALE PRESSURE OF THE SENSOR

$\Delta 8$ FS REPRESENTS THE OUTPUT VALUE AT FULL SCALE PRESSURE

SPECIFICATIONS					
PARAMETER Δ		MIN	NOM	MAX	UNITS
DIFFERENTIAL	OFFSET VOLTAGE (OUTPUT AT 0 PSID)	2.200	2.250	2.300	V
	HI SPAN (P ₂ > P ₁) $\Delta 5$	1.950	2.000	2.050	
	LO SPAN (P ₁ > P ₂) $\Delta 5$	-1.950	-2.000	-2.050	
	SPAN (HI SPAN - LO SPAN) $\Delta 6$	---	4.000	---	
GAGE	OFFSET VOLTAGE (OUTPUT AT 0 PSIG)	0.200	0.250	0.300	V
	SPAN (P ₂ > P ₁) $\Delta 6$	3.900	4.000	4.100	
ABSOLUTE	OFFSET VOLTAGE (OUTPUT AT 0 PSIA)	0.200	0.250	0.300	V
	SPAN (PRESSURE APPLIED TO P1) $\Delta 6$	3.900	4.000	4.100	
EXCITATION VOLTAGE		3.0	5.0	16.0	V
TC SPAN (0°C-50°C) $\Delta 2$		---	± 0.6	± 1.0	%FS
TC OFFSET (0°C-50°C) $\Delta 2$		---	± 0.6	± 1.0	%FS
LINEARITY AND HYSTERESIS $\Delta 3$		---	± 0.3	± 0.5	%FS
REPEATABILITY		---	± 0.1	---	%FS
STORAGE TEMPERATURE RANGE		-40	---	125	°C
PROOF PRESSURE (VERIFIED BY DESIGN) $\Delta 4$		---	3X	---	FS
BURST PRESSURE (VERIFIED BY DESIGN) $\Delta 4$		---	5X	---	FS

MEDIA CAPABILITY, WETTED MATERIALS (APPLY CLEAN DRY AIR ONLY)	
PRESSURE PORT 2 (HIGH)	SILICON DIAPHRAGM, GLASS FILLED NYLON, AND ALUMINA CERAMIC
PRESSURE PORT 1 (LOW)	SILICON DIAPHRAGM, GLASS FILLED NYLON, AND ALUMINA CERAMIC



PIN OUT	
1	V _{EXCITATION}
2	COMMON
3	V _{OUTPUT}
4	V _{OFFSET}

CATALOG LISTINGS	
③	XCA400.3GN
③	XCA401GN
	XCA405GN
	XCA415GN
③	XCA460GN
	XCA4100GN
	XCA4150GN
	XCA405AN
	XCA415AN
	XCA430AN
	XCA460AN
	XCA4100AN
	XCA4150AN
	XCAL4004DN
	XCAL4010DN
④	XCA401DN
	XCA405DN
	XCA415DN
	XCA430DN
	XCA460DN
	XCA4100DN
	XCA4150DN

UNLESS OTHERWISE SPECIFIED TOLERANCES ARE:	<input checked="" type="checkbox"/> INCHES	<input type="checkbox"/> METRIC	DRAWN	SAV	04OCT00	
NO PLACE	X	$\pm .040$	$\pm .1$	CHECK	SAV	04OCT00
ONE PLACE	.X	$\pm .030$	± 0.4	THIS DRAWING COVERS A PROPRIETARY ITEM AND IS THE PROPERTY OF HONEYWELL. THIS DRAWING IS NOT TO BE COPIED OR USED WITHOUT THE PERMISSION OF HONEYWELL.		
TWO PLACE	.XX	$\pm .015$	± 0.15	DIMENSIONS ARE TO BE MET BEFORE PROTECTIVE COATINGS ARE APPLIED.		
THREE PLACE	.XXX	$\pm .005$	\pm	THIRD ANGLE PROJECTION		
ANGLES		\pm	\pm	DRAWING NAME		
RAW MATERIAL - COMMERCIAL STANDARD				XCA4/XCAL4 SERIES CHART 1		
SCALE			5:1	REV 4		
SHEET			1	OF 1		

Honeywell

PRESSURE SENSOR -

XCA4/XCAL4 SERIES CHART 1

REV 4