



Chipsmall Limited consists of a professional team with an average of over 10 year of expertise in the distribution of electronic components. Based in Hongkong, we have already established firm and mutual-benefit business relationships with customers from,Europe,America and south Asia,supplying obsolete and hard-to-find components to meet their specific needs.

With the principle of "Quality Parts,Customers Priority,Honest Operation,and Considerate Service",our business mainly focus on the distribution of electronic components. Line cards we deal with include Microchip,ALPS,ROHM,Xilinx,Pulse,ON,Everlight and Freescale. Main products comprise IC,Modules,Potentiometer,IC Socket,Relay,Connector.Our parts cover such applications as commercial,industrial, and automotives areas.

We are looking forward to setting up business relationship with you and hope to provide you with the best service and solution. Let us make a better world for our industry!



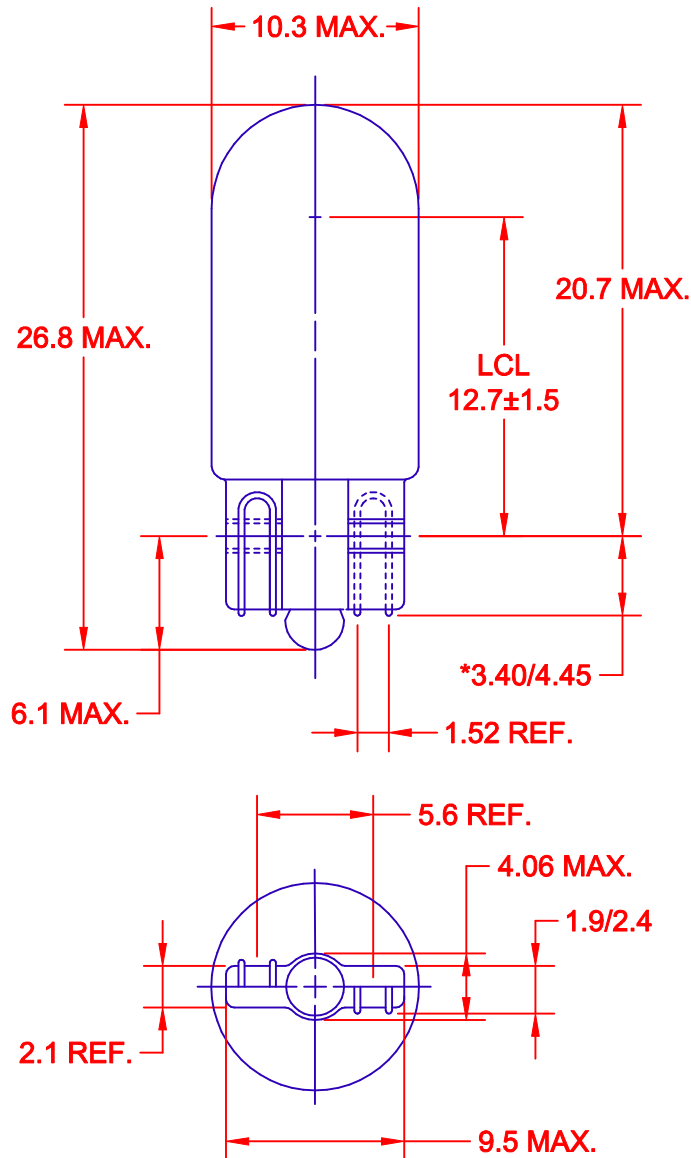
Contact us

Tel: +86-755-8981 8866 Fax: +86-755-8427 6832

Email & Skype: info@chipsmall.com Web: www.chipsmall.com

Address: A1208, Overseas Decoration Building, #122 Zhenhua RD., Futian, Shenzhen, China





*TO BE MEASURED ON LONGEST SIDE ONLY WITH THE WIRE IN INTIMATE CONTACT WITH THE BOTTOM OF THE GLASS WEDGE.

JKL LAMP NUMBER	VOLTS RATED	AMPS ±10%	MSCP ±25%	LUMENS ±25%	AVERAGE LIFE HRS.	FILAMENT TYPE	GAS TYPE.
Xe112	12.0	.270	3.00	37.66	1,000	C-2V	Xe

		METRIC THIRD ANGLE PROJECTION		DIMENSIONS ARE IN MILLIMETERS TOLERANCE UNLESS OTHERWISE SPECIFIED 1 PL +/- 2 PL +/- ANGLE +/-		JKL COMPONENTS CORPORATION TITLE T-3 1/4 WEDGE BASED LAMP WITH Xe GAS					
RELEASED AND CANCEL P-0105-15		6/27/01		DRAWN BY L. WENGSTROM	APP'VD BY DATE F.D. 6/27/01	SIZE A	FSCM NO. 55335	DRAWING NO. Xe112			
REV. NO.	DESCRIPTION/ECO NUMBER	APP'VD DATE	- CAD DRAWING - MANUAL REVISIONS NOT PERMITTED		SCALE	NONE	RELEASED DATE	6/27/01	REVISION DATE	REV. NO.	SHEET 1 of 1