



Chipsmall Limited consists of a professional team with an average of over 10 year of expertise in the distribution of electronic components. Based in Hongkong, we have already established firm and mutual-benefit business relationships with customers from,Europe,America and south Asia,supplying obsolete and hard-to-find components to meet their specific needs.

With the principle of “Quality Parts,Customers Priority,Honest Operation,and Considerate Service”,our business mainly focus on the distribution of electronic components. Line cards we deal with include Microchip,ALPS,ROHM,Xilinx,Pulse,ON,Everlight and Freescale. Main products comprise IC,Modules,Potentiometer,IC Socket,Relay,Connector.Our parts cover such applications as commercial,industrial, and automotives areas.

We are looking forward to setting up business relationship with you and hope to provide you with the best service and solution. Let us make a better world for our industry!



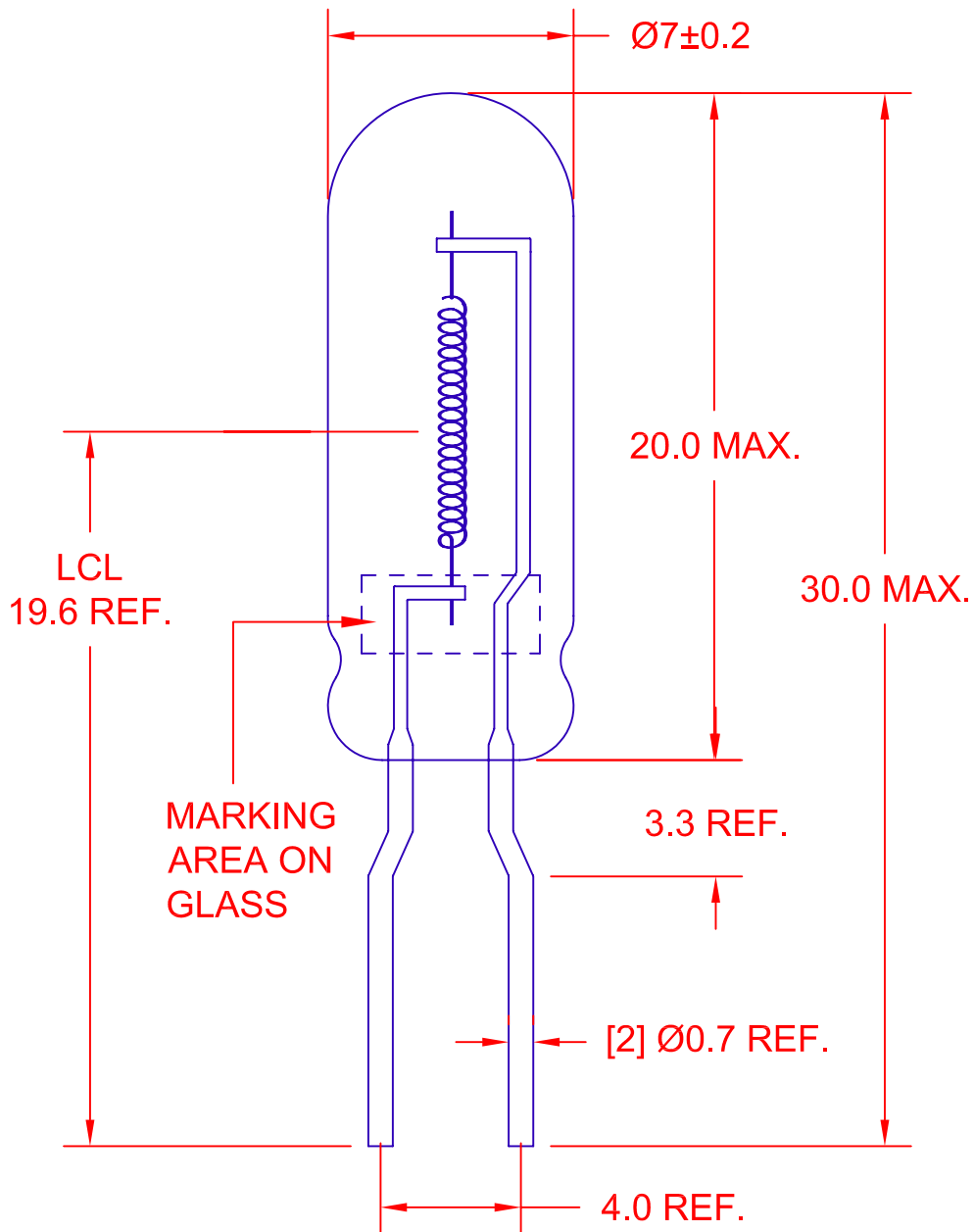
Contact us

Tel: +86-755-8981 8866 Fax: +86-755-8427 6832

Email & Skype: info@chipsmall.com Web: www.chipsmall.com

Address: A1208, Overseas Decoration Building, #122 Zhenhua RD., Futian, Shenzhen, China

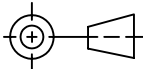




JKL PART NO.: Xe2405

JKL LAMP NUMBER	VOLTS (V)	AMPS (mA)	WATTS (W)	LUMENS (Lm)	MSCP (CP)	EFFICIENCY (Lm/W)	LIFE HOURS	FILAMENT TYPE	MARKING
Xe2405	24.0	208	5.0	40	3.2	8.0	10,000	C-8	24V 5W

XENON GAS FILLED LAMP

METRIC  THIRD ANGLE PROJECTION		DIMENSIONS ARE IN MILLIMETERS TOLERANCE UNLESS OTHERWISE SPECIFIED 1 PL +/- 0.2 2 PL +/- 0.1 ANGLE +/-		JKL COMPONENTS CORPORATION			
DRAWN BY L. WENGSTROM		APPV'D BY DATE L.R. 11/14/06		SIZE A	FSCM NO. 55335	DRAWING NO. Xe2405	
TITLE T-7 XENON GAS FILLED BI-PIN LAMP				SCALE NONE	RELEASED DATE 11/14/06	REVISION DATE	
CANCEL P-9907-16 & RELEASE TO CAD 11/14/06		APPV'D DATE		- CAD DRAWING - MANUAL REVISIONS NOT PERMITTED		REV. NO.	
REV. NO.	DESCRIPTION/ECO NUMBER	APPV'D DATE	NONE		11/14/06	SHEET 1 OF 1	