



Chipsmall Limited consists of a professional team with an average of over 10 year of expertise in the distribution of electronic components. Based in Hongkong, we have already established firm and mutual-benefit business relationships with customers from,Europe,America and south Asia,supplying obsolete and hard-to-find components to meet their specific needs.

With the principle of “Quality Parts,Customers Priority,Honest Operation,and Considerate Service”,our business mainly focus on the distribution of electronic components. Line cards we deal with include Microchip,ALPS,ROHM,Xilinx,Pulse,ON,Everlight and Freescale. Main products comprise IC,Modules,Potentiometer,IC Socket,Relay,Connector.Our parts cover such applications as commercial,industrial, and automotives areas.

We are looking forward to setting up business relationship with you and hope to provide you with the best service and solution. Let us make a better world for our industry!



Contact us

Tel: +86-755-8981 8866 Fax: +86-755-8427 6832

Email & Skype: info@chipsmall.com Web: www.chipsmall.com

Address: A1208, Overseas Decoration Building, #122 Zhenhua RD., Futian, Shenzhen, China



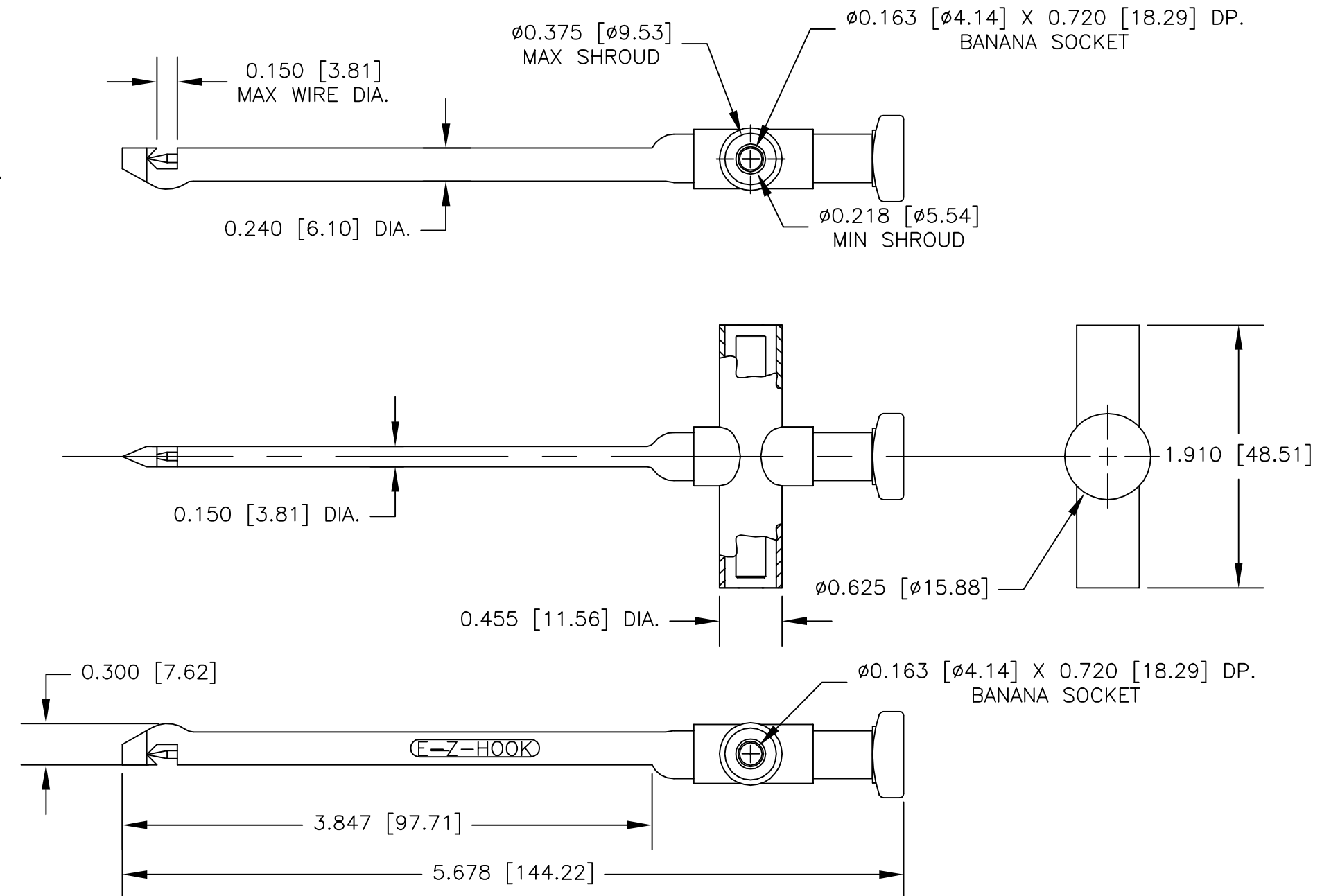
NOTES: UNLESS OTHERWISE SPECIFIED

1. CONSTRUCTION:
 HOUSING & PLUNGER & SLIDE: MOLDED NYLON 6,6.
 AVAILABLE IN TEN COLORS.
 CONTACT NEEDLE: STAINLESS STEEL.
 BANANA SOCKER: 360 1/2 HD. BRASS.
 COMPRESSION SPRING: STAINLESS STEEL.

2. PERFORMANCE:
 MAXIMUM CURRENT: 500 mA
 MAXIMUM VOLTAGE: 300 V
 MAXIMUM TEMPERATURE: 200°F (93°C)

2. FEATURES:
 NEEDLE PIERCES WIRE $\phi 0.050$ [$\phi 1.27$] TO $\phi 0.150$ [$\phi 3.81$].
 DOUBLE BANANA SOCKET.
 ACCEPTS SHROUDED AND UNSHROUDED BANANA PLUGS.

LTR	DESCRIPTION	DATE	APPROVE



UNLESS OTHERWISE SPECIFIED DIMENSIONS ARE IN INCHES TOLERANCES ARE: FRACTIONS DECIMALS ANGLES ± .XX ± ± .XXX ±		CONTRACT NO.		E-Z-HOOK DIVISION OF TEKTEST INC. ARCADIA, CA 91006 U.S.A.			
MATERIAL SEE NOTE.		APPROVALS DRAWN R.L. 6/09					
FINISH SEE NOTE.		APPROVED BY		DESCRIPTION E-Z-MACRO HOOK INSULATION-PIERCING			
NEXT ASSY	USED ON	SCALE		SIZE	CODE IDENT NO.	DRAWING NO.	REV
APPLICATION		DO NOT SCALE DRAWING		B	08505	XEL	
				SCALE 1:1		SHEET 1 OF 1	