



Chipsmall Limited consists of a professional team with an average of over 10 year of expertise in the distribution of electronic components. Based in Hongkong, we have already established firm and mutual-benefit business relationships with customers from,Europe,America and south Asia,supplying obsolete and hard-to-find components to meet their specific needs.

With the principle of “Quality Parts,Customers Priority,Honest Operation,and Considerate Service”,our business mainly focus on the distribution of electronic components. Line cards we deal with include Microchip,ALPS,ROHM,Xilinx,Pulse,ON,Everlight and Freescale. Main products comprise IC,Modules,Potentiometer,IC Socket,Relay,Connector.Our parts cover such applications as commercial,industrial, and automotives areas.

We are looking forward to setting up business relationship with you and hope to provide you with the best service and solution. Let us make a better world for our industry!



## Contact us

Tel: +86-755-8981 8866 Fax: +86-755-8427 6832

Email & Skype: info@chipsmall.com Web: www.chipsmall.com

Address: A1208, Overseas Decoration Building, #122 Zhenhua RD., Futian, Shenzhen, China





Hi-Rel COTS

## Ruggedised COTS AC/DC Power Supply

Ultra-high efficiency 1U size



### PLUG & PLAY POWER next generation power source

#### FEATURES

- MIL-STD-810G: Shock & Vibration
- MIL-STD-461F: EMC
- Conformal Coated & Ruggedised as standard
- Operating temperature range of -55 to 70 °C
- 47-440Hz input frequency
- Anti-Vibration Compound
- 1.5V to 58V standard output voltages
- All outputs fully floating
- Extra low profile: 1U height (40mm)
- Ultra high efficiency, up to 91%
- Plug & Play Power
  - allows fast custom configuration
  - Outputs completely field configurable with option to factory fix
- Series / Parallel outputs for higher voltages and currents
- Parallel powerpacs for higher power
- OVP, OTP, OCP as standard
- 5V/250mA bias standby voltage provided
- Individual output control
- 3 Year Warranty

#### APPLICATIONS INCLUDE

- Harsh Industrial Electronics
- Radar (Naval, Ground Based)
- Communications
- Test & Measurement

The XF family of power supplies provides up to an incredible 1000W in an extremely compact 1U x 268 x 127mm package. Employing an innovative plug & play architecture the XF family brings unprecedented flexibility that allows users to instantly configure a custom power solution in less than 5 minutes.

Designed for use in harsh operating environments, the XF family is conformal coated and ruggedised to withstand extremes in shock and vibration as well as operation over a wide temperature range of -55 to 70°C. Applications include Harsh Industrial, Test and Measurement, Communications, Fixed and Mobile Radar and Military Electronics which require COTS solutions.

All configurations carry full safety agency approvals, including UL60950 and EN60950 and are fully characterised for EMC according to MIL-STD-461F. All configurations meet the MIL-STD-810G standard for shock and vibration. EMC characterisation, Shock and Vibration and Thermal Stress reports are available.

For further details please contact [support@excelsys.com](mailto:support@excelsys.com).

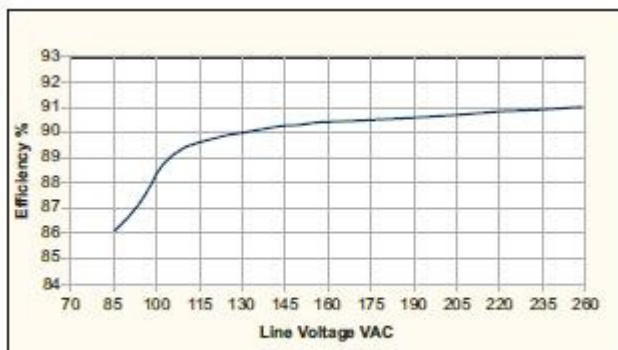
#### powerMods

MODEL	Vtrim	Vmin	Vnom	Vmax	I max	Watts
Xg1	1.0	1.5	2.5	3.6	50A	125W
Xg2	1.5	3.2	5.0	6.0	40A	200W
Xg3	4.0	6.0	12.0	15.0	20A	240W
Xg4	8.0	12.0	24.0	28.0	10A	240W
Xg5	8.0	24.0	48.0	53.0	6A	288W
Xg7	5.0	5.0	24.0	28.0	5A	120W
Xg8	v1	5.0	24.0	28.0	2.5A	48W
	v2	5.0	24.0	28.0	2.5A	48W

#### powerPacs

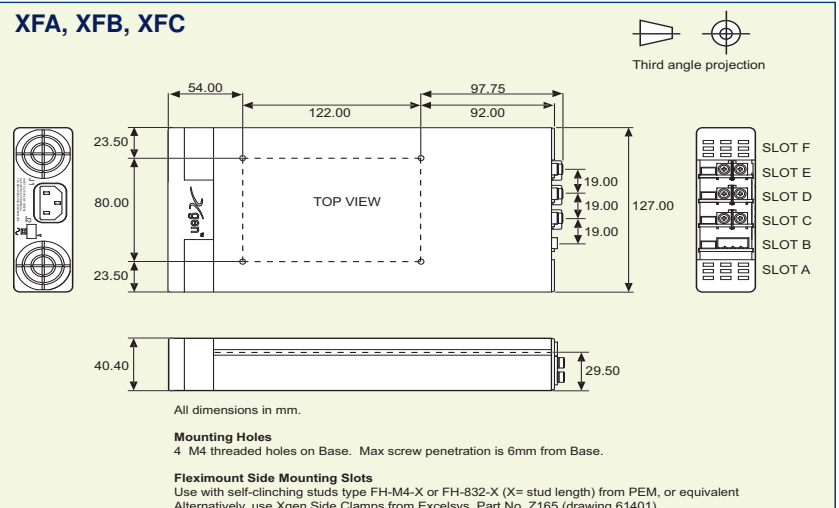
	Model	Watts
Hi-Rel COTS	XFA	400W
	XFB	700W
	XFC	1000W

#### EFFICIENCY (typical)



#### MECHANICAL SPECIFICATIONS

##### XFA, XFB, XFC



**SPECIFICATION** applies to configured units consisting of **powerMods** modules plugged into the appropriate **powerPac**

INPUT					
Parameter	Conditions/Description	Min	Nom	Max	Units
<b>Input Voltage Range</b>	Universal Input 47 - 63Hz.	85		264	VAC
	Input: 390 - 440Hz.	90		120	VAC
<b>Power Rating</b>	XFA			400	W
	XFB			700	W
	XFC			1000	W
<b>Input Current</b>	XFA 85VAC in 400W out		7.5		A
	XFB 85VAC in 700W out		9.5		A
	XFC 85VAC in 765W out		11.5		A
<b>Inrush Current</b>	230VAC @ 25°C			25	A
<b>Undervoltage Lockout</b>	Shutdown	65		74	VAC
<b>Fusing</b>	XFA 250V		F8A HRC		
	XFB 250V		F10A HRC		
	XFC 250V		F12A HRC		

OUTPUT					
Parameter	Conditions/Description	Min	Nom	Max	Units
<b>powerMod Power</b>	As per powerMod table				
<b>Output Adjustment Range</b>	Manual or Electronic				
	As per powerMod Table				
<b>Minimum Load</b>			0		A
<b>Line Regulation</b>	For ±10% change from nominal line			±0.1	%
<b>Load &amp; Cross Regulation</b>	For 25% to 75% load change			±0.2	%
<b>Transient Response</b>	For 25% to 75% load change Voltage Deviation Settling Time			10	%
				250	µs
<b>Ripple and Noise</b>	20MHz Bandwidth 100mv or 1.0% pk-pk				
<b>Overvoltage Protection</b>	Two-Level: 1st Level: Vset Tracking. 2nd Level: Vmax (Latching)	110	130	150	%
<b>Overcurrent Protection</b>	Straight line with hiccup activation at <30% of Vnom	110		120	%
<b>Remote Sense</b>	Max. line drop compensation. (except Xg7, Xg8)			0.5	VDC
<b>Overshoot</b>				2	%
<b>Turn-on Delay</b>	From AC In / Enable signal			600 / 30	ms
<b>Rise Time</b>	Monotonic			5	ms
<b>Hold-up Time</b>	For nominal output voltages at full load.	20			ms
<b>Output Isolation</b>	Output to Output / Output to Chassis	500 / 500			VDC

GENERAL					
Parameter	Conditions/Description	Min	Nom	Max	Units
<b>Isolation Voltage</b>	Primary to Secondary	3000			VAC
	Input to Chassis	1500			VAC
<b>Efficiency</b>	230VAC, 1000W @ 24V		91		%
<b>Safety Agency Approvals</b>	EN60950, UL60950, CSA22.2 No.950 UL File No. E181875				
<b>Earth Leakage Current</b>	230VAC, 50Hz, 25°C			1.5	mA
<b>Bias Supply</b>	Always ON. Current 250mA	4.8	5.0	5.5	VDC
<b>Reliability</b>	Telcordia SR-332 at 25°C and full load powerMod			1020	kh
	Telcordia SR-332 at 25°C and full load powerPac(excludes fans)			1057	kh
	MIL-STD-217F at 25°C and full load powerMod			86	kh
	MIL-STD-217F at 25°C and full load powerPac (excludes fans)			77	kh

EMC					
Parameter	Standard		Level		Units
<b>Emissions</b>					
<b>Conducted</b> (note 5)	EN55011, EN55022, FCC: Level B		Compliant		
<b>Radiated</b> (note 5)	EN55011, EN55022, FCC: Level B		Compliant		
<b>Harmonic Distortion</b>	EN61000-3-2 Class A & MIL-STD-1399 SECTION 300A		Compliant		
<b>Flicker and Fluctuation</b>	EN61000-3-3		Compliant		
<b>Immunity</b>					
<b>Electrostatic Discharge</b>	EN61000-4-2: Level 2		Compliant		
<b>Radiated RFI</b>	EN61000-4-4: Level 3 & MIL-STD-461F		Compliant		
<b>Fast Transients - burst</b>	EN61000-4-4: Level 3		Compliant		
<b>Input Line Surges</b>	EN61000-4-5: Level 3 & MIL-STD-1399		Compliant		
<b>Conducted RFI</b>	EN61000-4-6: Level 3 & MIL-STD-461F		Compliant		
<b>Voltage Dips</b>	EN61000-4-11 & MIL-STD-704		Compliant		

ENVIRONMENTAL					
Parameter	Conditions/Description	Min	Nom	Max	Units
<b>Operating Temperature</b>		-55		+70	°C
<b>Storage Temperature</b>		-55		+75	°C
<b>Derating</b>	Contact Excelsys for full temperature deratings				
<b>Acoustic Noise</b>			56.5		dBA
<b>Relative Humidity</b>	Non-condensing	5		95	%RH
<b>Shock</b>	3000 Bumps, 10G (16ms) half sine				
<b>Vibration</b>	1.5G : MIL-STD-810G	10		500	Hz

- NOTES**
1. This product is not intended for use as a stand alone unit and must be installed by qualified personnel.
  2. The specifications contained herein are believed to be correct at time of publication and are subject to change without notice.
  3. All specifications at nominal input, full load, 25°C unless otherwise stated.
  4. When powering inductive or capacitive loads, it is recommended to use a blocking diode on the output.
  5. An external filter is required to meet the conducted and radiated emissions requirements for MIL-STD-461F.  
For further details contact support@excelsys.com .



<p><b>Europe/Asia</b> Excelsys Technologies Ltd 27 Eastgate Drive Eastgate Business Park Little Island, Cork, Ireland IRELAND</p>	<p>t: +353 21 4354716 f: +353 21 4354864 e: sales@excelsys.com</p>	<p><b>North America</b> Excelsys Technologies 519 Interstate 30, #309 Rockwall, TX 75087 USA</p>	<p>t: (972) 771 4544 f: (972) 421 1805 e: salesusa@excelsys.com</p>
---	--	--	---

## Voltage Adjustment - Local

The multi-turn potentiometer that adjusts each output within the specified range may be accessed via the output panel of the power supply. Clockwise rotation increases output voltage. Resolution is approximately 5% of nominal voltage (Vnom) per turn. Certain applications may require military grade potentiometer or fixed resistors - consult Excelsys for details.

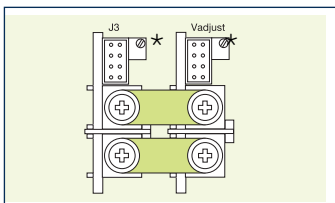
## Voltage Adjustment - Remote (resistive / electronic)

The output voltage may be adjusted or trimmed by means of an external resistor or potentiometer network connected to the Vtrim pin. Linear Electronic programming is also possible and may be implemented according to the formula  $V_{out} = K V_{control}$ .

## Parallel Connection

To achieve increased current capacity, simply parallel outputs using the standard parallel links. Excelsys 'wireless' sharing ensures that current hogging is not possible. To parallel connect outputs:

1. Switch on IShare switch to ON on powerMods.
2. Connect Negative parallel link.
3. Adjust output voltages of powerMods to within 5mV of each other.
4. Connect Positive Parallel Link.

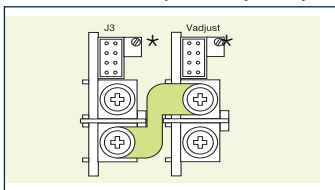


Parallel Links available to order. Part Number XP1

\*Certain applications may require military grade potentiometer or fixed resistors - consult Excelsys for details.

## Series Connection

To achieve increased output voltages, simply series outputs using standard series links, paying attention to the requirements to maintain SELV levels if required in your system.



Series Links available to order. Part Number XS1

\*Certain applications may require military grade potentiometer or fixed resistors - consult Excelsys for details.

## Remote Sensing

When the load is remote from the power supply, the remote sense pins may be used to compensate for dynamic impedance effects caused by the power cabling.

## Bias Voltage

A SELV isolated 5V (always on) bias voltage rated at 250mA is provided on J2 to facilitate miscellaneous system control functions.

## Current Limit Adjustment

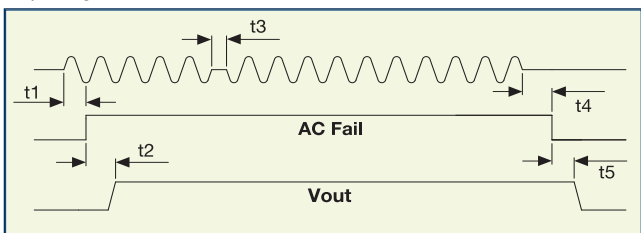
The output current limit setting may be adjusted (downwards only) by means of an external resistor connection to the I trim pin.

## Inhibit/Enable

Inhibiting may be implemented either globally or on a per module basis (*powerPac* or *powerMod* inhibiting). Reverse logic (Enabling) may also be implemented.

## AC Fail

Open collector signal indicating that the input voltage has failed or is less than 80Vac. This signal changes state giving 5ms of warning before loss of output regulation.

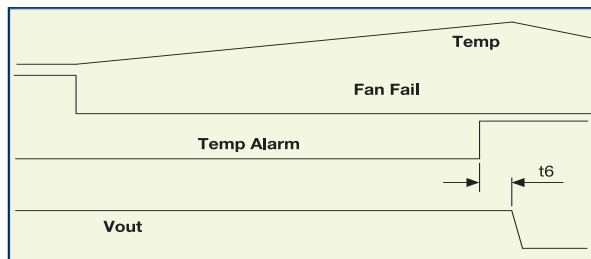


## Temperature Alarm (Option 01)

Open collector signal indicating excessive *powerPac* temperatures due to fan failure or operation beyond ratings. This signal is activated at least 10ms prior to system shutdown.

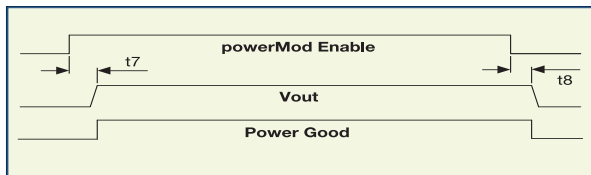
## Fan Fail (Option 01)

Open collector signal indicating that at least one of the system fans have failed. This does not cause system shutdown.



## Power Good

Opto-isolated output signal indicates that the *powerMod* is operating correctly and output voltage is within normal band. Opto transistor ON = Good.



## Indication LED's

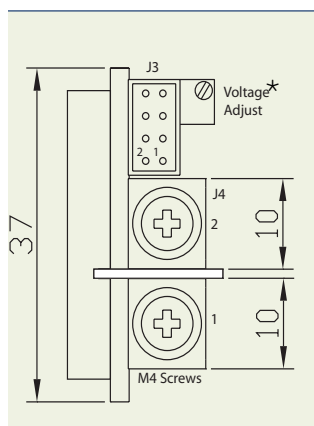
Each *powerMod* has a visual indicator to identify that it is operating within normal ratings. Very useful for system diagnosis.

## Signal Connector Pinout

Pin	J2 ( <i>powerPac</i> )	J3 ( <i>powerMod</i> ) Type A	J3 ( <i>powerMod</i> ) Type B
1	common	+sense	+pg (V2)
2	+5V bias	-sense	-pg (V2)
3		V trim	inhibit (V2)
4	ac fail	I trim	common (V2)
5	fan fail	+inhibit/enable	+pg (V1)
6	global enable	-inhibit/enable	-pg (V1)
7	temp alarm	+power good	inhibit (V1)
8	global inhibit	-power good	common (V1)

## Signal Connector Pinout

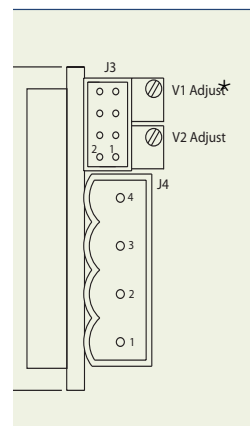
### TYPE A Xg1-Xg7



J4 Connector : M4 Screw  
J3 Connector Mating Connector  
Housing: Locking Molex 51110-0860  
Non Locking Molex 51110-0850  
Crimp Terminal: Molex p/n 50394

\*Certain applications may require military grade potentiometer or fixed resistors - consult Excelsys for details.

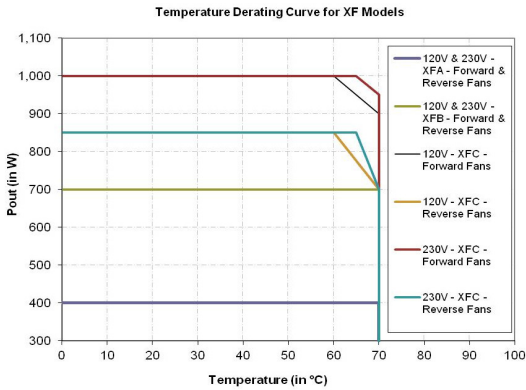
### TYPE B : Xg8



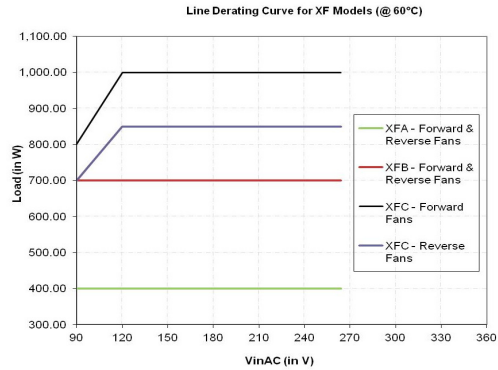
J4 Connector : Camden 9200/4A  
J3 Connector Mating Connector  
Housing: Locking Molex 51110-0860  
Non Locking Molex 51110-0850  
Crimp Terminal: Molex p/n 50394

\*Certain applications may require military grade potentiometer or fixed resistors - consult Excelsys for details.

## XF Series Derating Curves



## XF Series Derating Curves



Hi-Rel COTS

### powerMods (for use with all powerPac models)

MODEL	Vmin Vtrim	Vnom Vpot *	Vnom	Vmax	Imax	Watts
Xg1	1.0	1.5	2.5	3.6	50A	125W
Xg2	1.5	3.2	5.0	6.0	40A	200W
Xg3	4.0	6.0	12.0	15.0	20A	240W
Xg4	8.0	12.0	24.0	28.0	10A	240W
Xg5	8.0	24.0	48.0	53.0	6A	288W
Xg7	5.0	5.0	24.0	28.0	5A	120W
Xg8	v1	5.0	24.0	28.0	2.5A	48W
	v2	5.0	24.0	28.0	2.5A	48W

\*Certain applications may require military grade potentiometer or fixed resistors - consult Excelsys for details.

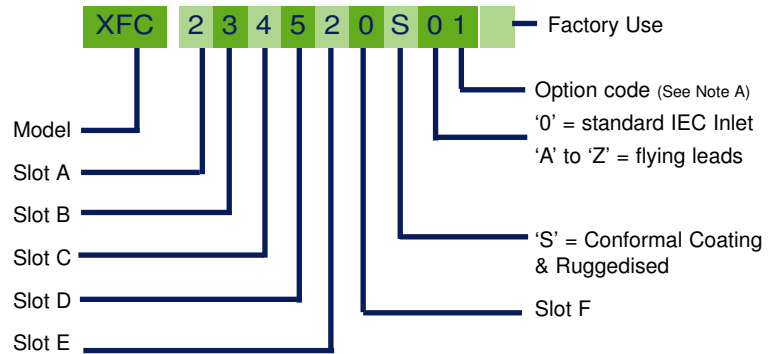
### powerPacs (6slot package, 127mm wide)

	MODEL	Watts
XF	XFA	400W
	XFB	700W
	XFC	1000W

## Part Numbering

**Configured Units** may be specified and ordered using the part numbering system shown opposite. For example, part number XFC123420-00 specifies the following 1000W power supply.

- XFC-00 powerPac 1000W powerPac
- Xg1 2.5V @ 50A powerMod
- Xg2 5V @ 40A powerMod
- Xg3 12V @ 20A powerMod
- Xg4 24V @ 10A powerMod
- Xg2 5V @ 40A powerMod



**Note A: Option Codes**  
1= Standard Model (with Thermal Signals)  
3= Reverse Fan  
5= Low Leakage Current  
7= Low Leakage Current & Reverse Fan

## Accessories

PowerMods can be parallel connected for higher current and series connected for higher voltages. Configured units will have parallel and series links fitted as required.

## Powerpac Connector Options

The default AC input connector is IEC however Xgen can also be supplied with a 3-wire input cable.

