



Chipsmall Limited consists of a professional team with an average of over 10 year of expertise in the distribution of electronic components. Based in Hongkong, we have already established firm and mutual-benefit business relationships with customers from,Europe,America and south Asia,supplying obsolete and hard-to-find components to meet their specific needs.

With the principle of “Quality Parts,Customers Priority,Honest Operation,and Considerate Service”,our business mainly focus on the distribution of electronic components. Line cards we deal with include Microchip,ALPS,ROHM,Xilinx,Pulse,ON,Everlight and Freescale. Main products comprise IC,Modules,Potentiometer,IC Socket,Relay,Connector.Our parts cover such applications as commercial,industrial, and automotives areas.

We are looking forward to setting up business relationship with you and hope to provide you with the best service and solution. Let us make a better world for our industry!



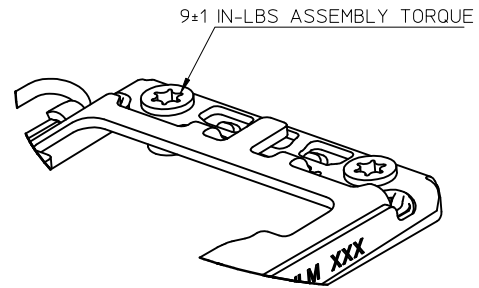
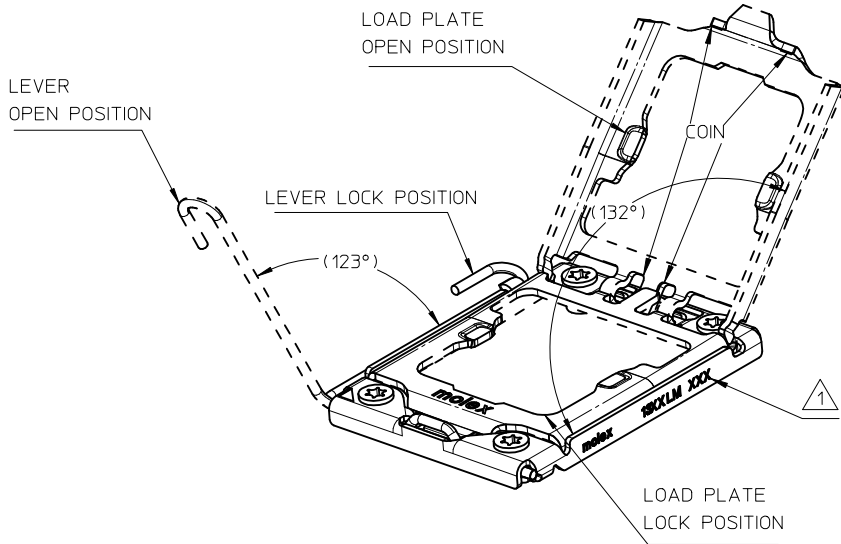
Contact us

Tel: +86-755-8981 8866 Fax: +86-755-8427 6832

Email & Skype: info@chipsmall.com Web: www.chipsmall.com

Address: A1208, Overseas Decoration Building, #122 Zhenhua RD., Futian, Shenzhen, China



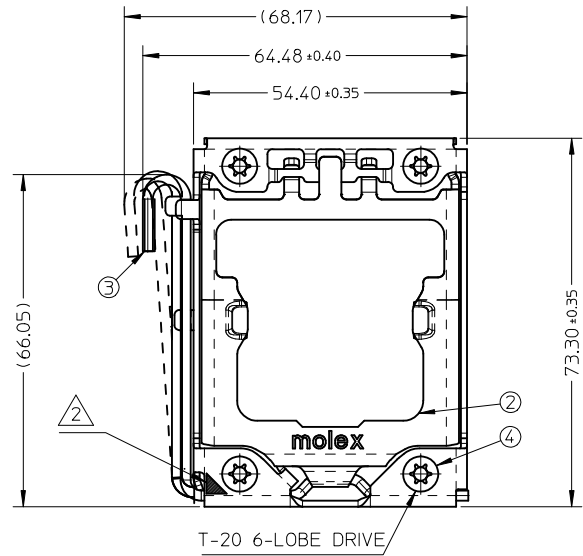


SCALE 2:1
DETAIL 1

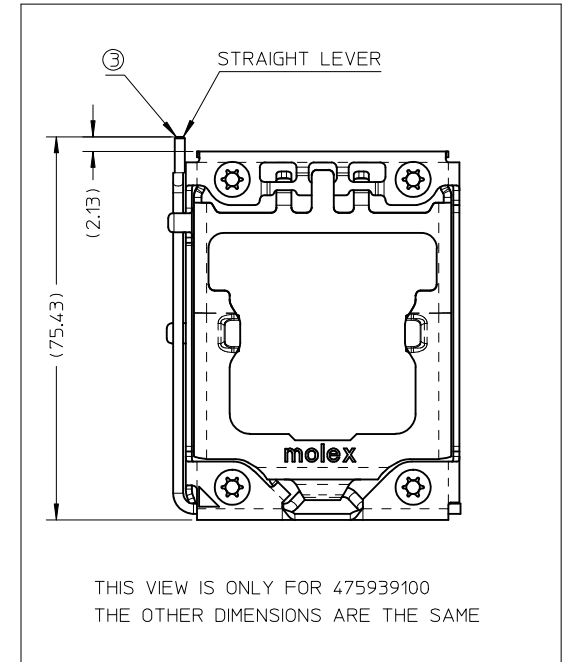
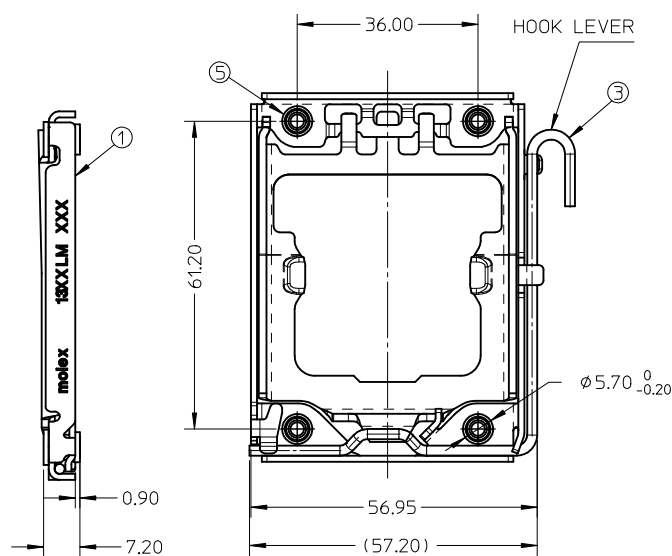
NOTES:

- 1. DATE CODE
- 2. INK MARKING, FILL AREA WITH BLACK.
- 3. THE PARTS 47593-9*** COMPLIANT TO RoHS DIRECTIVE 2002/95/EC AND ELV 2000/53/EC.

ENTER DESCRIPTION EC NO: SH2012-0262 DRWN: ZHANG11 2012/02/13 CHKD: APPR: AYIN 2012/02/23	DESCRIPTION REV	QUALITY SYMBOLS	GENERAL TOLERANCES (UNLESS SPECIFIED)		DIMENSION STYLE MM ONLY		SCALE 1:1	DESIGN UNITS METRIC	THIRD ANGLE PROJECTION		
		$F_A=0$ $F_G=0$ $F_P=0$	mm INCH 4 PLACES ± --- ± --- 3 PLACES ± --- ± --- 2 PLACES ± 0.2 ± --- 1 PLACE ± 0.3 ± --- ANGULAR ± 1/2°	DRAWN BY YQSUN	DATE 2008/10/14	TITLE 13XX ILM ASSEMBLY					
			DRAFT WHERE APPLICABLE MUST REMAIN WITHIN DIMENSIONS	CHECKED BY FORD LIU	DATE 2008/10/14	MOLEX INCORPORATED DOCUMENT NO. SD-47593-900					
				APPROVED BY AYIN	DATE 2010/10/22	SHEET NO. 1 OF 3					
			SIZE A3		THIS DRAWING CONTAINS INFORMATION THAT IS PROPRIETARY TO MOLEX INCORPORATED AND SHOULD NOT BE USED WITHOUT WRITTEN PERMISSION						



THIS VIEW IS ONLY FOR 475939000

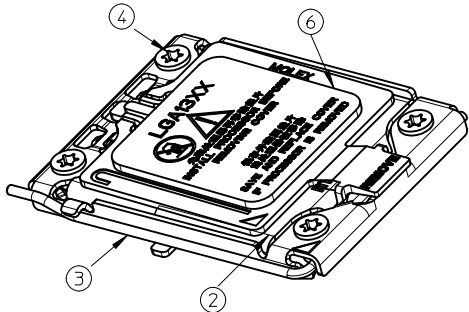


475939005	(5)	4	SOCKET 13XX FASTENER COLLAR	STEEL WITH NICKEL PLATING
475939004	(4)	4	SOCKET 13XX FASTENER NUT	STEEL WITH NICKEL PLATING
475939003	475939103	(3)	HOOK LEVER STRAIGHT LEVER	STAINLESS STEEL
475939002	(2)	1	SOCKET 13XX ILM LOAD PLATE	STAINLESS STEEL
475939001	(1)	1	SOCKET 13XX ILM FRAME	STEEL WITH NICKEL PLATING
475939000	475939100		1	SOCKET 13XX ILM ASSEMBLY
PART NO.	ITEM NO	QTY	DESCRIPTION	MATERIAL

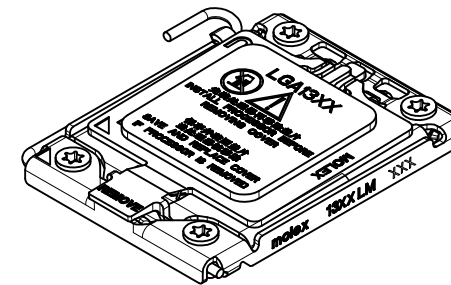
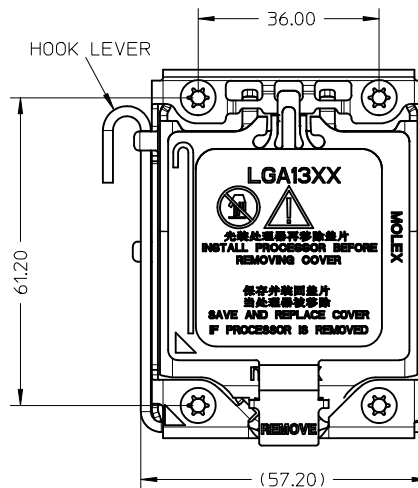
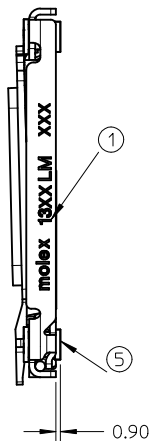
475939100	STRAIGHT LEVER	WITHOUT ILM COVER
475939000	HOOK LEVER	
PART NO.	DESCRIPTION	

ENTER DESCRIPTION EC NO: SH2012-0262 DRWN: JZHANG11 2012/02/13 CHKD: APPR: AYIN 2012/02/23	QUALITY SYMBOLS	GENERAL TOLERANCES (UNLESS SPECIFIED)	DIMENSION STYLE	SCALE	DESIGN UNITS	THIRD ANGLE PROJECTION
	$\nabla_A = 0$ $\nabla_C = 0$ $\nabla_F = 0$	mm INCH 4 PLACES ± --- ± --- 3 PLACES ± --- ± --- 2 PLACES ± 0.2 ± --- 1 PLACE ± 0.3 ± --- ANGULAR ± 1/2°	MM ONLY	1:1	METRIC	
	DRAFT WHERE APPLICABLE MUST REMAIN WITHIN DIMENSIONS	DRAWN BY: YQSUN CHECKED BY: FORD LIU APPROVED BY: AYIN MATERIAL NO.	DATE: 2008/10/14 DATE: 2008/10/14 DATE: 2010/10/22	TITLE: 13XX ILM ASSEMBLY		
	SEE TABLE	MOLEX INCORPORATED DOCUMENT NO. SD-47593-900			SHEET NO. 2 OF 3	

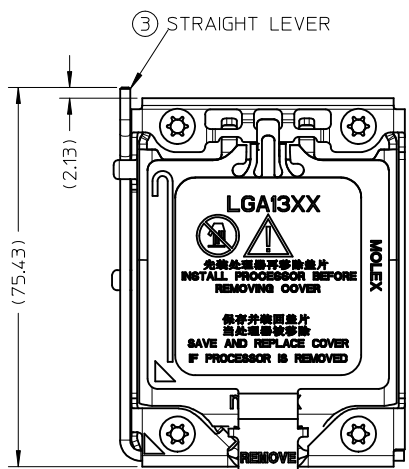
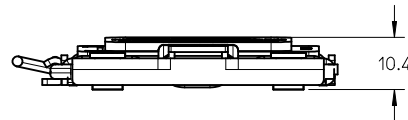
10 9 8 7 6 5 4 3 2 1



THIS VIEW IS ONLY FOR 475939170
THE OTHER DIMENSIONS ARE THE SAME.



THIS VIEW IS ONLY FOR 475939070



475930403	⑥	1	SOCKET 13XX ILM COVER	PC/ABS
475939005	⑤	4	SOCKET 13XX FASTENER COLLAR	STEEL WITH NICKEL PLATING
475939004	④	4	SOCKET 13XX FASTENER NUT	STEEL WITH NICKEL PLATING
475939003	③	1	HOOK LEVER	STAINLESS STEEL
475939002	②	1	SOCKET 13XX ILM LOAD PLATE	STAINLESS STEEL
475939001	①	1	SOCKET 13XX ILM FRAME	STEEL WITH NICKEL PLATING
475939070		1	SOCKET 13XX ILM ASSEMBLY	
PART NO.	ITEM NO	QTY	DESCRIPTION	MATERIAL

475939170	STRAIGHT LEVER	WITH ILM COVER
475939070	HOOK LEVER	
PART NO.	DESCRIPTION	

ENTER DESCRIPTION
EC NO: SH2012-0262
DRWN: ZHANG11 2012/02/13
CHKD:
APPR: AYIN 2012/02/23

QUALITY SYMBOLS
FA=0
FB=0
FC=0

GENERAL TOLERANCES (UNLESS SPECIFIED)

	mm	INCH
4 PLACES	± ---	± ---
3 PLACES	± ---	± ---
2 PLACES	± 0.2	± ---
1 PLACE	± 0.3	± ---

ANGULAR ±1/2°

DRAFT WHERE APPLICABLE
MUST REMAIN WITHIN DIMENSIONS

DIMENSION STYLE
MM ONLY

DRAWN BY	DATE
YOSUN	2008/10/14
CHECKED BY	DATE
FORD LIU	2008/10/14
APPROVED BY	DATE
AYIN	2010/10/22

MATERIAL NO.
SEE TABLE

SCALE 1:1
DESIGN UNITS METRIC
THIRD ANGLE PROJECTION

TITLE
13XX ILM ASSEMBLY

MOLEX MOLEX INCORPORATED
DOCUMENT NO. SD-47593-900
SHEET NO. 3 OF 3

THIS DRAWING CONTAINS INFORMATION THAT IS PROPRIETARY TO MOLEX INCORPORATED AND SHOULD NOT BE USED WITHOUT WRITTEN PERMISSION

9 8 7 6 5 4 3 2 1