



Chipsmall Limited consists of a professional team with an average of over 10 year of expertise in the distribution of electronic components. Based in Hongkong, we have already established firm and mutual-benefit business relationships with customers from,Europe,America and south Asia,supplying obsolete and hard-to-find components to meet their specific needs.

With the principle of “Quality Parts,Customers Priority,Honest Operation,and Considerate Service”,our business mainly focus on the distribution of electronic components. Line cards we deal with include Microchip,ALPS,ROHM,Xilinx,Pulse,ON,Everlight and Freescale. Main products comprise IC,Modules,Potentiometer,IC Socket,Relay,Connector.Our parts cover such applications as commercial,industrial, and automotives areas.

We are looking forward to setting up business relationship with you and hope to provide you with the best service and solution. Let us make a better world for our industry!



Contact us

Tel: +86-755-8981 8866 Fax: +86-755-8427 6832

Email & Skype: info@chipsmall.com Web: www.chipsmall.com

Address: A1208, Overseas Decoration Building, #122 Zhenhua RD., Futian, Shenzhen, China



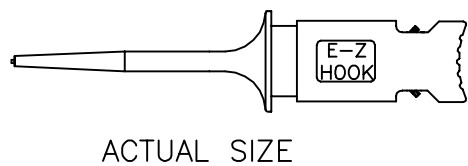
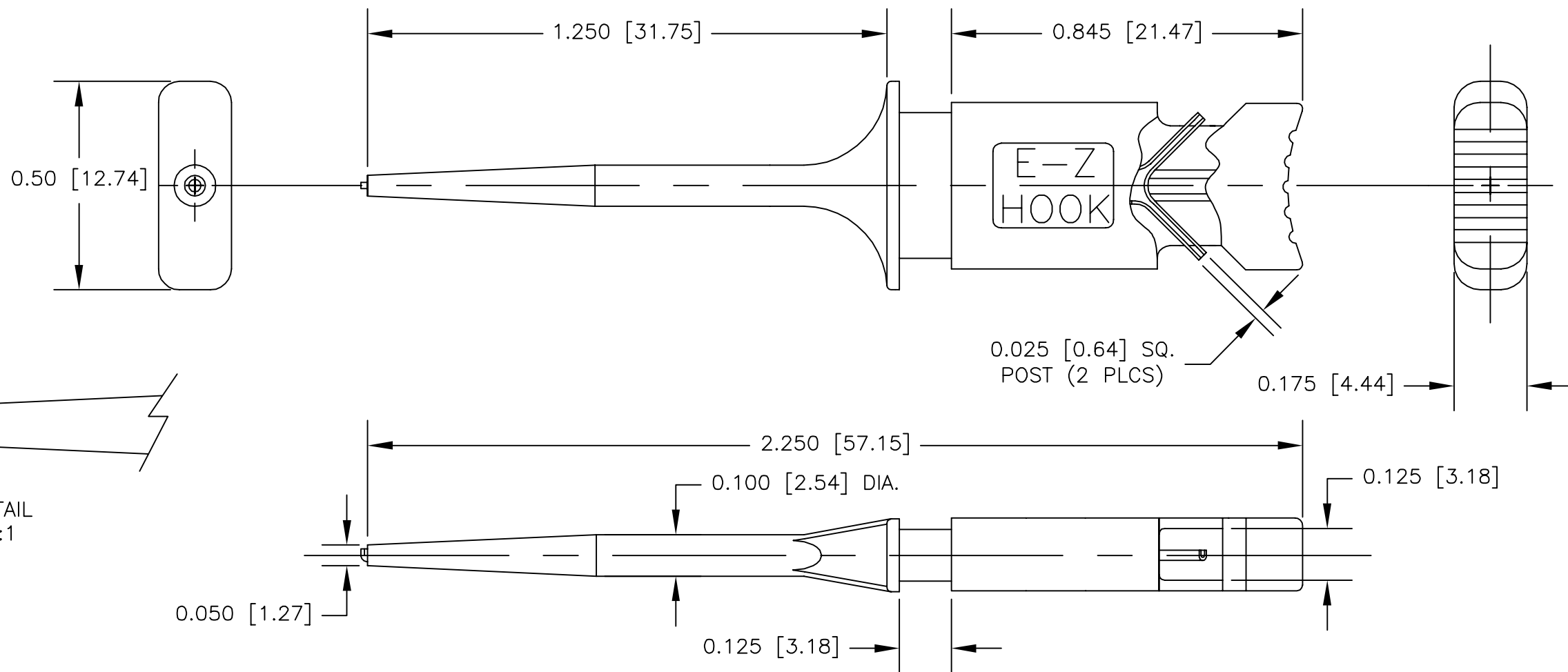
NOTES: UNLESS OTHERWISE SPECIFIED

LTR	DESCRIPTION	REVISIONS		DATE	APPROVED

- CONSTRUCTION:
 - HOUSING & PLUNGER: MOLDED NYLON DUPONT ZYTEL 101L 10/11% GLASS FILLED. AVAILABLE IN TEN COLORS.
 - CONTACT BLADE: STAINLESS STEEL, 304 FULL HARD. PASSIVATED PER MIL-S-5002 TYPE 1.
 - COMPRESSION SPRING: STAINLESS STEEL 302, .009" DIA. WIRE PASSIVATED.

- PERFORMANCE:
 - MAXIMUM CURRENT: XX
 - MAXIMUM VOLTAGE: XX
 - MAXIMUM TEMPERATURE: XX

- FEATURES:
 - HOOK FITS COMPONENTS UP TO $\phi 0.050$ " [1.27].
 - PINS EXIT PLUNGER ON EITHER SIDE.
 - PINS PERMIT CONNECTION TO 0.025" [0.64] SQ. OR $\phi 0.030$ " [0.76] SOCKETS.



		UNLESS OTHERWISE SPECIFIED DIMENSIONS ARE IN INCHES TOLERANCES ARE: FRACTIONS DECIMALS ANGLES ± .XX ± ± .XXX ±	CONTRACT NO.		E-Z-HOOK DIVISION OF TEKTEST INC. ARCADIA, CA 91006 U.S.A.	
			APPROVALS	DATE		
		MATERIAL SEE NOTE.	DRAWN R.L.	6/09	DESCRIPTION E-Z-MICRO HOOK GRIPPER TEST CONNECTOR	
		FINISH SEE NOTE.	APPROVED BY			
NEXT ASSY	USED ON				SIZE B	CODE IDENT NO. 08505
APPLICATION		DO NOT SCALE DRAWING			DRAWING NO. XKM	REV.
				SCALE 3:1	SHEET 1 OF 1	