



Chipsmall Limited consists of a professional team with an average of over 10 year of expertise in the distribution of electronic components. Based in Hongkong, we have already established firm and mutual-benefit business relationships with customers from,Europe,America and south Asia,supplying obsolete and hard-to-find components to meet their specific needs.

With the principle of “Quality Parts,Customers Priority,Honest Operation,and Considerate Service”,our business mainly focus on the distribution of electronic components. Line cards we deal with include Microchip,ALPS,ROHM,Xilinx,Pulse,ON,Everlight and Freescale. Main products comprise IC,Modules,Potentiometer,IC Socket,Relay,Connector.Our parts cover such applications as commercial,industrial, and automotives areas.

We are looking forward to setting up business relationship with you and hope to provide you with the best service and solution. Let us make a better world for our industry!



## Contact us

Tel: +86-755-8981 8866 Fax: +86-755-8427 6832

Email & Skype: info@chipsmall.com Web: www.chipsmall.com

Address: A1208, Overseas Decoration Building, #122 Zhenhua RD., Futian, Shenzhen, China



# SURFACE MOUNT CRYSTAL UNIT

SPECIFICATIONS	XL-1*
Frequency Range	8MHz to 100MHz
Frequency Tolerance	±50ppm (at 25°C)
Temperature Stability	±50ppm
Operating Temperature Range	-10°C to +60°C
Shunt Capacitance	7pF Maximum
Equivalent Series Resistance	See Table 1
Load Capacitance	See Table 1
Drive Level	0.1mW Typical
Shock Resistance (Note 1)	±5ppm Maximum
Vibration Resistance (Note 2)	±5ppm Maximum
Insulation Resistance	500M Ohm Minimum at DC100 ±15V
Storage Temperature Range	-55°C to +125°C

Note 1 - (Shock Test Standard): 3 times from 75cm height onto a hard wooden board.

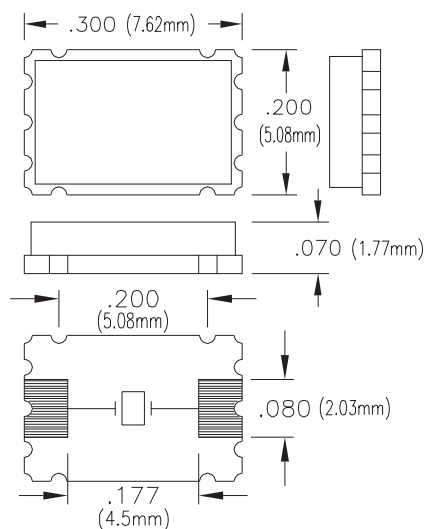
Note 2 - (Vibration Test Standard): 10 to 500Hz, Amplitude: 1.5mm or 10G, whichever is smaller.

TABLE 1

Frequency Range	Mode of Oscillation	E.S.R.	CL
8.000MHz to 9.999MHz	Fundamental	80 ohm Max	16pf
10.000MHz to 15.999MHz	Fundamental	60 ohm Max	16pf
16.000MHz to 50.000MHz	Fundamental	40 ohm Max	16pf
28.000MHz to 84.000MHz	3rd Overtone	60 ohm Max	Series
84.001MHz to 100.000MHz	5th Overtone	80 ohm Max	Series

## PACKAGE OUTLINE: \* - ADD SUFFIX FOR FOOTPRINT

XL-1A



XL-1C

