



Chipsmall Limited consists of a professional team with an average of over 10 year of expertise in the distribution of electronic components. Based in Hongkong, we have already established firm and mutual-benefit business relationships with customers from,Europe,America and south Asia,supplying obsolete and hard-to-find components to meet their specific needs.

With the principle of “Quality Parts,Customers Priority,Honest Operation,and Considerate Service”,our business mainly focus on the distribution of electronic components. Line cards we deal with include Microchip,ALPS,ROHM,Xilinx,Pulse,ON,Everlight and Freescale. Main products comprise IC,Modules,Potentiometer,IC Socket,Relay,Connector.Our parts cover such applications as commercial,industrial, and automotives areas.

We are looking forward to setting up business relationship with you and hope to provide you with the best service and solution. Let us make a better world for our industry!



## Contact us

Tel: +86-755-8981 8866 Fax: +86-755-8427 6832

Email & Skype: info@chipsmall.com Web: www.chipsmall.com

Address: A1208, Overseas Decoration Building, #122 Zhenhua RD., Futian, Shenzhen, China



NOTES: UNLESS OTHERWISE SPECIFIED

1. CONSTRUCTION:

HOUSING & PLUNGER: MOLDED NYLON TYPE 6,6.  
 AVAILABLE IN RED & YEL.  
 CONTACT BLADE: BERYLLIUM COPPER PER QQ-C-533. GOLD PLATER PER MIL-G-45204 TYPE 1, 0.00001 [0.000254] THICK MINIMUM.  
 SPRING: STAINLESS STEEL TYPE 302.

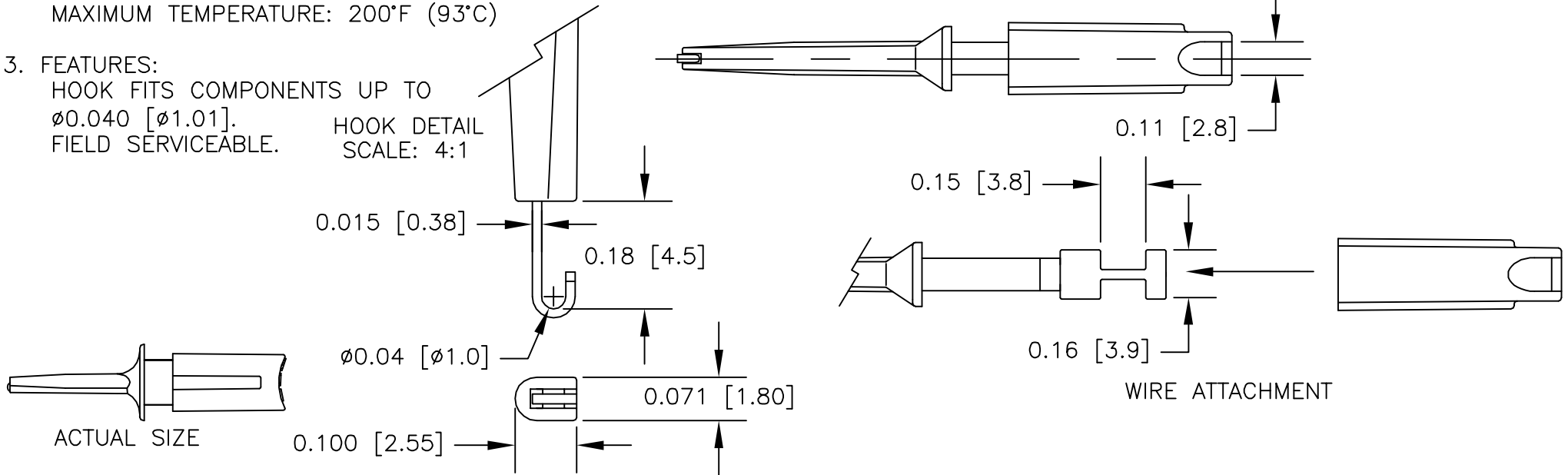
2. PERFORMANCE:

MAXIMUM CURRENT: 4.4 AMPS WITH 76° TEMPERATURE RISE.  
 MAXIMUM VOLTAGE: 2.4 KV  
 MAXIMUM TEMPERATURE: 200°F (93°C)

3. FEATURES:

HOOK FITS COMPONENTS UP TO  $\phi 0.040$  [ $\phi 1.01$ ].  
 FIELD SERVICEABLE.

HOOK DETAIL SCALE: 4:1



LTR		DESCRIPTION	REVISIONS	DATE	APPROVED

UNLESS OTHERWISE SPECIFIED  
 DIMENSIONS ARE IN INCHES  
 TOLERANCES ARE:  
 FRACTIONS DECIMALS ANGLES  
 ± .XX ± ±  
 .XXX ±

CONTRACT NO.	
APPROVALS	DATE
DRAWN R.L.	6/09
APPROVED BY	

**E-Z-HOOK** DIVISION OF TEKTEST INC.  
 ARCADIA, CA 91006 U.S.A.

DESCRIPTION  
 E-Z-MICRO HOOK TEST  
 CONNECTOR

SIZE	CODE IDENT NO.	DRAWING NO.	REV.
<b>A</b>	<b>08505</b>	XMRCOLOR	
SCALE	2:1		SHEET 1 OF 1

THE INFORMATION CONTAINED IN THIS DOCUMENT IS PROPRIETARY TO E-Z-HOOK. THE INFORMATION IS NOT TO BE REPRODUCED WITHOUT PRIOR WRITTEN PERMISSION OF E-Z-HOOK, DIV. OF TEKTEST INC. MAXIMUM TESTED RATINGS IN A HANDS-FREE CONTROLLED ENVIRONMENT. MAXIMUM RATINGS ARE NOT TO BE USED CONCURRENTLY.