



Chipsmall Limited consists of a professional team with an average of over 10 year of expertise in the distribution of electronic components. Based in Hongkong, we have already established firm and mutual-benefit business relationships with customers from,Europe,America and south Asia,supplying obsolete and hard-to-find components to meet their specific needs.

With the principle of “Quality Parts,Customers Priority,Honest Operation,and Considerate Service”,our business mainly focus on the distribution of electronic components. Line cards we deal with include Microchip,ALPS,ROHM,Xilinx,Pulse,ON,Everlight and Freescale. Main products comprise IC,Modules,Potentiometer,IC Socket,Relay,Connector.Our parts cover such applications as commercial,industrial, and automotives areas.

We are looking forward to setting up business relationship with you and hope to provide you with the best service and solution. Let us make a better world for our industry!



Contact us

Tel: +86-755-8981 8866 Fax: +86-755-8427 6832

Email & Skype: info@chipsmall.com Web: www.chipsmall.com

Address: A1208, Overseas Decoration Building, #122 Zhenhua RD., Futian, Shenzhen, China



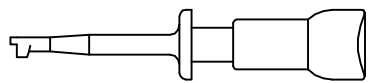
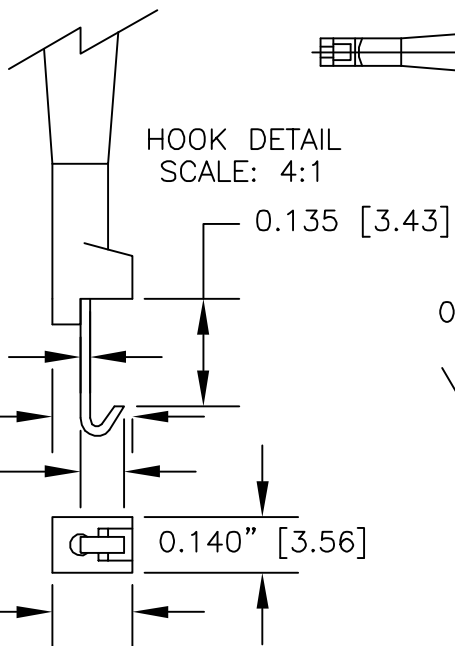
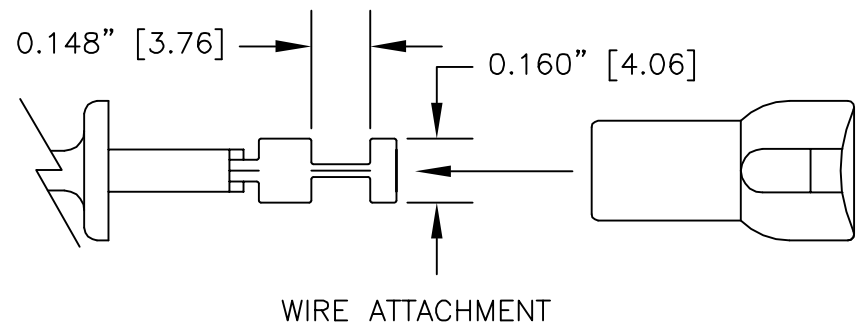
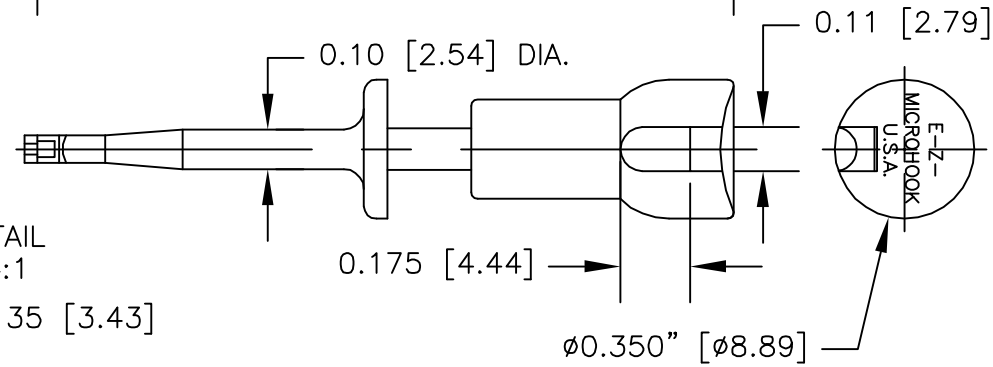
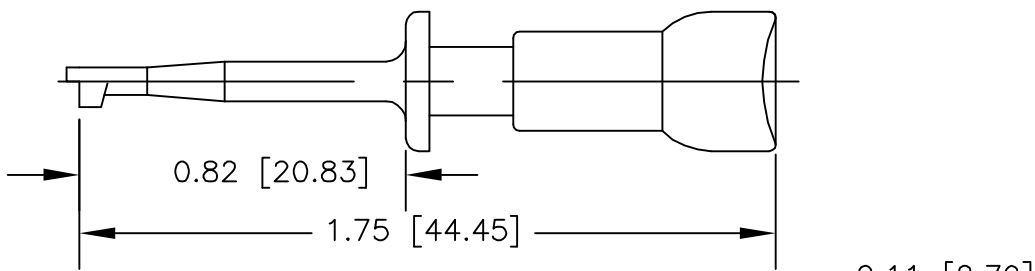
NOTES: UNLESS OTHERWISE SPECIFIED

- CONSTRUCTION:
 HOUSING & PLUNGER: MOLDED NYLON TYPE 6,6.
 AVAILABLE IN TEN COLORS.
 CONTACT BLADE: BERYLLIUM COPPER PER QQ-C-533. GOLD PLATED PER MIL-G-45204 B TYPE 1 0.0001" [0.00254] THICK MINIMUM.
 SPRING: STAINLESS STEEL TYPE 302.

- PERFORMANCE:
 MAXIMUM CURRENT: 4.4 AMPS WITH 76° TEMPERATURE RISE.
 MAXIMUM VOLTAGE: 2.4 KV
 MAXIMUM TEMPERATURE: 200°F (93°C)

- FEATURES:
 HOOK FITS COMPONENTS UP TO $\phi 0.045$ " [1.14].
 FIELD SERVICEABLE.

LTR		DESCRIPTION	REVISIONS	DATE	APPROVED
-----	--	-------------	-----------	------	----------



ACTUAL SIZE

0.200" [5.08]

WIRE ATTACHMENT



		UNLESS OTHERWISE SPECIFIED DIMENSIONS ARE IN INCHES TOLERANCES ARE: FRACTIONS DECIMALS ANGLES ± .XX ± ± .XXX ±	CONTRACT NO.		E-Z-HOOK DIVISION OF TEKTEST INC. ARCADIA, CA 91006 U.S.A.			
			APPROVALS	DATE				
		MATERIAL SEE NOTE.	DRAWN	R.L.	6/09	DESCRIPTION E-Z-MICRO HOOK TEST CONNECTOR		
			FINISH SEE NOTE.	APPROVED BY				
NEXT ASSY	USED ON				SIZE	CODE IDENT NO.	DRAWING NO.	REV.
					A	08505	XMCOLOR	
APPLICATION		DO NOT SCALE DRAWING			SCALE	2:1		SHEET 1 OF 1

THE INFORMATION CONTAINED IN THIS DOCUMENT IS PROPRIETARY TO E-Z-HOOK. THE INFORMATION IS NOT TO BE REPRODUCED WITHOUT PRIOR WRITTEN PERMISSION OF E-Z-HOOK, DIV. OF TEKTEST INC. MAXIMUM TESTED RATINGS IN A HANDS-FREE CONTROLLED ENVIRONMENT. MAXIMUM RATINGS ARE NOT TO BE USED CONCURRENTLY.