



Chipsmall Limited consists of a professional team with an average of over 10 year of expertise in the distribution of electronic components. Based in Hongkong, we have already established firm and mutual-benefit business relationships with customers from,Europe,America and south Asia,supplying obsolete and hard-to-find components to meet their specific needs.

With the principle of “Quality Parts,Customers Priority,Honest Operation,and Considerate Service”,our business mainly focus on the distribution of electronic components. Line cards we deal with include Microchip,ALPS,ROHM,Xilinx,Pulse,ON,Everlight and Freescale. Main products comprise IC,Modules,Potentiometer,IC Socket,Relay,Connector.Our parts cover such applications as commercial,industrial, and automotives areas.

We are looking forward to setting up business relationship with you and hope to provide you with the best service and solution. Let us make a better world for our industry!



Contact us

Tel: +86-755-8981 8866 Fax: +86-755-8427 6832

Email & Skype: info@chipsmall.com Web: www.chipsmall.com

Address: A1208, Overseas Decoration Building, #122 Zhenhua RD., Futian, Shenzhen, China



Product Specification

70 GHz Photodetector

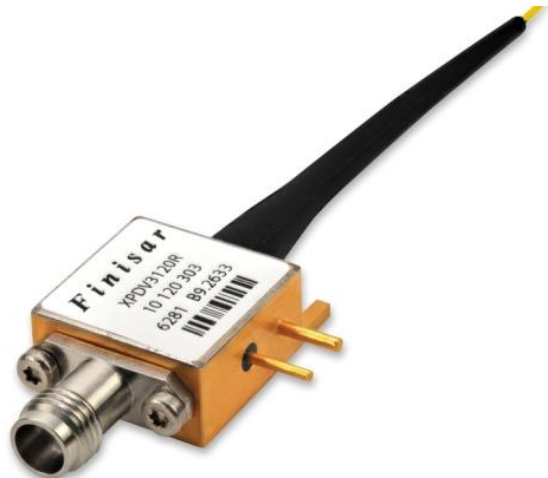
XPDV3120

PRODUCT FEATURES

- 70 GHz bandwidth with flat response
- Excellent pulse behavior
- Unsurpassed high-power handling capability
- High responsivity
- Unique on-chip integrated bias network
- Well matched to 50 Ω

APPLICATIONS

- Communication systems at 100 Gb/s (OC-768) and beyond
- Microwave photonics up to 60 GHz
- High speed lightwave characterization
- Test & Measurement equipment



The XPDV3120R comprises an optimized 75 GHz waveguide-integrated photodiode, which shows an extremely flat frequency response, both in power and in phase. Finisar's on-chip integrated bias network with an optimized RF-design in particular ensures an undisturbed frequency response from DC to the 3 dB cut-off frequency and saves costs for external bias-tees. The module is especially designed for optimal RF-performance; therefore, the pulse response reveals virtually no ringing. It is best suited for Test & Measurement or Microwave photonics applications up to 60 GHz.

A further advantage of the waveguide structure is the unbeatable high power behavior. The photodetector shows a linear response up to an optical input power of 13 dBm. An output voltage swing of more than 0.5 V_{pp} can be achieved for short pulses, without any degradation of the pulse response.

ORDERING INFORMATION

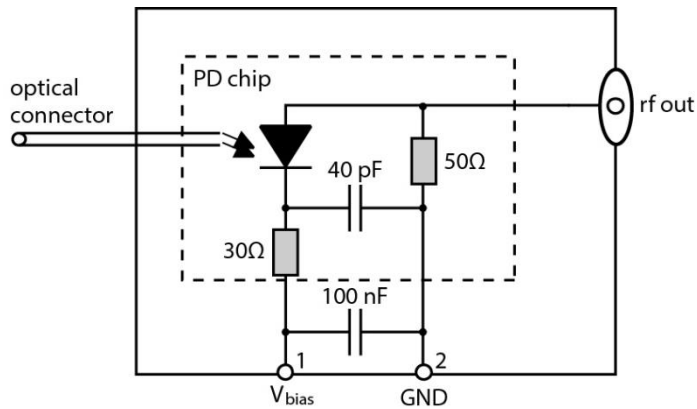
XPDV3120R-Vy-zz

R:		internal 50 Ω termination, DC-coupled version
Vy:	VF	= female V Connector® (standard)
	VM	= male V connector® male
zz:	FP	= FC/PC (standard)
		other connectors available upon request

I. Pin Description

# Pin	Symbol	Description
1	V_{bias}	PD bias supply, typical 2.8 V
2	GND	case ground

II. Block Diagram



III. Absolute Maximum Ratings

Parameter	Symbol	Condition	Min.	Typ.	Max.	Unit
Photodiode Bias Voltage	V_{PD}		0		3.5	V
Maximum Average Optical Input Power	P_{opt}	non-return-to-zero (NRZ)			16	dBm
Maximum Output Peak Voltage	V_{peak}				1.5	V
Electro Static Discharge	V_{ESD}	C= 100 pF, R= 1.5 kΩ HBM	-250		250	V
Fiber Bend Radius			16			mm



Notice

Stresses greater than those listed under "Absolute Maximum Ratings" may cause permanent damage to the device. This is a stress rating only and functional operation of the device at these or any other conditions above those indicated in the operations section for extended periods of time may affect reliability.

The inherent design of this component causes it to be sensitive to electrostatic discharge (ESD). To prevent ESD-induced damage and/or degradation to equipment, take normal ESD precautions when handling this product.

IV. Environmental Conditions

Parameter	Symbol	Condition	Min.	Typ.	Max.	Unit
Operating Case Temperature	T_{Case}		0		70	°C
Relative Humidity	RH	non condensing	5		85	%
Storage Temperature	T_{sto}		-40		85	°C

V. Operating Conditions

Parameter	Symbol	Condition	Min.	Typ.	Max.	Unit
Operating Wavelength Range	λ		1480		1620	nm
Average Optical Input Power Range	P_{OPT}		-20		10	dBm
Photodiode Bias Voltage	V_{PD}		2.0	2.8	3.3	V

VI. Electro-Optical Specifications¹

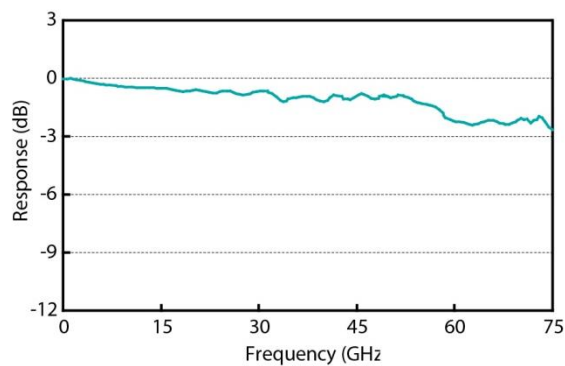
Parameter	Symbol	Condition	Min.	Typ.	Max.	Unit
Photodiode DC Responsivity @1550 nm	R	optimum polarization	0.5	0.6		A/W
Polarization Dependent Loss	PDL			0.3	0.5	dB
Optical Return Loss	ORL		27			dB
3dB Cut-off Frequency	f_{3dB}	²	68	75		GHz
Output Reflection Coefficient	S_{22}	0.05 - 50 GHz		-10	-8	dB
Photodiode Dark Current	I_{dark}	$T_{case} = 25\text{ °C}$		5	200	nA
Pulse Width		³		7.5	8.5	ps

Notes:

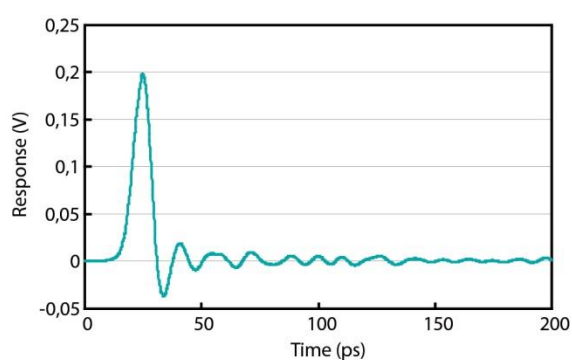
- $\lambda = 1550\text{ nm}$, $V_{bias} = 2.8\text{ V}$, $T_{case} = 25\text{ °C}$
- measured using Agilent 86030A 50 GHz Lightwave component analyzer and heterodyne measurement system
- Measured using Tektronix oscilloscope with 70 GHz sampling head

VII. Typical Performance Curves

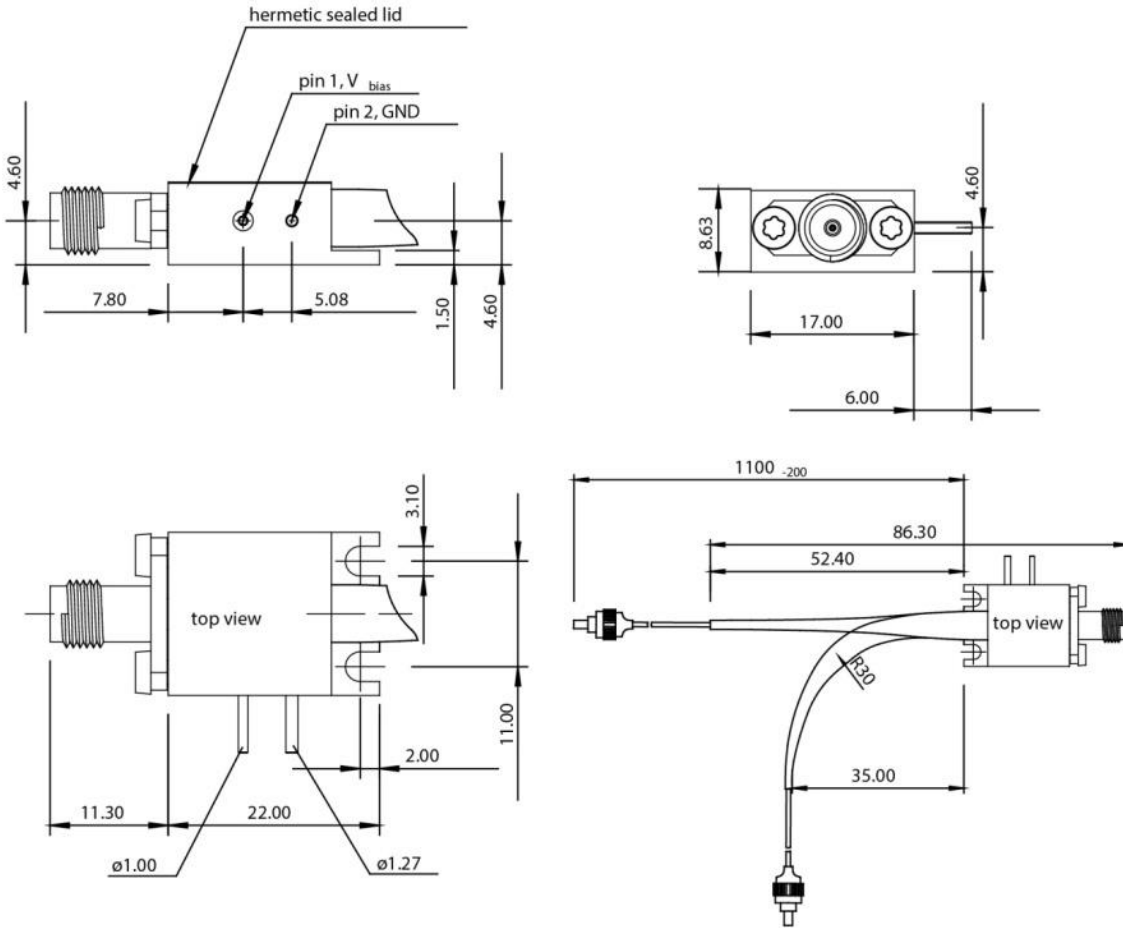
Frequency Response



Pulse Response



VIII. Mechanical Specifications



IX. Accessories

For optimum performance, in particular at high optical input levels, we recommend the use of our separately available photodetector power supply - PPS-03.

PPS-03-X

X: specifies matching photodetector type = XPDV series
 Consists of 1x PPS and 1x cable X-type,
 All PPS versions include two 1.5 V batteries and a BNC-to-female connector plug cable.



X. Revision History

Revision	Date	Description
A1	04/09/2014	<ul style="list-style-type: none">• Document created.

Notes

- Any trademarks used in this document are properties of their respective owners.
- Finisar Corporation reserves the right to make changes without notice.

For More Information

Finisar Corporation
1389 Moffett Park Drive
Sunnyvale, CA 94089-1133
Tel. 1-408-548-1000
Fax 1-408-541-6138
sales@finisar.com
www.finisar.com