



Chipsmall Limited consists of a professional team with an average of over 10 year of expertise in the distribution of electronic components. Based in Hongkong, we have already established firm and mutual-benefit business relationships with customers from,Europe,America and south Asia,supplying obsolete and hard-to-find components to meet their specific needs.

With the principle of “Quality Parts,Customers Priority,Honest Operation,and Considerate Service”,our business mainly focus on the distribution of electronic components. Line cards we deal with include Microchip,ALPS,ROHM,Xilinx,Pulse,ON,Everlight and Freescale. Main products comprise IC,Modules,Potentiometer,IC Socket,Relay,Connector.Our parts cover such applications as commercial,industrial, and automotives areas.

We are looking forward to setting up business relationship with you and hope to provide you with the best service and solution. Let us make a better world for our industry!



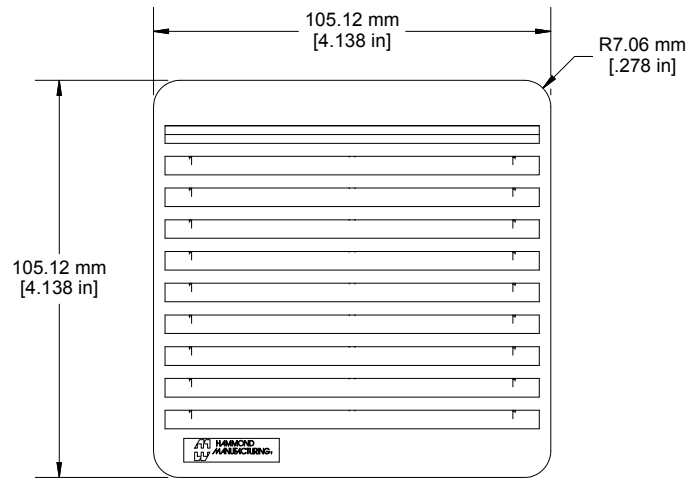
Contact us

Tel: +86-755-8981 8866 Fax: +86-755-8427 6832

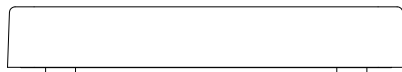
Email & Skype: info@chipsmall.com Web: www.chipsmall.com

Address: A1208, Overseas Decoration Building, #122 Zhenhua RD., Futian, Shenzhen, China

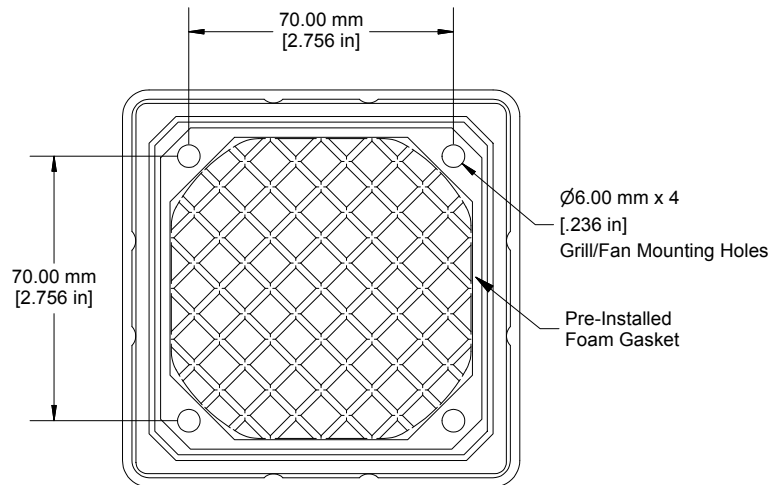




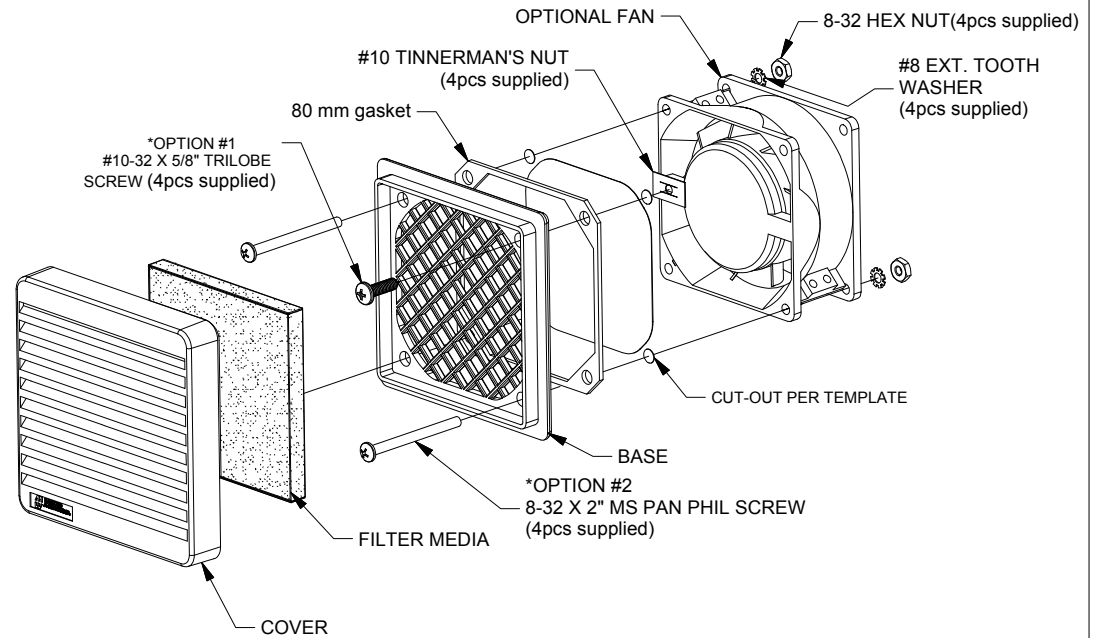
Front View of Assembly



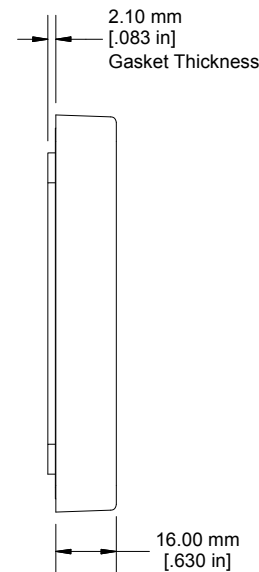
Bottom View of Assembly



Rear View of Assembly



Side View of Assembly



NOTE	
Purchased assembly includes snap-together Cover and Base (FRABS UL94-V0), foam EVA gasket, stainless steel mounting hardware, filter media and installation template.	
PART NUMBERS	
XPFA80 Filter Fan Grill	
Black	XPFA80BK
Beige - RAL7032	XPFA80CG
Gray - ANSI 61	XPFA80GY
Light Gray - RAL7035	XPFA80LG
Accessories	
Standard Filter Media (Pkg of 5)	PFF1000
Pleated Filter Media (Pkg of 5)	PLFF1000

* HARDWARE OPTIONS:
 - #10-32 X 5/8" TRILOBE SCREW WILL SELF-TAP INTO HOLES ON OPTIONAL FAN, OR CAN BE USED WITH #10 TINNEMANS NUT WITH GRILL ONLY.
 - 8-32 X 2" SCREW TO BE USED WITH OPTIONAL FAN.

**HAMMOND
MANUFACTURING™**

XPFA80

www.hammondmfg.com