



Chipsmall Limited consists of a professional team with an average of over 10 year of expertise in the distribution of electronic components. Based in Hongkong, we have already established firm and mutual-benefit business relationships with customers from,Europe,America and south Asia,supplying obsolete and hard-to-find components to meet their specific needs.

With the principle of “Quality Parts,Customers Priority,Honest Operation,and Considerate Service”,our business mainly focus on the distribution of electronic components. Line cards we deal with include Microchip,ALPS,ROHM,Xilinx,Pulse,ON,Everlight and Freescale. Main products comprise IC,Modules,Potentiometer,IC Socket,Relay,Connector.Our parts cover such applications as commercial,industrial, and automotives areas.

We are looking forward to setting up business relationship with you and hope to provide you with the best service and solution. Let us make a better world for our industry!



## Contact us

Tel: +86-755-8981 8866 Fax: +86-755-8427 6832

Email & Skype: info@chipsmall.com Web: www.chipsmall.com

Address: A1208, Overseas Decoration Building, #122 Zhenhua RD., Futian, Shenzhen, China





# XR46050 Product Brief

## Two-Step LED Current Controller

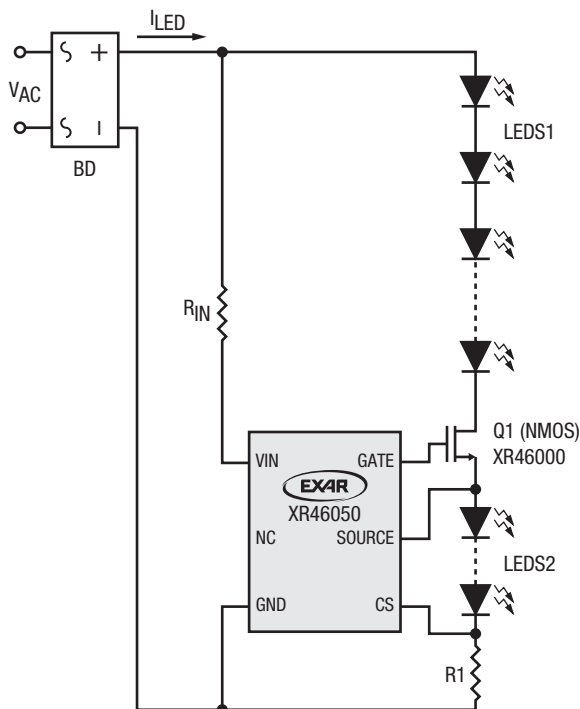
### Description

The [XR46050](#) is a two-step LED current controller for bulb application powered by an alternative current (AC) voltage source directly. It can drive an external N-channel power MOSFET to regulate the current flowing through a High Voltage (HV) LED string.

The XR46050 works as a constant current regulator to control two-step current levels for AC step driver with simplest structure. It also provides linear type Over Temperature Protection (OTP).

The PCB design can be very compact to meet various shape requirements. It is especially suitable for replacing A-series LED light bulbs and candelabra LED bulbs.

### Typical Application



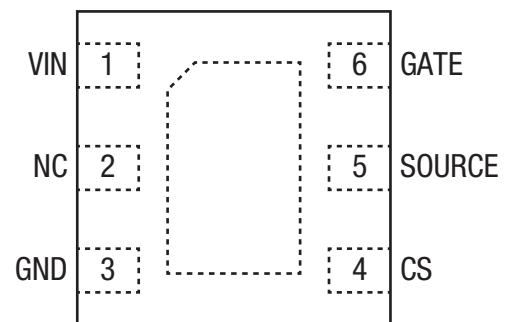
### FEATURES

- Device
  - 6V to 76V chip supply voltage range
  - Over temperature protection
  - Single board LED lighting solution available
  - 2mm x 2mm TDFN-6 package
- System
  - All solid state components
  - No electrolytic capacitor required
  - Fewer component counts and simple solution for LED lighting
  - Scalable architecture allows optimization of performance vs. cost
  - Driver-on-board and chip-on-board design solution available which minimize process flow and assembly cost
  - High PF and Low THD performance
  - Flexible PCB layout options

### APPLICATIONS

- A series LED bulbs
- Candelabra LED bulbs
- AC LED lighting engines

### Pin Configuration



2mm x 2mm TDFN-6

## Ordering Information<sup>(1)</sup>

Part Number	Operating Temperature Range	Lead-Free	Package	Packaging Method
XR46050IHBTR	-40°C to 85°C	Yes <sup>(2)</sup>	TDFN6 2x2	Tape and reel

**NOTE:**

1. Refer to [www.exar.com/XR46050](http://www.exar.com/XR46050) for most up-to-date Ordering Information.
2. Visit [www.exar.com](http://www.exar.com) for additional information on Environmental Rating.

Please contact [LEDtechsupport@exar.com](mailto:LEDtechsupport@exar.com) to request a complete datasheet.



[www.exar.com](http://www.exar.com)

48760 Kato Road  
Fremont, CA 94538  
USA

Tel.: +1 (510) 668-7000  
Fax: +1 (510) 668-7001  
Email: [LEDtechsupport@exar.com](mailto:LEDtechsupport@exar.com)

Exar Corporation reserves the right to make changes to the products contained in this publication in order to improve design, performance or reliability. Exar Corporation conveys no license under any patent or other right and makes no representation that the circuits are free of patent infringement. While the information in this publication has been carefully checked, no responsibility, however, is assumed for inaccuracies.

Exar Corporation does not recommend the use of any of its products in life support applications where the failure or malfunction of the product can reasonably be expected to cause failure of the life support system or to significantly affect its safety or effectiveness. Products are not authorized for use in such applications unless Exar Corporation receives, in writing, assurances to its satisfaction that: (a) the risk of injury or damage has been minimized; (b) the user assumes all such risks; (c) potential liability of Exar Corporation is adequately protected under the circumstances.

Reproduction, in part or whole, without the prior written consent of Exar Corporation is prohibited. Exar, XR and the XR logo are registered trademarks of Exar Corporation. All other trademarks are the property of their respective owners.