



Chipsmall Limited consists of a professional team with an average of over 10 year of expertise in the distribution of electronic components. Based in Hongkong, we have already established firm and mutual-benefit business relationships with customers from,Europe,America and south Asia,supplying obsolete and hard-to-find components to meet their specific needs.

With the principle of “Quality Parts,Customers Priority,Honest Operation,and Considerate Service”,our business mainly focus on the distribution of electronic components. Line cards we deal with include Microchip,ALPS,ROHM,Xilinx,Pulse,ON,Everlight and Freescale. Main products comprise IC,Modules,Potentiometer,IC Socket,Relay,Connector.Our parts cover such applications as commercial,industrial, and automotives areas.

We are looking forward to setting up business relationship with you and hope to provide you with the best service and solution. Let us make a better world for our industry!



Contact us

Tel: +86-755-8981 8866 Fax: +86-755-8427 6832

Email & Skype: info@chipsmall.com Web: www.chipsmall.com

Address: A1208, Overseas Decoration Building, #122 Zhenhua RD., Futian, Shenzhen, China





XR46051 Product Brief

Two-Step LED Current Controller

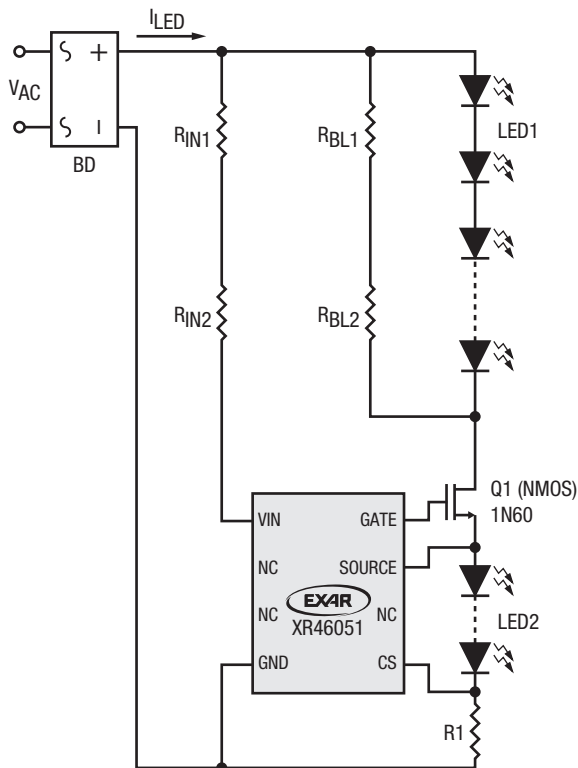
Description

The XR46051 is a two-step LED current controller for bulb application powered by an alternative current (AC) voltage source directly. It can drive an external N-channel power MOSFET to regulate the current flowing through a High Voltage (HV) LED string.

The XR46051 works as a constant current regulator to control two-step current levels for AC step driver with simplest structure. It also provides linear type Over Temperature Protection (OTP).

The PCB design can be very compact to meet various shape requirements. It is especially suitable for replacing A-series LED light bulbs and candelabra LED bulbs.

Typical Application



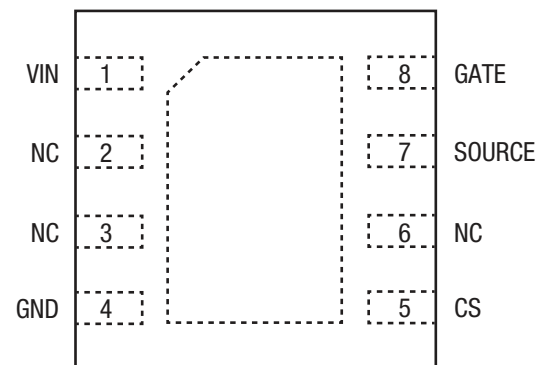
FEATURES

- Device
 - 6V to 78V chip supply voltage range
 - Over temperature protection
 - Single board LED lighting solution available
 - 3mm x 3mm TDFN-8 package
- System
 - All solid state components
 - No electrolytic capacitor required
 - Fewer component counts and simple solution for LED lighting
 - Scalable architecture allows optimization of performance vs. cost
 - Driver-on-board and chip-on-board design solution available which minimize process flow and assembly cost
 - High PF and Low THD performance
 - Flexible PCB layout options

APPLICATIONS

- LED Lighting Applications
 - Downlight
 - High bay
 - Specialty
 - Architectural

Pin Configuration



3mm x 3mm TDFN-8L

Ordering Information⁽¹⁾

Part Number	Operating Temperature Range	Lead-Free	Package	Packaging Method
XR46051IHBTR	-40°C to 85°C	Yes ⁽²⁾	TDFN8 3 x 3	Tape and reel

NOTE:

1. Refer to www.exar.com/XR46051 for most up-to-date Ordering Information.
2. Visit www.exar.com for additional information on Environmental Rating.

Please contact LEDtechsupport@exar.com to request a complete datasheet.



www.exar.com

48720 Kato Road
Fremont, CA 94538
USA

Tel.: +1 (510) 668-7000
Fax: +1 (510) 668-7001
Email: LEDtechsupport@exar.com

Exar Corporation reserves the right to make changes to the products contained in this publication in order to improve design, performance or reliability. Exar Corporation conveys no license under any patent or other right and makes no representation that the circuits are free of patent infringement. While the information in this publication has been carefully checked, no responsibility, however, is assumed for inaccuracies.

Exar Corporation does not recommend the use of any of its products in life support applications where the failure or malfunction of the product can reasonably be expected to cause failure of the life support system or to significantly affect its safety or effectiveness. Products are not authorized for use in such applications unless Exar Corporation receives, in writing, assurances to its satisfaction that: (a) the risk of injury or damage has been minimized; (b) the user assumes all such risks; (c) potential liability of Exar Corporation is adequately protected under the circumstances.

Reproduction, in part or whole, without the prior written consent of Exar Corporation is prohibited. Exar, XR and the XR logo are registered trademarks of Exar Corporation. All other trademarks are the property of their respective owners.