



Chipsmall Limited consists of a professional team with an average of over 10 year of expertise in the distribution of electronic components. Based in Hongkong, we have already established firm and mutual-benefit business relationships with customers from,Europe,America and south Asia,supplying obsolete and hard-to-find components to meet their specific needs.

With the principle of "Quality Parts,Customers Priority,Honest Operation,and Considerate Service",our business mainly focus on the distribution of electronic components. Line cards we deal with include Microchip,ALPS,ROHM,Xilinx,Pulse,ON,Everlight and Freescale. Main products comprise IC,Modules,Potentiometer,IC Socket,Relay,Connector.Our parts cover such applications as commercial,industrial, and automotives areas.

We are looking forward to setting up business relationship with you and hope to provide you with the best service and solution. Let us make a better world for our industry!



Contact us

Tel: +86-755-8981 8866 Fax: +86-755-8427 6832

Email & Skype: info@chipsmall.com Web: www.chipsmall.com

Address: A1208, Overseas Decoration Building, #122 Zhenhua RD., Futian, Shenzhen, China





A New Direction in Mixed-Signal

October 2012

XRP2524

1A Dual Channel USB 3.0 Power Distribution Switch

Rev. 1.0.0

GENERAL DESCRIPTION

The Exar XRP2524 Evaluation board (EVB) is a fully assembled and tested surface-mount PCB that demonstrates the XRP2524 dual-channel integrated high-side power distribution switches.

Optimized for USB V_{BUS} power distribution, the XRP2524 is compliant with the latest USB 3.0 specification and can be used in any self or bus powered USB applications. It is provided with an enable pin while an error flag is available to indicate fault conditions.

XRP2524 is offered in a RoHS compliant "green"/halogen free 8-pin NSOIC package.

STANDARD CONFIGURATION

The XRP2524EVB is configured to operate under the following conditions:

- Input voltage range V_{IN} : 2.7V – 6.5V
- Output current/load range: 0 – 1.0A

EVALUATION BOARD MANUAL



FEATURES

- **Dual Channel Current Switch**
 - 1A continuous load current per channel
 - 1.5A Typical Over-current Limit
 - 2.7V to 6.5V Input Voltage Range
- **USB 2.0/3.0 Compliant**
- **Active High Enable**
- **Channel Error Flag Indicator**
- **Reverse Current, Short Circuit & Thermal Shutdown Protection**

EVALUATION BOARD SCHEMATICS

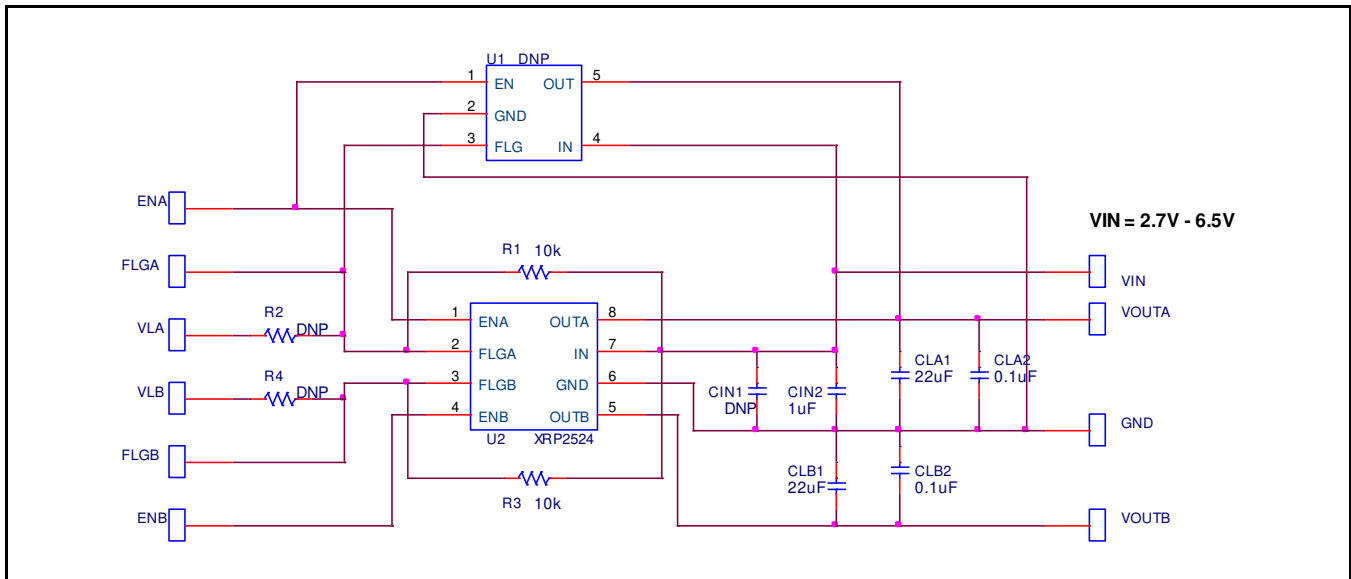


Fig. 1: XRP2524 Evaluation Board Schematic

PIN ASSIGNMENT

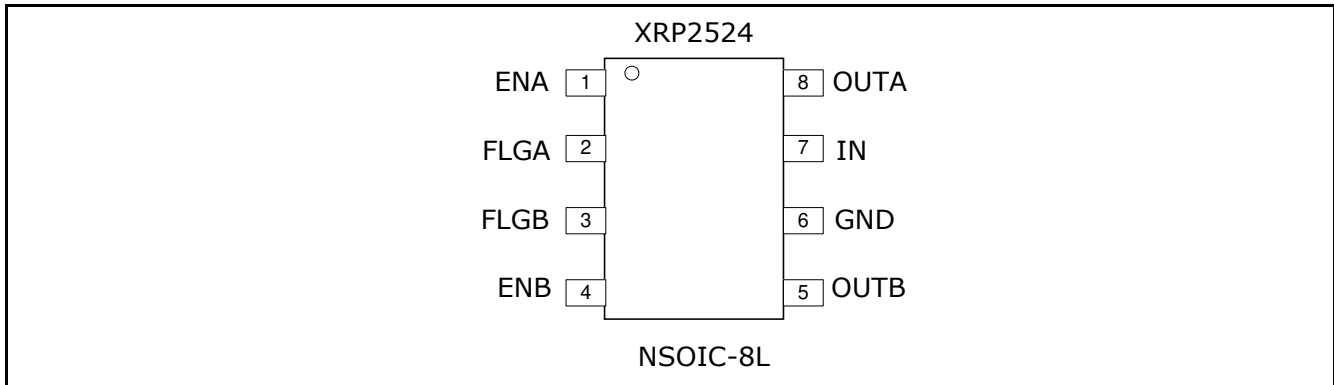


Fig. 2: XRP2524 Pin Assignment

PIN DESCRIPTION – XRP2524

Name	Pin Number	Description
EN _x	1,4	Channel Enable Input Active High
FLG _x	2,3	Error Flag Signal Active low open drain output. Active on over-current, over-temperature or short-circuit conditions.
GND	6	Ground Signal
IN	7	Voltage Input Pin
OUT _x	5,8	Voltage Output Pin

ORDERING INFORMATION

Refer to XRP2524’s datasheet and/or www.exar.com for exact and up to date ordering information.

1A Dual Channel USB 3.0 Power Distribution Switch

USING THE EVALUATION BOARD

INITIAL SETUP

The Board is supplied from EXAR with the XRP2524 device. Set the input supply to a voltage between 2.7V to 6.5V and connect it to VIN and GND connectors on the right side of the evaluation board.

Enable pin must be pulled up HIGH to enable the IC. Connect the load to the VOUT and PGND connectors on the right hand side of the board.

Flag pin is pulled up to VIN through a 10kΩ resistor (provided by default on the board) or can be instead connected to a separate external power supply voltage VLA/VLB.

The board will power-up upon turning on the input supply and reach the desired output voltage. The board can operate with a load current I_{OUT} of up to 1A per channel.

TYPICAL PERFORMANCE CHARACTERISTICS

All data taken at V_{IN} = 5V, C_{IN} = 1μF, C_{OUT} = 22μF//0.1μF, T_J = T_A = 25°C, unless otherwise specified - Schematic and BOM from Application Information section of this datasheet.

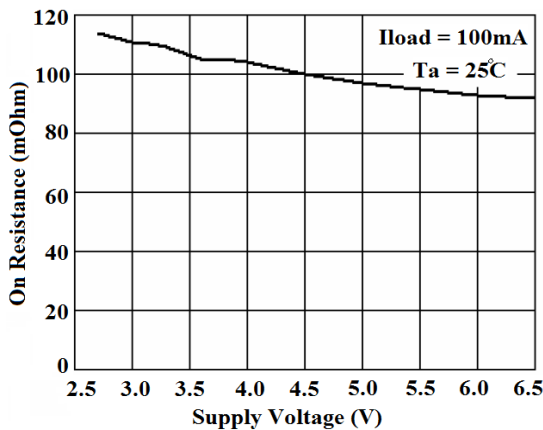


Fig. 3: Output On-Resistance vs. Supply Voltage

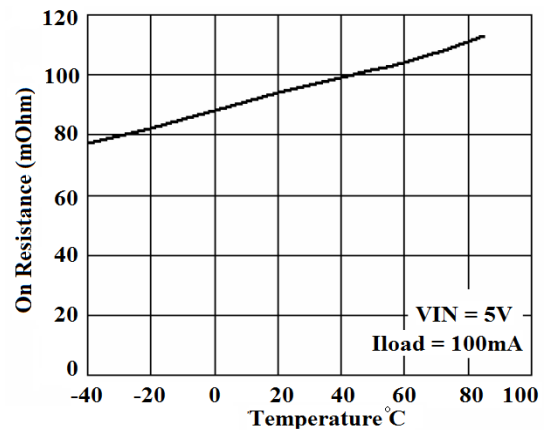


Fig. 4: Output On-Resistance vs. Temperature

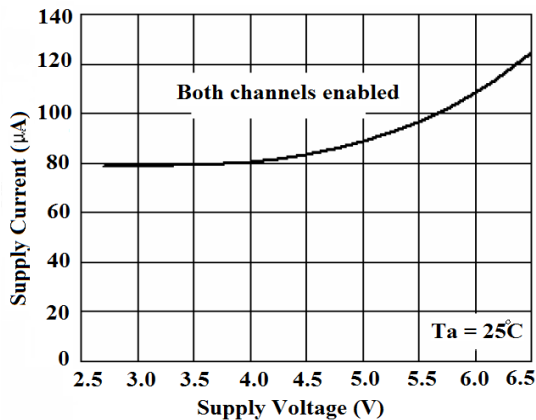


Fig. 5: ON-State Supply Current vs. Supply Voltage

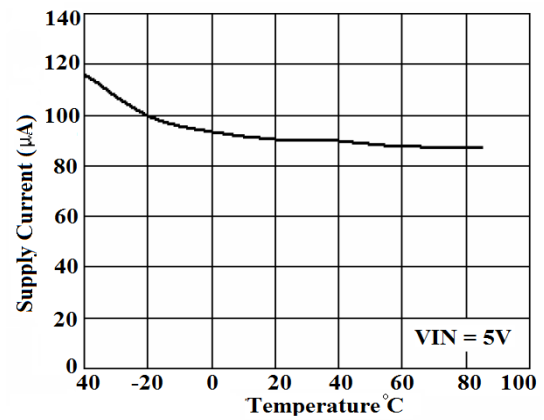


Fig. 6: ON-State Supply Current vs. Temperature

1A Dual Channel USB 3.0 Power Distribution Switch

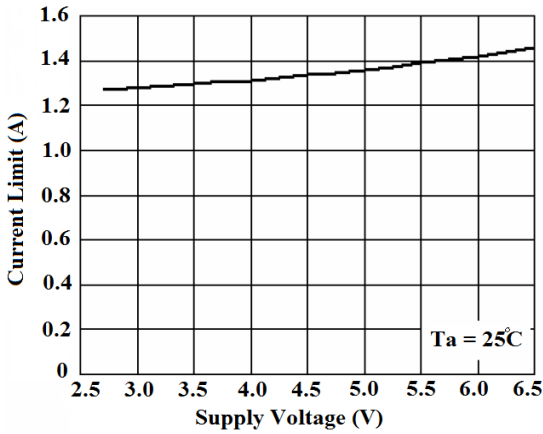


Fig. 7: Current Limit Threshold vs. Supply Voltage

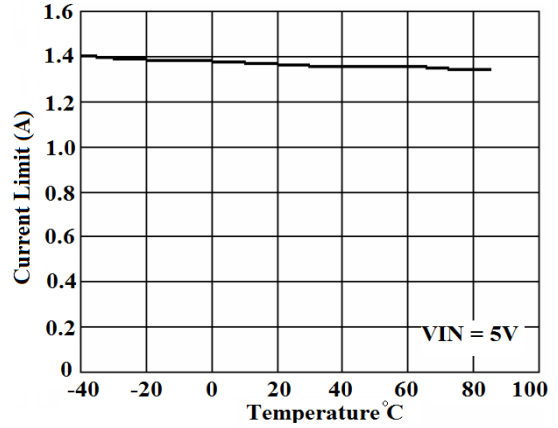


Fig. 8: Current Limit Threshold vs. Temperature

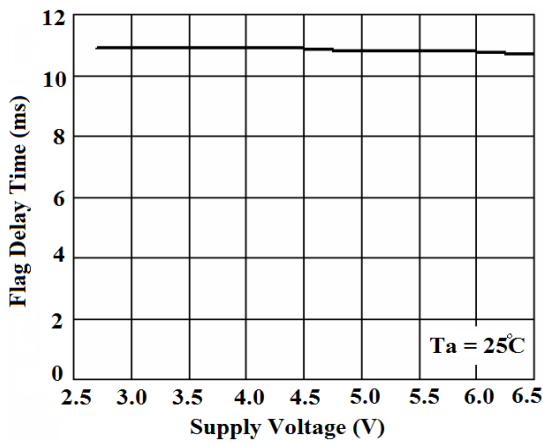


Fig. 9: Flag Delay Time vs. Supply Voltage

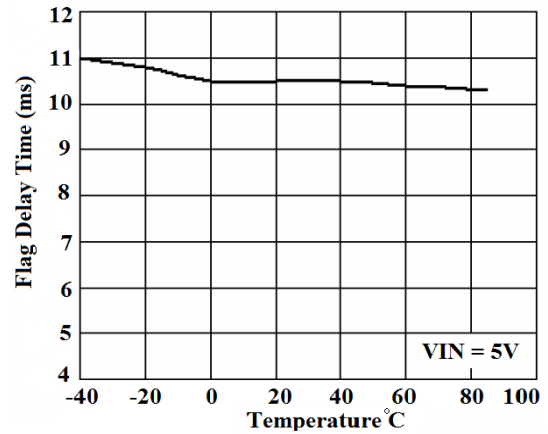


Fig. 10: Flag Delay Time vs. Temperature

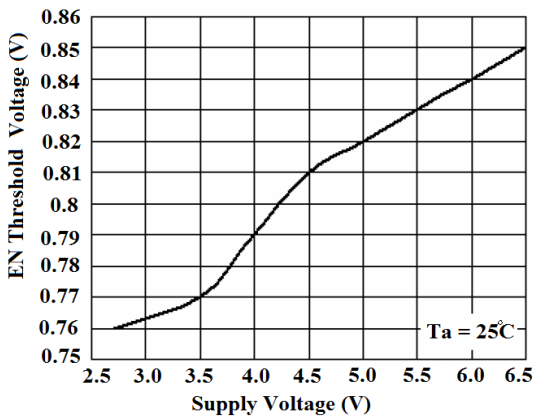


Fig. 11: Enable Threshold vs. Supply Voltage

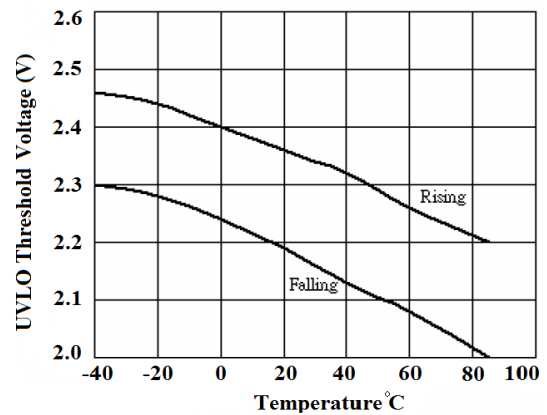


Fig. 12: UVLO Threshold Voltage vs. Temperature

1A Dual Channel USB 3.0 Power Distribution Switch

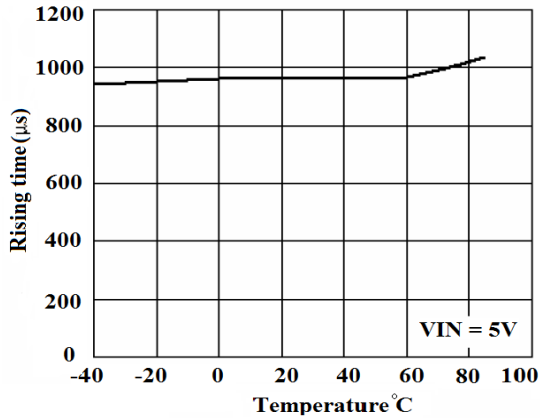
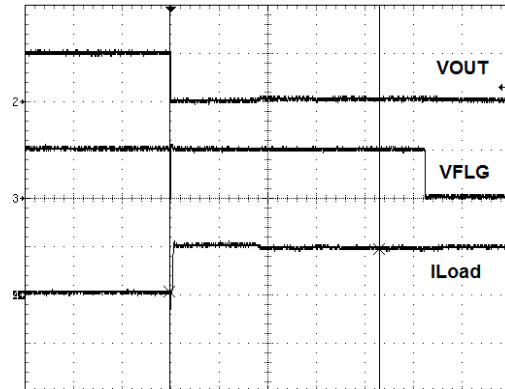
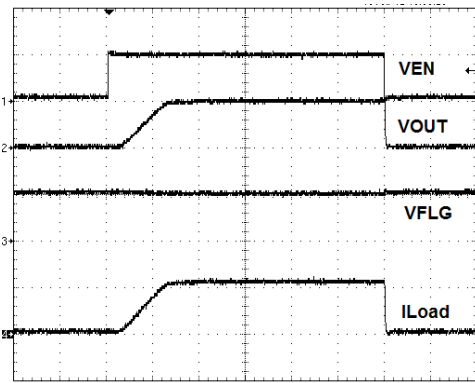


Fig. 13: Output Rising Time vs. Temperature

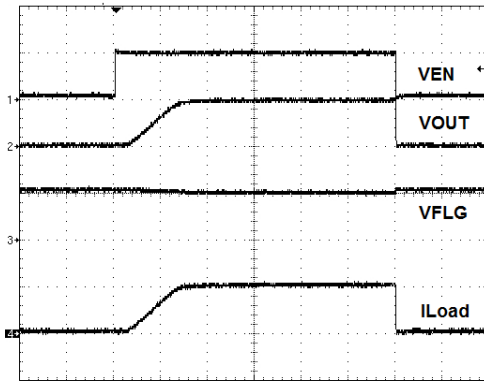


CH2 5.0V/div CH3 5.0V/div CH4 1.0A/div 2ms/div

Fig. 14: Short circuit protection, VIN = 5.0V

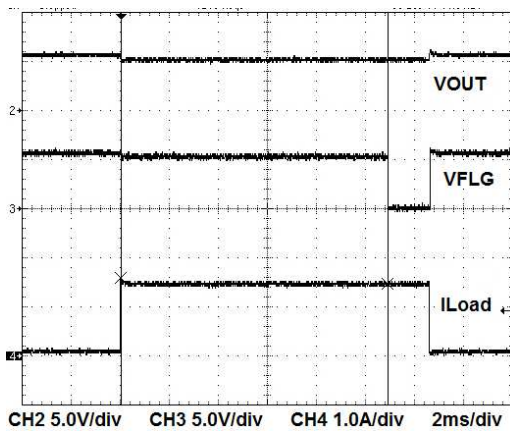


CH1 5.0V/div CH2 5.0V/div CH3 5.0V/div CH4 0.5A/div 1ms/div



CH1 5.0V/div CH2 5.0V/div CH3 5.0V/div CH4 1A/div 1ms/div

Fig. 15: Turn-On/Off Characteristics: COUT=1µF, Rload=10Ω Fig. 16: Turn-On/Off Characteristics: COUT=1µF, Rload=5.1Ω



CH2 5.0V/div CH3 5.0V/div CH4 1.0A/div 2ms/div

Fig. 17: Current Limit Operation: VIN = 5.5V, Rload = 3.3Ω

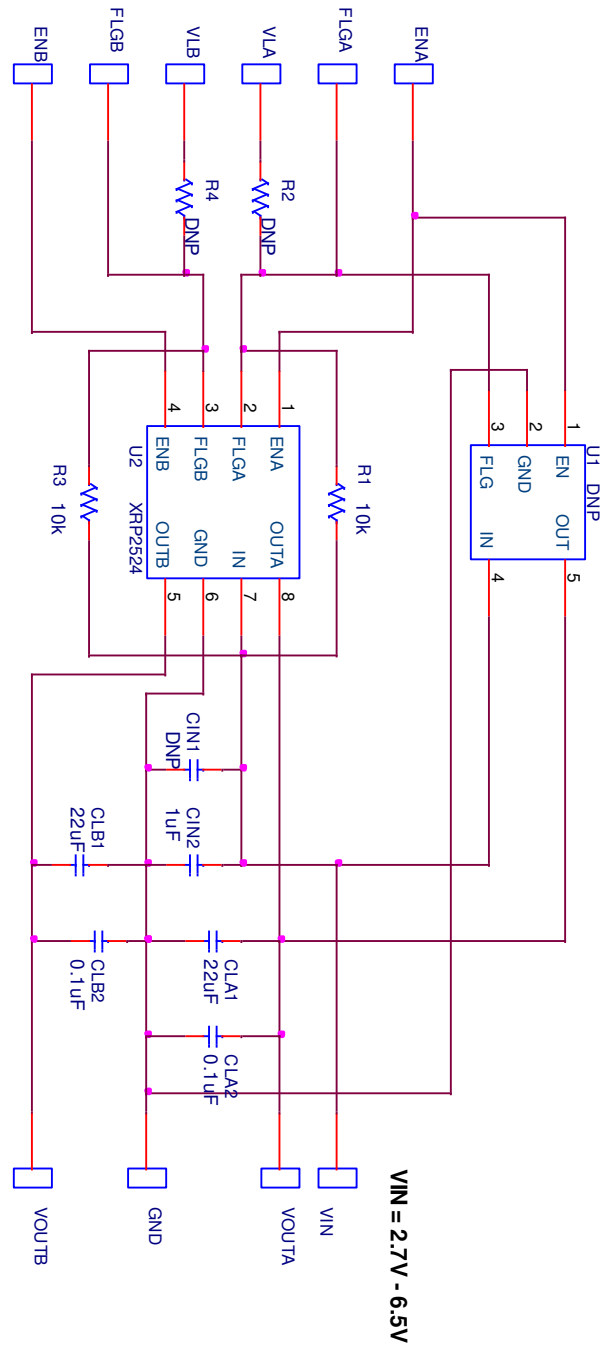


A New Direction in Mixed-Signal

XRP2524

1A Dual Channel USB 3.0 Power Distribution Switch

EVALUATION BOARD SCHEMATICS



BILL OF MATERIAL

Ref.	Qty	Manufacturer	Part Number	Size	Component
EVAL BD	1	Exar Corp.	146-6693-01		XRP2524 Evaluation Board
U2	1	Exar Corp.	XRP2524	8-pin NSOIC	XRP2524
CIN2	1	Murata Corp.	GRM188R71E105KA12D	0603	Ceramic 1uF, 25V, X7R
CLA1, CLB1	2	Murata Corp.	GRM31CR61C226KE15L	1206	Ceramic 22uF, 16V, X5R
CLA2, CLB2	2	Murata Corp.	GRM188R71H104KA93D	0603	Ceramic 0.1uF, 50V, X7R
R1, R3	3	Panasonic Corp.	ERJ-3EKF1002V	0603	Resistor 10KΩ, 1/10W, 1%
Test Point VIN, GND, PGND, VOUTA, VOUTB, ENA, ENB, FLGA, FLGB, VLA, VLB	12	VECTOR	K24C/M	0.042" diameter	Test Point Post

EVALUATION BOARD LAYOUT

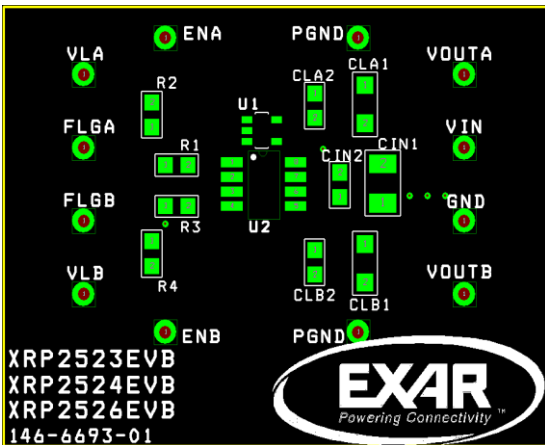


Fig. 18: Component Placement – Top Side

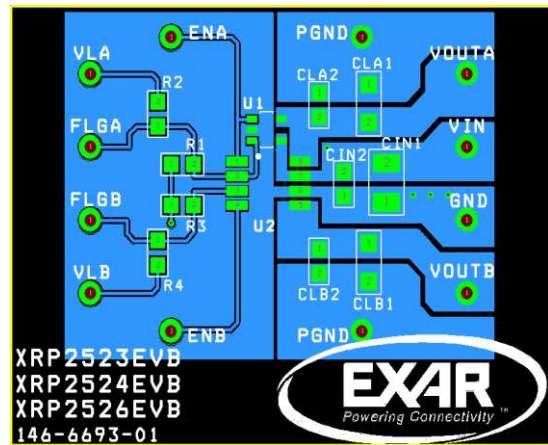


Fig. 19: Top Side Layout

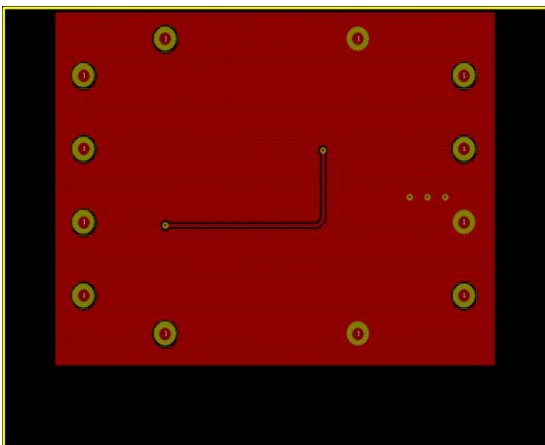


Fig. 20: Bottom Side Layout

DOCUMENT REVISION HISTORY

Revision	Date	Description
1.0.0	11/05/2012	Initial release of evaluation board manual

BOARD REVISION HISTORY

Board Revision	Date	Description
146-6693-01	10/10/2012	Initial release of evaluation board

FOR FURTHER ASSISTANCE

Email:

customersupport@exar.com

powertechsupport@exar.com

Exar Technical Documentation:

<http://www.exar.com/TechDoc/default.aspx?>



EXAR CORPORATION

HEADQUARTERS AND SALES OFFICES

48720 Kato Road
 Fremont, CA 94538 – USA
 Tel.: +1 (510) 668-7000
 Fax: +1 (510) 668-7030
www.exar.com

NOTICE

EXAR Corporation reserves the right to make changes to the products contained in this publication in order to improve design, performance or reliability. EXAR Corporation assumes no responsibility for the use of any circuits described herein, conveys no license under any patent or other right, and makes no representation that the circuits are free of patent infringement. Charts and schedules contained here in are only for illustration purposes and may vary depending upon a user's specific application. While the information in this publication has been carefully checked; no responsibility, however, is assumed for inaccuracies.

EXAR Corporation does not recommend the use of any of its products in life support applications where the failure or malfunction of the product can reasonably be expected to cause failure of the life support system or to significantly affect its safety or effectiveness. Products are not authorized for use in such applications unless EXAR Corporation receives, in writing, assurances to its satisfaction that: (a) the risk of injury or damage has been minimized; (b) the user assumes all such risks; (c) potential liability of EXAR Corporation is adequately protected under the circumstances.

Reproduction, in part or whole, without the prior written consent of EXAR Corporation is prohibited.