



Chipsmall Limited consists of a professional team with an average of over 10 year of expertise in the distribution of electronic components. Based in Hongkong, we have already established firm and mutual-benefit business relationships with customers from,Europe,America and south Asia,supplying obsolete and hard-to-find components to meet their specific needs.

With the principle of “Quality Parts,Customers Priority,Honest Operation,and Considerate Service”,our business mainly focus on the distribution of electronic components. Line cards we deal with include Microchip,ALPS,ROHM,Xilinx,Pulse,ON,Everlight and Freescale. Main products comprise IC,Modules,Potentiometer,IC Socket,Relay,Connector.Our parts cover such applications as commercial,industrial, and automotives areas.

We are looking forward to setting up business relationship with you and hope to provide you with the best service and solution. Let us make a better world for our industry!



## Contact us

Tel: +86-755-8981 8866 Fax: +86-755-8427 6832

Email & Skype: info@chipsmall.com Web: www.chipsmall.com

Address: A1208, Overseas Decoration Building, #122 Zhenhua RD., Futian, Shenzhen, China





# XRP6142

## Synchronous Step-Down Controller with DDR Memory Termination

July 2010

Rev. 0.0.2

### GENERAL DESCRIPTION

The EXAR XRP6142 Evaluation kit is a fully assembled and tested surface-mount PCB that demonstrates the XRP6142 constant on-time buck controller. The switch-mode power supply regulator generates a preset 2.5V output with a load of up to 15A.

The EVB kit requires a single input voltage  $V_{IN}$  source of 4.5V to 5.5V if  $V_{CC}$  is tied to  $V_{IN}$  via jumper J1. If  $V_{CC}$  is supplied through an independent 5V supply then the converter can operate with  $V_{IN}$  ranging from 3.3V to 5.5V.

### EVALUATION BOARD MANUAL



### FEATURES

- **Input Voltage Range of 4.5V – 5.5V ( $V_{CC}=V_{IN}$ )**
- **Input Voltage Range of 3.3V – 5.5V ( $V_{CC}=5V$ )**
- **15A output current**
- **Current limit with hiccup**
- **Internal soft-start**
- **Internal bootstrap diode**
- **No compensation required**
- **Precision Enable**

### EVALUATION BOARD SCHEMATICS

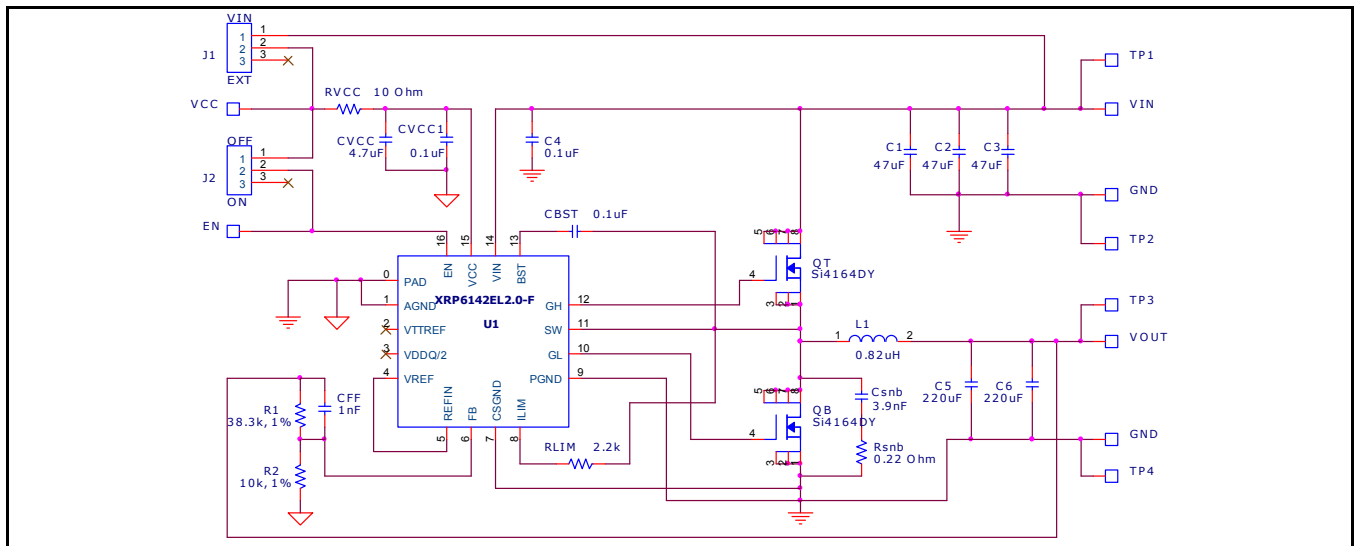


Figure 1: XRP6142 Evaluation Board Schematics



# XRP6142

## Synchronous Step-Down Controller with DDR Memory Termination

### PIN ASSIGNMENT

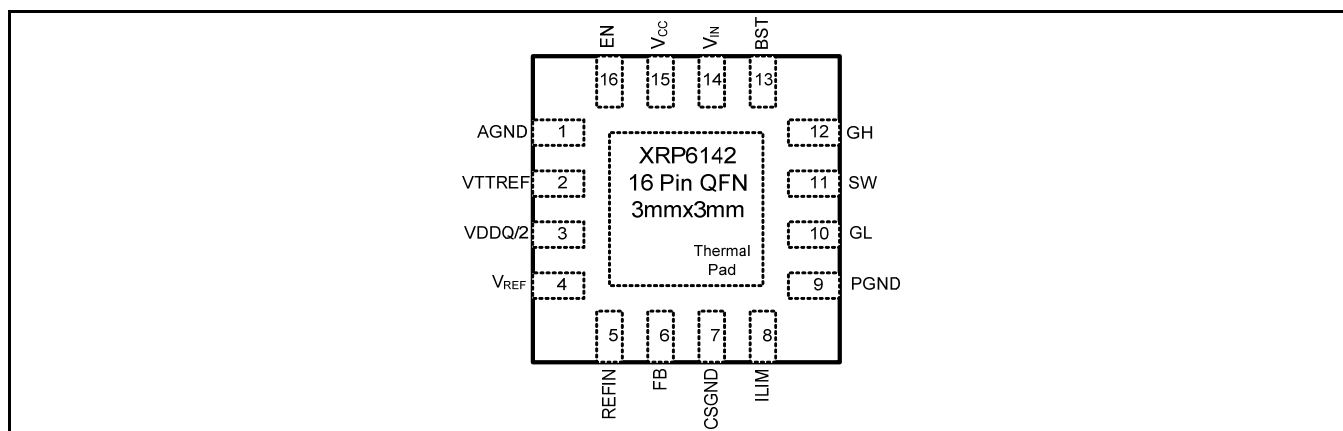


Figure 2: XRP6142 Pin Assignment

### PIN DESCRIPTION

Name	Pin Number	Description
AGND	1	Analog Ground
VTTREF	2	$V_{TT}$ reference for DDR applications. Buffered output of VDDQ/2
VDDQ/2	3	Voltage used for the input to the $V_{TT}$ buffer
$V_{REF}$	4	Precision reference output
REFIN	5	Reference input to the switching-regulator feedback comparator
FB	6	Feedback input to feedback comparator
CSGND	7	Current-sense ground
ILIM	8	Connect a resistor between this pin and the low-side current-sense element in order to set the current-limit-trip threshold. See applications section for instructions on how to set this resistor
PGND	9	Gate driver GND.
GL	10	Low-side N-channel MOSFET driver
SW	11	Switch node for floating-high-side gate drive
GH	12	High-side N-channel MOSFET driver
BST	13	Bootstrap capacitor to drive the high-side gate driver, GH
$V_{IN}$	14	Input voltage for the power train
Vcc	15	Input voltage for the XRP6142 internal circuitry and gate drives. $V_{in}$ and Vcc can be tied together when $V_{in} \geq 3.0V$
EN	16	Precision enable pin. Pulling this pin above 1.2V will turn the part on
Thermal pad	-	Internally connected to AGND

### ORDERING INFORMATION

Refer to XRP6142's datasheet and/or [www.exar.com](http://www.exar.com) for exact and up to date ordering information.





# XRP6142

## Synchronous Step-Down Controller with DDR Memory Termination

---

### USING THE EVALUATION BOARD

#### INITIAL SETUP

Set the input supply to a voltage between 4.5V to 5.5V and connect it to VIN and GND connectors on the upper left side of the evaluation board. Monitor  $V_{IN}$  using test pins TP1 and TP2. Connect the load to the VOUT and GND connectors at the lower right side of the board. Monitor  $V_{OUT}$  using test pins TP3 and TP4. Check to make sure that jumper J1 is set to left side (position marked VIN) and jumper J2 is set to left side (position marked OFF). The board will power-up and regulate the output upon turning on the input supply. The mean  $V_{OUT}$  is 2.48V for the pair of the standard resistors R1/R2 shown in figure 1. The board will operate with a load current  $I_{OUT}$  of up to 15A and provide efficiency equal to figure 6 of XRP6142 datasheet.

#### JUMPER J1 FUNCTION

Jumper J1 can be used to either short  $V_{CC}$  to  $V_{IN}$  or allow an independent supply to power-

up the  $V_{CC}$ . The Board is supplied from EXAR with jumper set at left side (position marked VIN). With this setting the  $V_{CC}$  is shorted to  $V_{IN}$  and minimum allowable  $V_{IN}=V_{CC}=4.5V$ . This is dictated by the 4.5V gate-drive voltage rating of the power MOSFETs. To power  $V_{CC}$  from an independent supply set J1 to right side position (marked EXT) and apply 5V between test points VCC and TP2. Thus  $V_{IN}$  can be applied over a 3.3V to 5.5V range.

#### JUMPER J2 FUNCTION

Jumper J2 can be used to either short the EN pin to  $V_{CC}$  or allow an independent enable signal to be applied to EN. The Board is supplied from EXAR with jumper set at left side (position marked OFF). With this setting EN is shorted to  $V_{CC}$ . Thus the rising and falling edge of the  $V_{CC}$  provide the enable/disable function respectively. In order to apply an independent enable signal set J2 to right side (position marked ON). Apply the enable signal between test points EN and TP2.

### EVALUATION BOARD LAYOUT

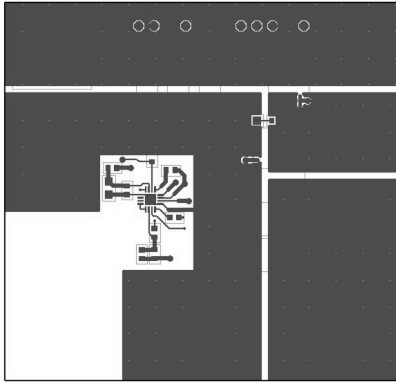


Figure 3: Top metal

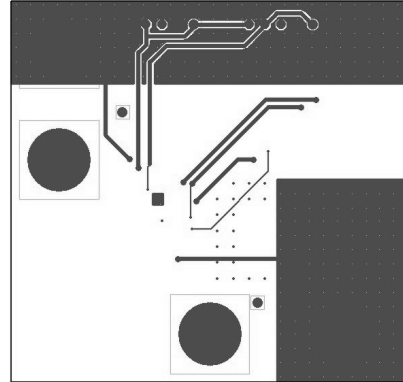


Figure 4: Bottom metal

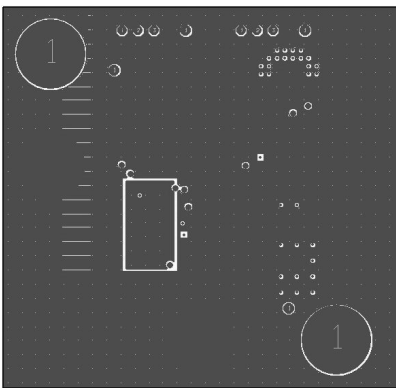


Figure 5: Internal layer 1 (Ground)

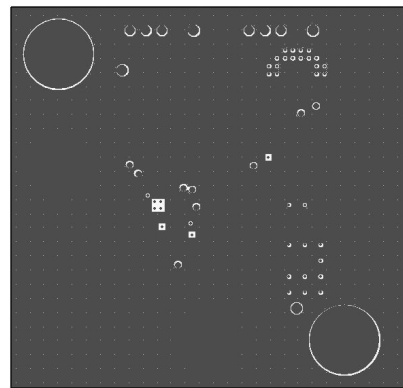


Figure 6: Internal layer 2 (Ground)

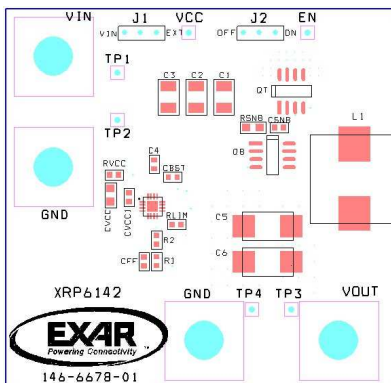


Figure 7: Component Placement



# XRP6142

## Synchronous Step-Down Controller with DDR Memory Termination

### BILL OF MATERIAL

Reference Designator	Qty.	Manufacturer	Manufacturer Part Number	Size	Component
PCB	1	Exar	XRP6142EB		XRP6142 Evaluation kit
U1	1	Exar	XRP6142EL2.0-F	QFN-16	Constant on-time Buck Controller
QT, QB	2	Vishay, Siliconix	Si4164DY	SO-8	N-Ch. UltraFET TrenchMOSFET
L1	1	Würth Elektronik	744355182	13x14mm	Inductor 0.82uH, 1.2mOhm, 27A
C1, C2, C3	3	Murata	GRM32ER71A476K	1210	Cap Cer 47uF, 10V, X7R, 10%
C4, CBST, CVCC1	3	Murata	GRM188R71H104K	0603	Cap Cer 0.1uF, 50V, X7R, 10%
C5, C6	2	Sanyo	6TPE220MI	D2E	POSCAP, 6.3V, 220uF, 18mOhm
CFF	1	Murata	GRM188R71H102K	0603	Cap Cer 1000pF, 50V,X7R, 10%
Csnb	1	Murata	GRM188R71H392K	0603	Cap Cer 3900pF, 50V, X7R, 10%
R1	1	Panasonic	ERJ-3EKF38R3V	0603	Chip Res. 38.3k Ohm, 1%
R2	1	Panasonic	ERJ-3EKF1002V	0603	Chip Res. 10k Ohm, 1%
RVCC	1	Panasonic	ERJ-3EKF10R0V	0603	Chip Res. 10 Ohm.
Rsnb	1	Panasonic	ERJ-6RQFR22V	0805	Resis. 0.22Ohm, 1/8W, 1%
J1, J2	2	Würth Elektronik	61304011121	HDR1X3	Conn. Header 0.1" 3POS
J1,J2(JUMPER)	2	Würth Elektronik	6.09003E+11	0.100"	CONN JUMPER SHORT.
TP1, TP2, TP3, TP4, VCC, EN	6	Vector Electronic	K24C/M	.042 Dia	Test Point Post
VIN, GND, VOUT, GND	4	Pomona Electronics	3267		HDWR BANANA JACK



# XRP6142

## Synchronous Step-Down Controller with DDR Memory Termination

### REVISION HISTORY

Revision	Date	Description
0.0.1	02/17/10	Document created
0.0.2	07/27/10	Changed R1 in figure 1 from 39.2k to 38.3k Changed R1 in BOM from 39.2k to 38.3k

### FOR FURTHER ASSISTANCE

Email:

[customersupport@exar.com](mailto:customersupport@exar.com)

Exar Technical Documentation:

<http://www.exar.com/TechDoc/default.aspx?>

### EXAR CORPORATION

#### HEADQUARTERS AND SALES OFFICES

48720 Kato Road

Fremont, CA 94538 – USA

Tel.: +1 (510) 668-7000

Fax: +1 (510) 668-7030

[www.exar.com](http://www.exar.com)



### NOTICE

EXAR Corporation reserves the right to make changes to the products contained in this publication in order to improve design, performance or reliability. EXAR Corporation assumes no responsibility for the use of any circuits described herein, conveys no license under any patent or other right, and makes no representation that the circuits are free of patent infringement. Charts and schedules contained here in are only for illustration purposes and may vary depending upon a user's specific application. While the information in this publication has been carefully checked; no responsibility, however, is assumed for inaccuracies.

EXAR Corporation does not recommend the use of any of its products in life support applications where the failure or malfunction of the product can reasonably be expected to cause failure of the life support system or to significantly affect its safety or effectiveness. Products are not authorized for use in such applications unless EXAR Corporation receives, in writing, assurances to its satisfaction that: (a) the risk of injury or damage has been minimized; (b) the user assumes all such risks; (c) potential liability of EXAR Corporation is adequately protected under the circumstances.

Reproduction, in part or whole, without the prior written consent of EXAR Corporation is prohibited.