



Chipsmall Limited consists of a professional team with an average of over 10 year of expertise in the distribution of electronic components. Based in Hongkong, we have already established firm and mutual-benefit business relationships with customers from,Europe,America and south Asia,supplying obsolete and hard-to-find components to meet their specific needs.

With the principle of "Quality Parts,Customers Priority,Honest Operation,and Considerate Service",our business mainly focus on the distribution of electronic components. Line cards we deal with include Microchip,ALPS,ROHM,Xilinx,Pulse,ON,Everlight and Freescale. Main products comprise IC,Modules,Potentiometer,IC Socket,Relay,Connector.Our parts cover such applications as commercial,industrial, and automotives areas.

We are looking forward to setting up business relationship with you and hope to provide you with the best service and solution. Let us make a better world for our industry!



Contact us

Tel: +86-755-8981 8866 Fax: +86-755-8427 6832

Email & Skype: info@chipsmall.com Web: www.chipsmall.com

Address: A1208, Overseas Decoration Building, #122 Zhenhua RD., Futian, Shenzhen, China





A New Direction in Mixed-Signal

1.5A 18V 1.4MHz non-Synchronous Step-Down Converter

XRP7659

Rev. 1.0.0

August 2012

GENERAL DESCRIPTION

The EXAR XRP7659 Evaluation kit is a fully assembled and tested surface-mount PCB that demonstrates the XRP7659 non-synchronous step-down regulator. The current-mode switching regulator generates a preset 3.3V output with a load of up to 1.5A.

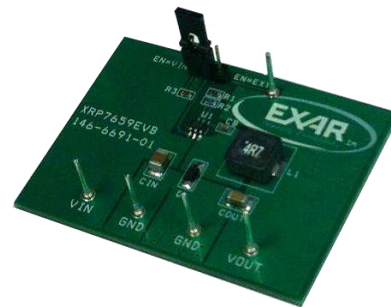
The EVB kit requires a single input voltage VIN source, if EN is tied to VIN via jumper J1 (default setting as supplied from EXAR). If J1 is set to EN=EXT position, then a logic-level active-high signal is required at EN pin in order to turn the regulator on and off.

STANDARD CONFIGURATION

The XRP7659EVB evaluation board is configured to operate under the following conditions and parameters:

- Input voltage range: 4.5V - 18V
- Output voltage range: 3.3V
- Output current/load range: 0 – 1.5A

EVALUATION BOARD MANUAL



FEATURES

- **1.5A Continuous Output Current**
- **4.5V to 18V Wide Input Voltage**
- **PWM Current-Mode Control**
 - 1.4MHz Constant frequency
- **Adjustable Output Voltage**
 - 0.81V to 15V Range / ±3% Accuracy
- **Enable Function and integrated Softstart**
- **Built-in Thermal, Over-Current, UVLO and Output Over-Voltage Protection**
- **RoHS Compliant, "Green"/Halogen Free SOT-23-6 Package**

EVALUATION BOARD SCHEMATICS

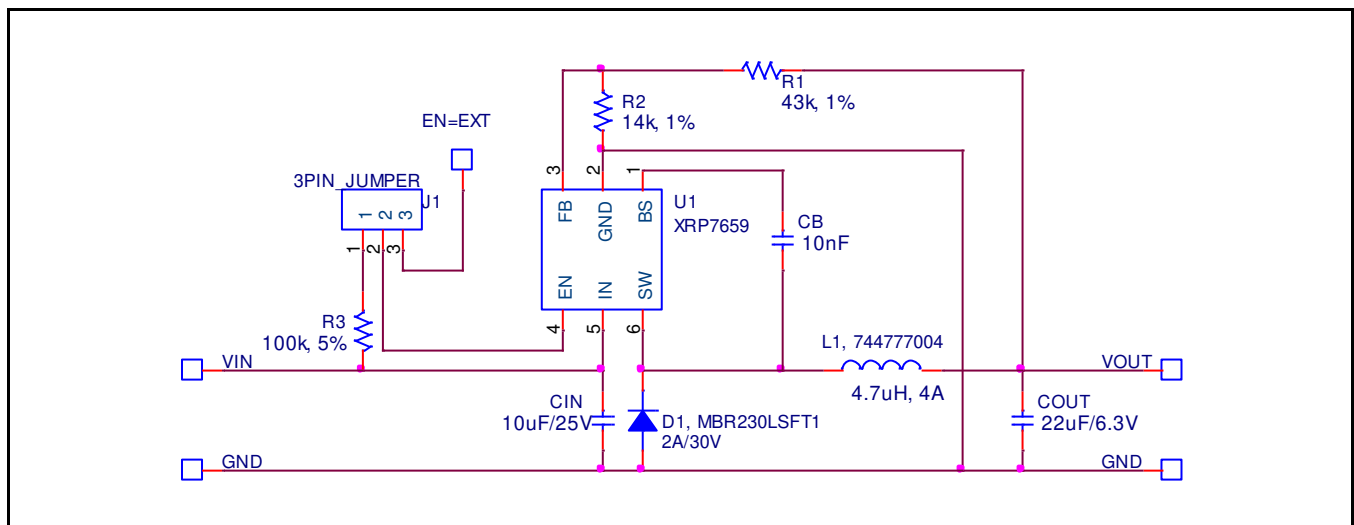


Fig. 1: XRP7659 Evaluation Board Schematics

PIN ASSIGNMENT

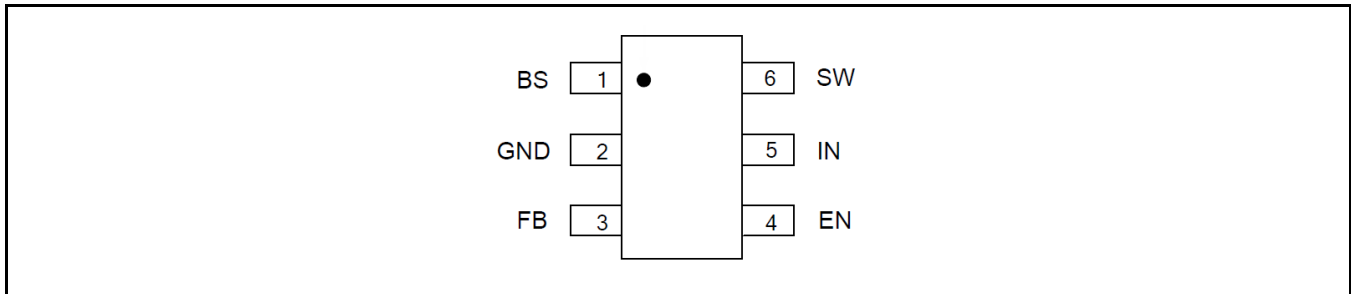


Fig. 2: XRP7659 Pin Assignment

PIN DESCRIPTION

Name	Pin Number	Description
BS	1	Bootstrap pin. Connect a 10nF bootstrap capacitor between BS and SW pins. The voltage across the bootstrap capacitor drives the internal high-side MOSFET.
GND	2	Ground pin.
FB	3	Feedback pin. Connect to a resistor divider to program the output voltage. If V_{FB} exceeds 0.972V the OVP is triggered. If V_{FB} drops below 0.25V the short circuit protection is activated.
EN	4	Enable Input Pin. Forcing this pin above 1.5V enables the IC. Forcing the pin below 0.4V shuts down the IC. For automatic enable connect a 100kΩ resistor between EN and IN.
IN	5	Power Input Pin. Must be closely decoupled to GND pin with a 10μF/25V or greater ceramic capacitor.
SW	6	Power switch output pin. Connect to inductor and bootstrap capacitor.

ORDERING INFORMATION

Refer to XRP7659’s datasheet and/or www.exar.com for exact and up to date ordering information.

USING THE EVALUATION BOARD

STANDARD CONFIGURATION

The evaluation board is configured to operate under the following conditions and parameters:

- Input voltage range: 4.5V - 18V
- Output voltage range: 3.3V
- Output current/load range: 0 – 1.5A

INITIAL SETUP

Set the input supply to 12V and connect it to VIN and GND connectors on the left side of the evaluation board. Connect the load to the VOUT and GND connectors on the right side of the board. Check to make sure that jumper J1

is set to the left side (position marked EN=VIN). The board will power up and regulate the output at 3.3V upon turning on the input supply. The XRP7659 will operate with a load current of up to 1.5A and should provide nominal efficiency equal to figure 4 of the datasheet.

JUMPER J1 FUNCTION

Jumper J1 can be used to either connect EN to VIN or allow an independent logic-level control signal to be applied to EN. The board is supplied from EXAR with jumper J1 set at left-side (position marked EN=VIN). This allows for automatic startup of the XRP7659 regulator when VIN is applied.

1.5A 18V 1.4MHz non-Synchronous Step-Down Converter

TYPICAL PERFORMANCE CHARACTERISTICS

All data taken at $V_{IN} = 12V$, $T_J = T_A = 25^\circ C$, unless otherwise specified - Schematic and BOM from Application Information section of this manual.

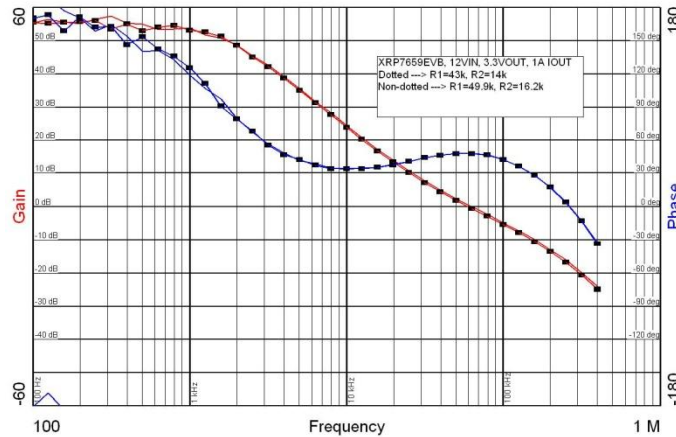
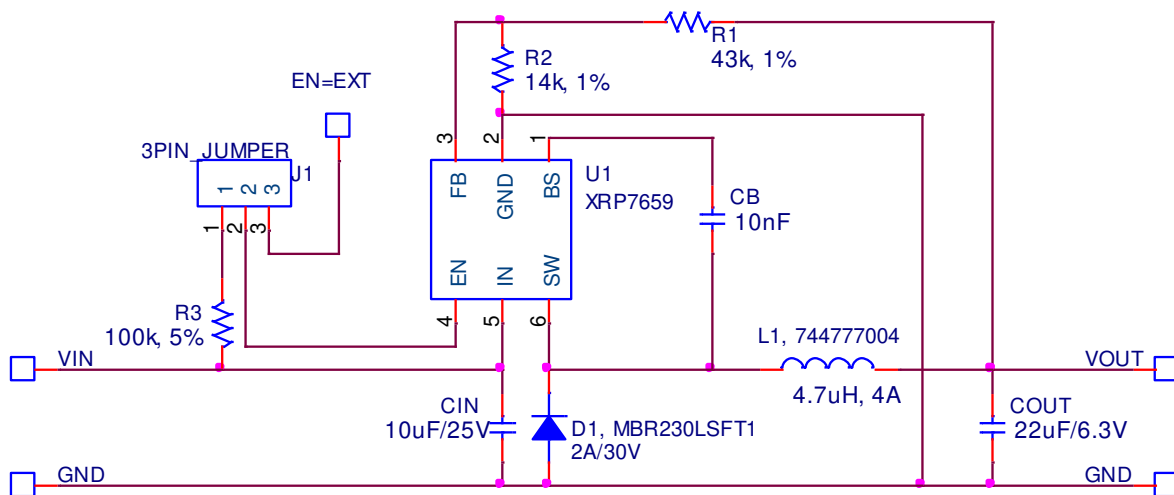


Fig. 3: Gain and Phase Margin Responses of XRP7659EVB

Bode plots of the XRP7659EVB, as illustrated in Fig. 3, show a stable system with a $\sim 60kHz$ crossover frequency and $\sim 50dB$ phase margin.

Furthermore, the XRP7659EVB is stable and exhibits similar performances with both the recommended resistors R1 and R2 at respectively $43k\Omega$ and $14k\Omega$ and the Monolithic Power System's MP2359 recommended resistors R1 and R2 at respectively $49.9k\Omega$ and $16.2k\Omega$.

EVALUATION BOARD SCHEMATICS



Title		
XRP7659EVB		
Size	Document Number	Rev
A	146-6691-01	
Date:	Tuesday, August 07, 2012	Sheet 1 of 1

BILL OF MATERIAL

Ref.	Qty	Manufacturer	Part Number	Size	Component
PCB	1	Exar	XRP7659EVB	2"x2"	XRP7659 Evaluation kit
U1	1	Exar	XRP7659	SOT23-6	Buck regulator
D1	1	ON Semi	MBR230LSFT1	SOD123	Schottky, 2A/30V
L1	1	Würth Elektronik	744777004	7.3x7.3mm	4.7uH shielded inductor
CIN	1	Murata Corp.	GRM32DR61E106KA12L	1210	CER CAP 10uF, 25V, X5R
COUT	1	Murata Corp.	GRM31CR60J226KE19L	1206	CER CAP 22uF, 6.3V, X5R
CB	1	Murata Corp.	GRM188R71H103KA01D	0603	CER CAP 10000pF, X7R, 50V
R1	1	Panasonic Corp.	ERJ-3EKF4302V	0603	Resistor 43.0kΩ, 1%
R2	1	Panasonic Corp.	ERJ-3EKF1402V	0603	Resistor 14.0kΩ, 1%
R3	1	Panasonic Corp.	ERJ-3EKF1003V	0603	Resistor 100kΩ, 1%
J1	1	Würth Elektronik	61304011121		Conn. Header 0.1" 3POS
J1(JUMPER)	1	Würth Elektronik	609002115121		CONN JUMPER SHORT.
VIN, VOUT, GND, EN	5	Vector Electronic	K24C/M	.042 Dia	Test Point Post

EVALUATION BOARD LAYOUT

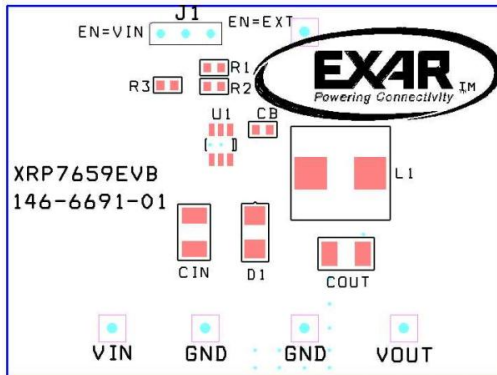


Fig. 4: Component Placement – Top Side

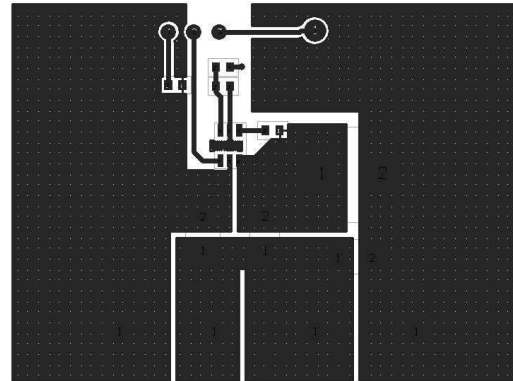


Fig. 5: Layout – Top Side

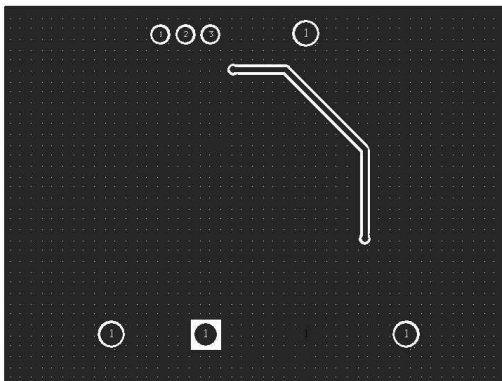


Fig. 6: Layout - Bottom



DOCUMENT REVISION HISTORY

Revision	Date	Description
1.0.0	08/09/2012	Initial release of document

BOARD REVISION HISTORY

Board Revision	Date	Description
146-6691-01	08/09/2012	Initial release of evaluation board

FOR FURTHER ASSISTANCE

Email: customersupport@exar.com
Exar Technical Documentation: <http://www.exar.com/TechDoc/default.aspx?>



EXAR CORPORATION

HEADQUARTERS AND SALES OFFICES

48720 Kato Road
Fremont, CA 94538 – USA
Tel.: +1 (510) 668-7000
Fax: +1 (510) 668-7030
www.exar.com

NOTICE

EXAR Corporation reserves the right to make changes to the products contained in this publication in order to improve design, performance or reliability. EXAR Corporation assumes no responsibility for the use of any circuits described herein, conveys no license under any patent or other right, and makes no representation that the circuits are free of patent infringement. Charts and schedules contained here in are only for illustration purposes and may vary depending upon a user's specific application. While the information in this publication has been carefully checked; no responsibility, however, is assumed for inaccuracies.

EXAR Corporation does not recommend the use of any of its products in life support applications where the failure or malfunction of the product can reasonably be expected to cause failure of the life support system or to significantly affect its safety or effectiveness. Products are not authorized for use in such applications unless EXAR Corporation receives, in writing, assurances to its satisfaction that: (a) the risk of injury or damage has been minimized; (b) the user assumes all such risks; (c) potential liability of EXAR Corporation is adequately protected under the circumstances.

Reproduction, in part or whole, without the prior written consent of EXAR Corporation is prohibited.