



Chipsmall Limited consists of a professional team with an average of over 10 year of expertise in the distribution of electronic components. Based in Hongkong, we have already established firm and mutual-benefit business relationships with customers from,Europe,America and south Asia,supplying obsolete and hard-to-find components to meet their specific needs.

With the principle of “Quality Parts,Customers Priority,Honest Operation,and Considerate Service”,our business mainly focus on the distribution of electronic components. Line cards we deal with include Microchip,ALPS,ROHM,Xilinx,Pulse,ON,Everlight and Freescale. Main products comprise IC,Modules,Potentiometer,IC Socket,Relay,Connector.Our parts cover such applications as commercial,industrial, and automotives areas.

We are looking forward to setting up business relationship with you and hope to provide you with the best service and solution. Let us make a better world for our industry!



Contact us

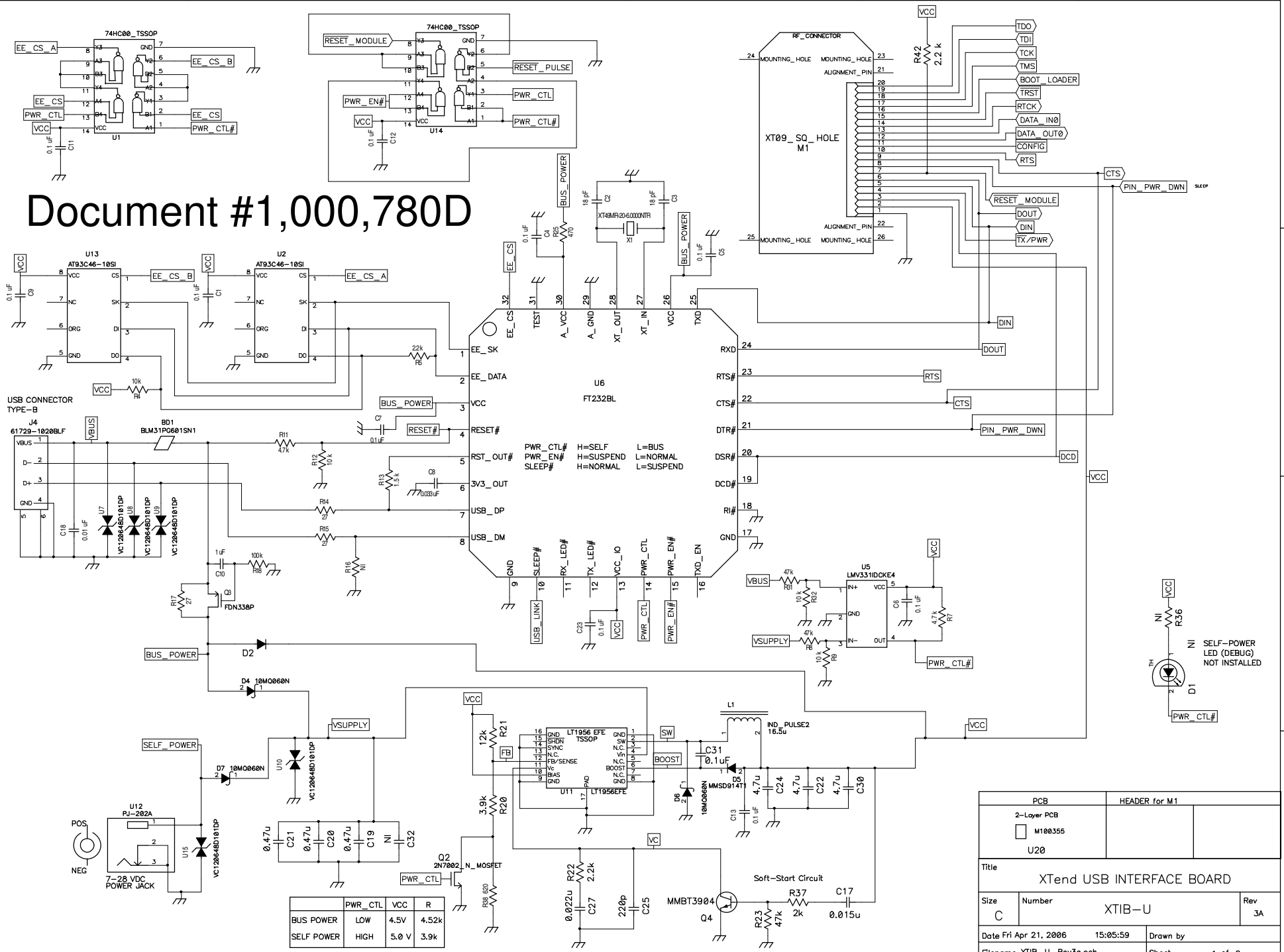
Tel: +86-755-8981 8866 Fax: +86-755-8427 6832

Email & Skype: info@chipsmall.com Web: www.chipsmall.com

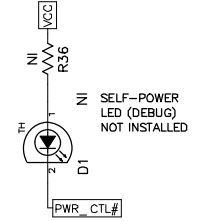
Address: A1208, Overseas Decoration Building, #122 Zhenhua RD., Futian, Shenzhen, China



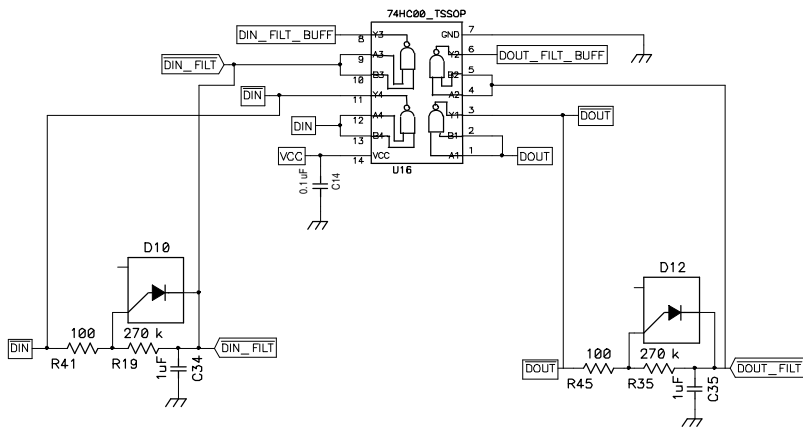
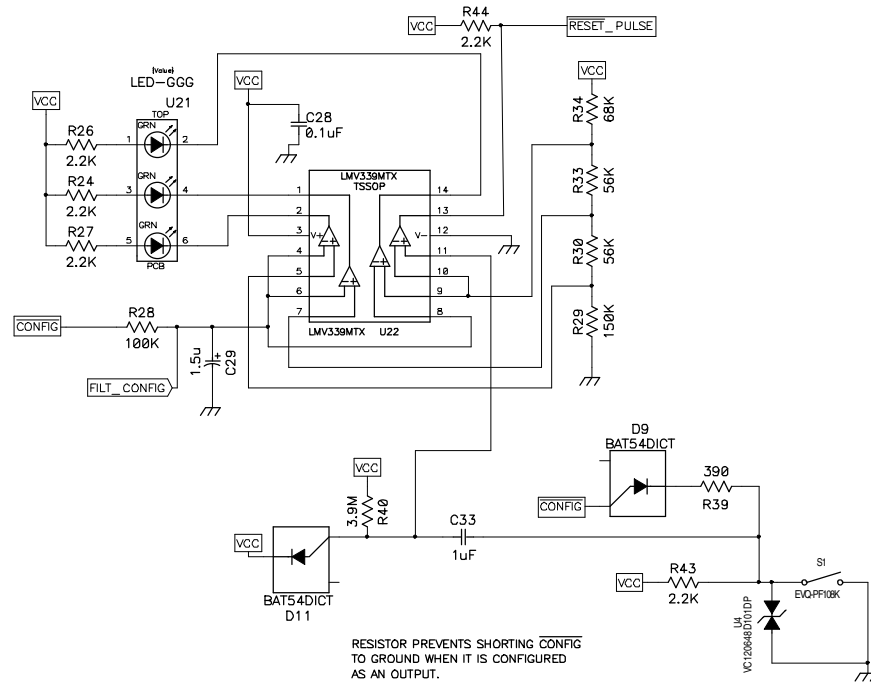
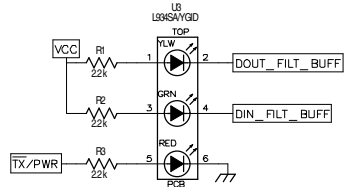
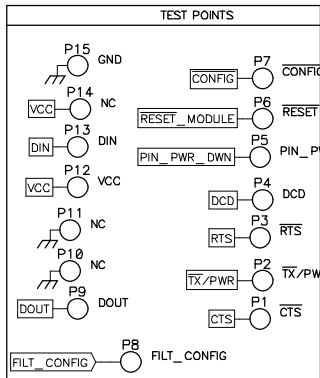
Document #1,000,780D



PCB 2-Layer PCB M100355 U20		HEADER for M1	
Title XTend USB INTERFACE BOARD			
Size C	Number XTIB-U	Rev 3A	
Date Fri Apr 21, 2006	Time 15:05:59	Drawn by	
Filename XTIB_U_Rev3a.sch	Sheet 1	of 2	



SELF-POWER LED (DEBUG) NOT INSTALLED



Title			XTend USB INTERFACE BOARD		
Size	Number	XTIB-U		Rev	3A
C					
Date	Fri Apr 21, 2006	15:05:59	Drawn by		
Filename	XTIB_U_Rev3a.sch	Sheet		2 of 2	