



Chipsmall Limited consists of a professional team with an average of over 10 year of expertise in the distribution of electronic components. Based in Hongkong, we have already established firm and mutual-benefit business relationships with customers from,Europe,America and south Asia,supplying obsolete and hard-to-find components to meet their specific needs.

With the principle of “Quality Parts,Customers Priority,Honest Operation,and Considerate Service”,our business mainly focus on the distribution of electronic components. Line cards we deal with include Microchip,ALPS,ROHM,Xilinx,Pulse,ON,Everlight and Freescale. Main products comprise IC,Modules,Potentiometer,IC Socket,Relay,Connector.Our parts cover such applications as commercial,industrial, and automotives areas.

We are looking forward to setting up business relationship with you and hope to provide you with the best service and solution. Let us make a better world for our industry!



Contact us

Tel: +86-755-8981 8866 Fax: +86-755-8427 6832

Email & Skype: info@chipsmall.com Web: www.chipsmall.com

Address: A1208, Overseas Decoration Building, #122 Zhenhua RD., Futian, Shenzhen, China



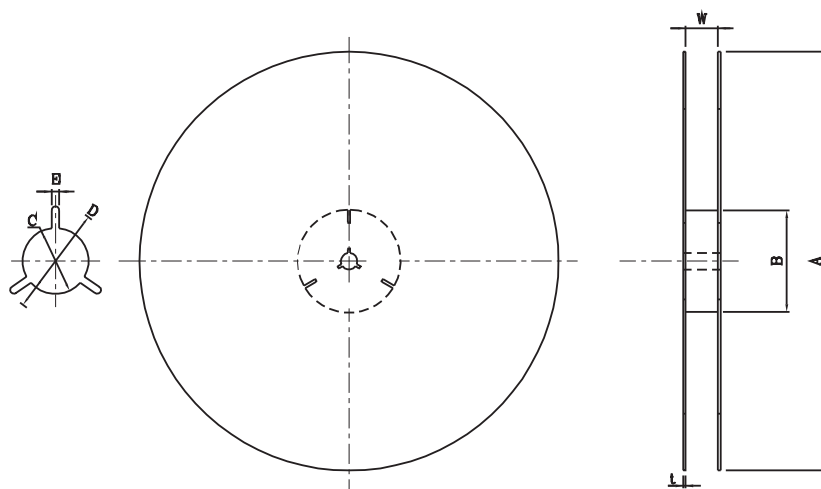
Packaging Information

PRODUCT & PACKAGING CODE

Product	Tape(Carrier)	Reel	Unit	Remark
XY, PY, OY, TY	C27	R15	3000PCS/Reel	Standard Carrier
XX, PX, OX, TX, X2, OA	C25	R15	3000PCS/Reel	Standard Carrier
XV, XS, OV, OW, VW	C24	R13	1000PCS/Reel	Standard Carrier
	C24	R14	3000PCS/Reel	Optional Carrier
XR	C5	R2	1000PCS/Reel	Standard Carrier
OC, OT, VT, TS, TT, TA	C3	R2	1000PCS/Reel	Standard Carrier
XQ	C4	R2	1000PCS/Reel	Standard Carrier
	C4	R9	3000PCS/Reel	Optional Carrier
XI	-	-	2000PCS Plastic Bag	Standard Carrier
	A2	-	1000(800)PCS/Ammopack	Optional Carrier
XJ	C2	R6	1000PCS/Reel	Standard Carrier
TF, NF	-	-	Box	Standard Carrier
TK, VK	C22	R6	500PCS/Reel	Standard Carrier
XD 20 × 12 mm	C40	R15	3000PCS/Reel	Standard Carrier
XD 32 × 15 mm	C28	R13	3000PCS/Reel	Standard Carrier
XD 41 × 15 mm	C29	R13	3000PCS/Reel	Standard Carrier
XA	-	-	1000PCS Plastic Bag	Standard Carrier
XB	-	-	2000PCS Plastic Bag	Standard Carrier
NI, NA, NP	-	-	Box	Standard Carrier
TW	C31	R13	1000PCS/Reel	Standard Carrier
XZ, OZ	C33	R15	3000PCS/Reel	Standard Carrier
X3	C34	R15	3000PCS/Reel	Standard Carrier
NJ	C35	R22	200PCS/Reel	Standard Carrier
XN 69 × 14 mm	C32	R21	3000PCS/Reel	Standard Carrier
XN 80 × 38 mm	C36	R21	3000PCS/Reel	Standard Carrier
NK-N	C37	R23	500PCS/Reel	Standard Carrier
TZ	C33	R15	4000PCS/Reel	Standard Carrier

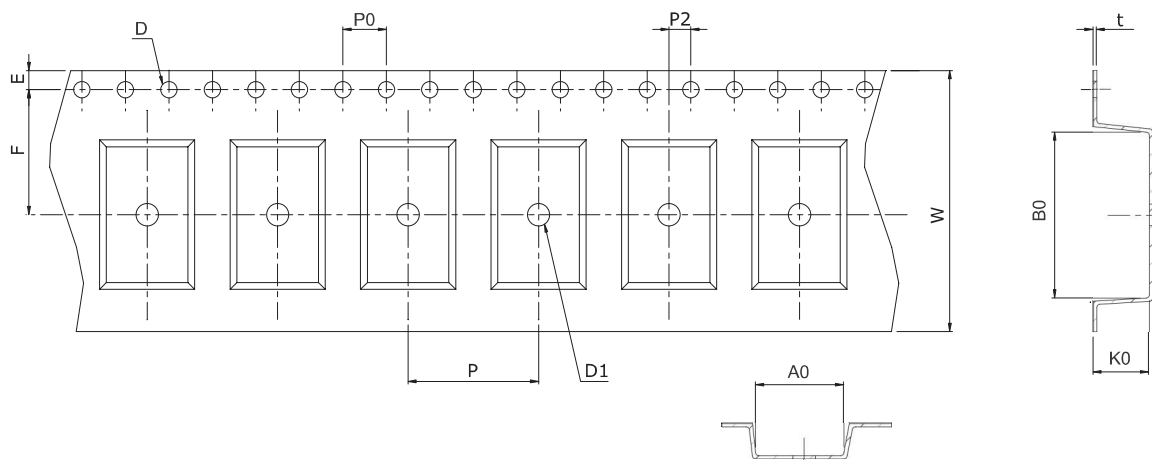
REEL DIMENSIONS Unit:mm

Code	A	B	C	E	W
R2	180	60	13.00 ±0.5	2.30	16.40 +2.0 -0
R6	330	100	13.00 ±0.5	2.00 ±0.5	24.40 +2.0 -0.0
R9	330 ±2	100 ±4	13.00 ±0.2	2.20 ±0.5	16.40 +2.0 -0.0
R13	180 ±3	60 ±1	13.00 ±0.2	2.00 ±0.5	13.00 ±0.3
R14	330	100	13.00 ±0.5	2.00 ±0.5	12.50 +3.0 0.0
R15	180	60	13.00 ±0.5	2.30 ±0.5	9.30 +1.0 -0.0
R21	330	100	13.00	2.00	17.50
R22	330 ±2	100 ±4	13.20 ±0.2	2.20 ±0.5	44.40 +2.0 -0.0
R23	330 ±2	100 ±4	13.20 ±0.2	2.20 ±0.5	25.00 +2.0 -0.0

**REEL
R2, R6, R9, R13, R14, R15, R21, R22, R23**


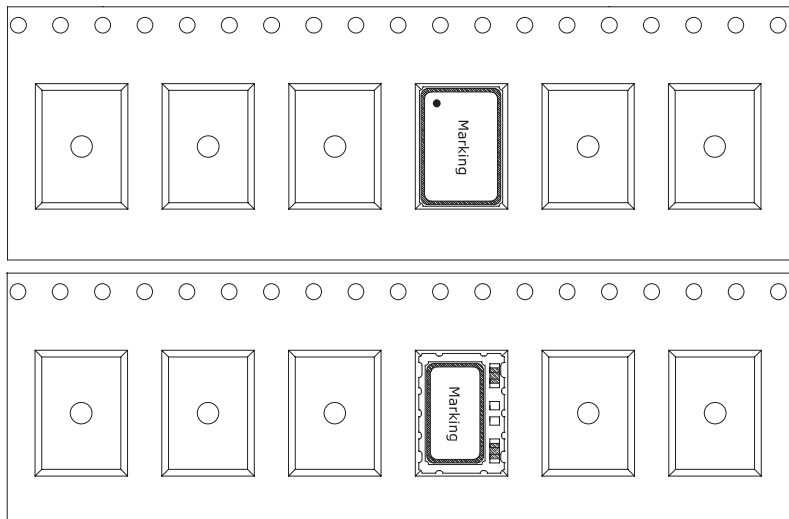
TAPE(CARRIER) DIMENSIONS Unit:mm

Code	A0	B0	D	D1	E	F
C3	5.56 ±0.1	7.85 ±0.1	Ø1.50 +0.1 -0.0	Ø1.50 Min.	1.75 ±0.1	7.50 ±0.1
C4	5.00 0.1 -0.2	8.40 ±0.2	Ø1.50 ±0.1	Ø1.60 +0.1 -0.1	1.75 ±0.1	7.50 ±0.1
C5	3.95 ±0.1	6.50 ±0.1	Ø1.50 +0.1 -0	Ø1.50 +0.25 -0	1.75 ±0.1	7.50 ±0.1
C22	10.20 ±0.1	15.00 ±0.1	Ø1.50	Ø1.50	1.75	11.50 ±0.1
C24	3.60 ±0.1	5.40 ±0.1	1.55 ±0.05	Ø1.50 Min.	1.75 ±0.1	5.50 ±0.05
C25	2.70 ±0.1	3.40 ±0.1	1.5 +0.1 -0	Ø1.0 Min.	1.75 ±0.1	3.50 ±0.05
C27	2.25 ±0.1	2.75 ±0.10	1.50 +0.1 -0	Ø1.10 ±0.1	1.75 ±0.1	3.50 ±0.05
C28	1.85 ±0.1	3.60 ±0.1	Ø1.50 ±0.1	Ø1.05 ±0.05	1.75 ±0.1	5.50 ±0.05
C29	1.85 ±0.1	4.50 ±0.1	Ø1.50 ±0.1	Ø1.05 ±0.05	1.75 ±0.1	5.50 ±0.05
C31	3.60 ±0.1	5.40 ±0.1	Ø1.55 ±0.05	Ø1.50 Min.	1.75 ±0.1	5.50 ±0.05
C32	1.70 ±0.1	7.20 ±0.1	1.50 0.10 -0	1.00	1.75 ±0.1	7.50 ±0.1
C33	1.90 ±0.1	2.30 ±0.1	Ø1.55 ±0.05	Ø1.1 ±0.05	1.75 ±0.1	3.50 ±0.05
C34	1.45 ±0.1	1.85 ±0.1	1.55 ±0.05	Ø1.50 Min.	1.75 ±0.1	3.50 ±0.05
C35	23.00 ±0.1	26.00 ±0.1	1.50 +0.1 -0	2.00 ±0.1	1.75 ±0.1	20.20 ±0.15
C36	4.05 ±0.1	8.30 ±0.1	1.50 0.10 -0	1.60	1.75 ±0.1	7.50 ±0.1
C37	10.00 ±0.1	15.00 ±0.1	1.50 +0.1 -0	2.00 ±0.1	1.75 ±0.1	11.50 ±0.15
C40	1.45 ±0.1	2.25 ±0.1	Ø1.50 ±0.1	Ø1.05 ±0.05	1.75 ±0.1	2.75 ±0.05

TAPE CARRIER
C3, C4, C5, C22, C24, C25, C27, C28, C29, C31, C32, C33, C34, C35, C36, C37, C40


K0	P	P0	P2	t	w
2.00	8.00	4.00	2.00	0.30	16.00
±0.1	±0.1	±0.1	±0.1	±0.05	±0.3
2.00	8.00	4.00	2.00	0.3	16.00
±0.1	±0.1	±0.1	±0.1	±0.1	±0.30
1.35	8.00	4.00	2.00	0.31	16.00
±0.1	±0.1	±0.1	±0.1	±0.1	±0.30
5.50	16.00	4.00	2.00	0.50	24.00
	±0.1			±0.05	±0.2
1.40	8.00	4.00	2.00	0.30	12.00
±0.1	±0.1	±0.1	±0.05	±0.05	±0.2
1.40	4.00	4.00	2.00	0.25	8.00
±0.1	±0.1	±0.1	±0.05	±0.05	+0.1 -0
1.15	4.00	4.00	2.00	0.25	8.00
±0.10	±0.1	±0.1	±0.05	±0.05	±0.2
0.95	4.00	4.00	2.00	0.25	12.00
±0.05	±0.1	±0.1	±0.05	±0.05	±0.2
0.95	4.00	4.00	2.00	0.25	12.00
±0.05	±0.1	±0.1	±0.05	±0.05	±0.2
1.70	8.00	4.00	2.00	0.30	12.00
±0.1	±0.1	±0.1	±0.05	±0.05	±0.2
1.70	8.00	4.0	2.0	1.70	16.00
±0.1		±0.1	±0.1		
0.90	4.00	4.00	2.00	0.25	8.00
±0.1	±0.1	±0.1	±0.05	±0.02	±0.2
0.45	4.00	4.00	2.00	0.25	8.00
±0.1	±0.1	±0.1	±0.1	±0.02	±0.2
12.50	32.00	4.00	2.00	0.50	44.00
±0.1	±0.1	±0.1	±0.1	±0.05	±0.3
2.70	8.00	4.00	2.00	2.70	16.00
±0.1		±0.1	±0.1		
7.00	16.00	4.00	2.00	0.50	24.00
±0.1	±0.1	±0.1	±0.1	±0.05	±0.3
0.80	4.00	4.00	2.00	0.25	8.00
±0.1	±0.1	±0.1	±0.05	±0.05	±0.2

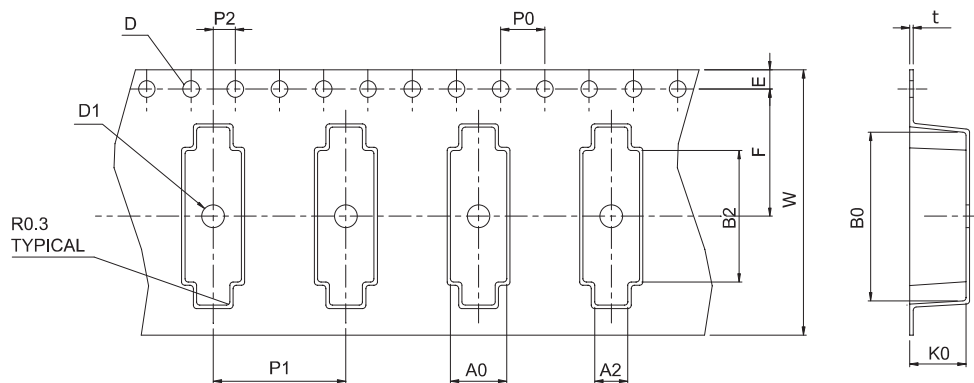
THE DIRECTION OF PACKING



TAPE(CARRIER) DIMENSIONS Unit:mm

Code	A0	A2	B0	B2	D	D1	E
C2	4.85	2.00	14.65	11.60	Ø1.50 ±0.1	Ø1.50 ±0.1	1.75 ±0.1

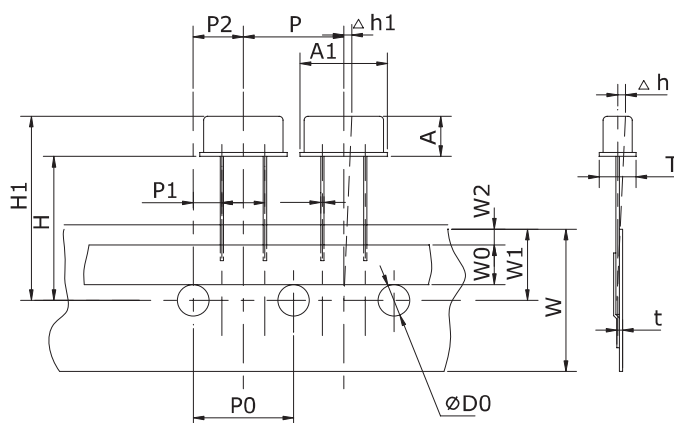
TAPE CARRIER C2



AMMOPACK DIMENSIONS (mm)

Code	h1	t	D0	H1	H	W2	W1	W0	W
A2	0 ± 2.0	0.9max.	Ø4.00 ±0.20	22.5max.	18.00 ±0.75	2.0max	9.00 +0.75 -0.5	5.00 ±0.5	18.0 +1.0 -0.5

AMMOPACK A2



F	K0	P0	P1	P2	t	W
11.50	4.35	4.00	12.00	2.00	0.40	24.00
±0.1	±0.1	±0.1	±0.1	±0.1	±0.05	±0.3

h	P2	P1	P0	P	T	A1 x A
0 ± 2.0	6.35	3.85	12.70	12.70	4.68max	11.05max. x 3.51max.
	±0.7	±0.70	±0.30	±1.0		