

Chipsmall Limited consists of a professional team with an average of over 10 year of expertise in the distribution of electronic components. Based in Hongkong, we have already established firm and mutual-benefit business relationships with customers from,Europe,America and south Asia,supplying obsolete and hard-to-find components to meet their specific needs.

With the principle of “Quality Parts,Customers Priority,Honest Operation,and Considerate Service”,our business mainly focus on the distribution of electronic components. Line cards we deal with include Microchip,ALPS,ROHM,Xilinx,Pulse,ON,Everlight and Freescale. Main products comprise IC,Modules,Potentiometer,IC Socket,Relay,Connector.Our parts cover such applications as commercial,industrial, and automotives areas.

We are looking forward to setting up business relationship with you and hope to provide you with the best service and solution. Let us make a better world for our industry!



## Contact us

Tel: +86-755-8981 8866 Fax: +86-755-8427 6832

Email & Skype: [info@chipsmall.com](mailto:info@chipsmall.com) Web: [www.chipsmall.com](http://www.chipsmall.com)

Address: A1208, Overseas Decoration Building, #122 Zhenhua RD., Futian, Shenzhen, China

## Bulk Metal® Foil Technology Power Current Sensing Resistors with TCR of 5 ppm/°C and Power Rating up to 7 W



Any value available within resistance range

These Bulk Metal® Foil power current sensing resistors are direct replacements for certain wirewound devices but without the inductive characteristics of wirewounds. The anodized aluminum housing is drilled and countersunk to accept flat head screws for thermal mounting. Because the device is internally Kelvin connected, there is no restriction on the lead lengths as would be the case if this were a two terminal device. Frequently used in YIG oscillator circuits these devices contribute to superior frequency stability.

### FEATURES

- Temperature Coefficient of Resistance (TCR):  
± 5 ppm/°C (Above 10 Ω)  
± 10 ppm/°C (Below 10 Ω)
- Tolerance: to ± 0.01 %
- Resistance Range: 1 Ω to 100 kΩ
- Electrostatic Discharge (ESD) above 25 000 V
- Non Inductive, Non Capacitive Design
- Rise Time: 1.0 ns without ringing
- Current Noise: < - 40 dB
- Thermal EMF: < 0.05 μV/°C typical
- Voltage Coefficient: < 0.1 ppm/V
- Non-Inductive: < 0.08 μH
- Non Hot Spot Design
- Terminal Finishes available: Lead (Pb)-free  
Tin/lead alloy
- Prototype Samples available from 48 h. Please contact [foil@vishaypg.com](mailto:foil@vishaypg.com)
- For better performances, please contact us



RoHS\*  
COMPLIANT

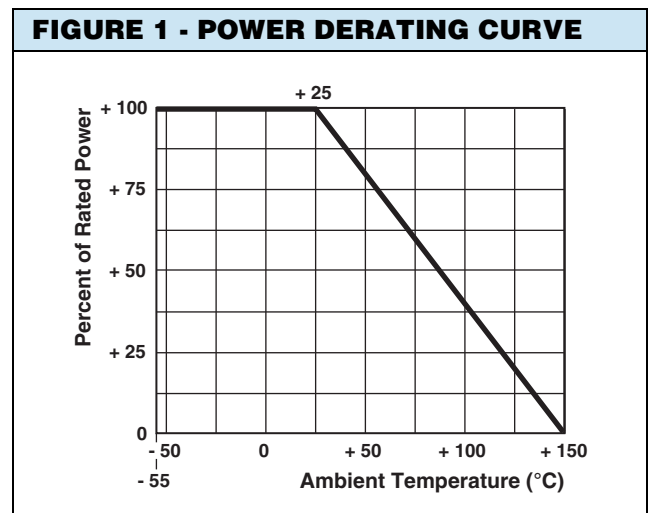
**TABLE 1 - SPECIFICATIONS**

MODEL NUMBER	RESISTANCE RANGE (Ω)	TOLERANCE TO	MAXIMUM WORKING VOLTAGE	POWER <sup>1)</sup> RATING at 25 °C
VPR5	1 to 10	± 0.1 %	300 V	5 W
	> 10 to 100	± 0.05 %		
	> 100 to 100K	± 0.01 %		
VPR7	1 to 10	± 0.1 %	300 V	7 W
	> 10 to 100	± 0.05 %		
	> 100 to 100K	± 0.01 %		

**Note**

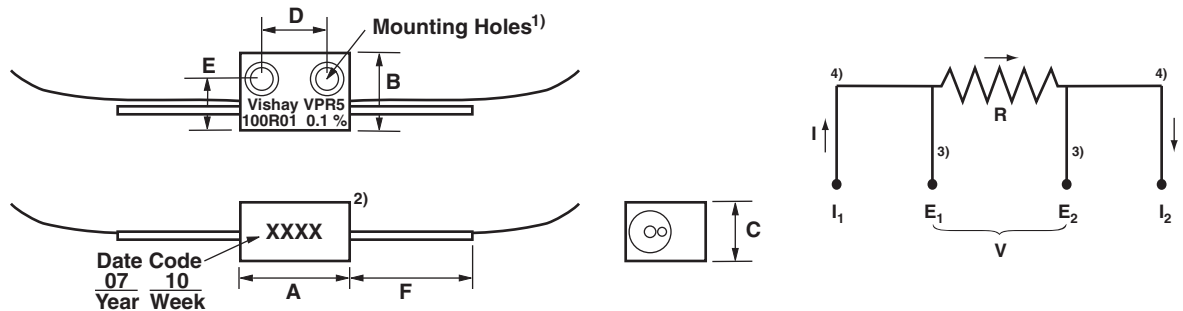
1. Mounted on aluminum chassis (6" L x 4" W x 2" H x 0.040" Th) per MIL-R-39009/1B.

**FIGURE 1 - POWER DERATING CURVE**



\* Pb containing terminations are not RoHS compliant, exemptions may apply

**TABLE 2 - STANDARD IMPRINTING AND DIMENSIONS**



**DIMENSIONS**

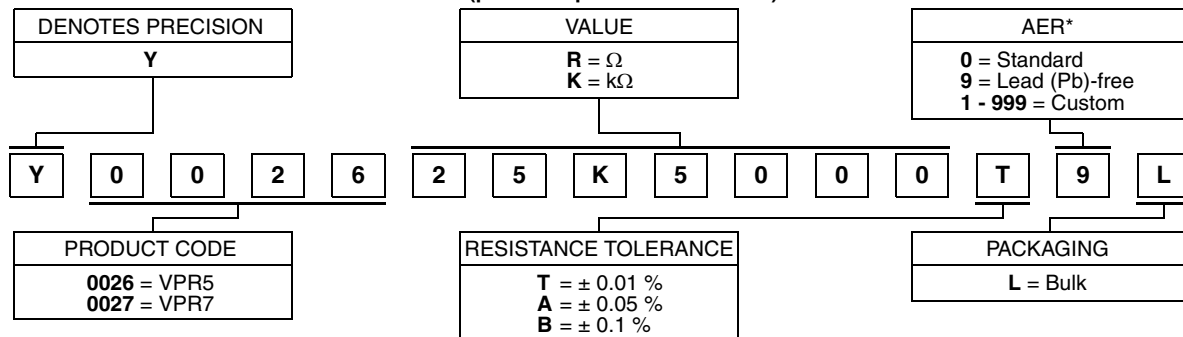
A		B		C		D		E		F (min)	
in	mm	in	mm	in	mm	in	mm	in	mm	in	mm
0.625	15.88	0.450	11.43	0.312	7.93	0.400	10.16	0.350	8.89	1.500	38.10
1.030	26.16	0.450	11.43	0.312	7.93	0.788	20.02	0.350	8.89	1.375	34.90

**Notes**

- #4-40 F.H. Machine Screw (Not Included)
- Anodized Aluminum Housing
- #26 AWG, Teflon Coated, 4" min.
- #20 AWG, Solder Coated Copper

**TABLE 4 - GLOBAL PART NUMBER INFORMATION**

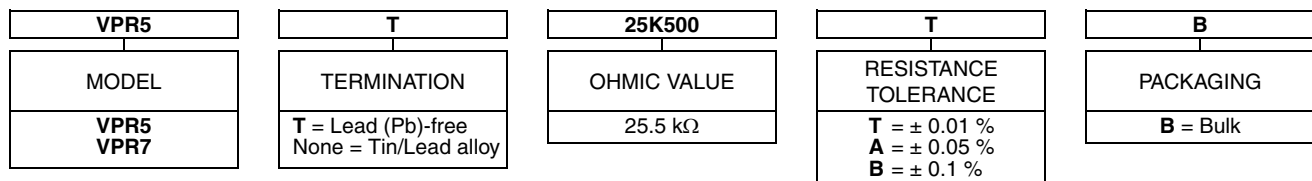
NEW GLOBAL PART NUMBER: Y002625K5000T9L (preferred part number format)



FOR EXAMPLE: ABOVE GLOBAL ORDER Y0026 25K5000 T 9 L:

TYPE: VPR5  
 VALUE: 25.5 kΩ  
 ABSOLUTE TOLERANCE: ± 0.01 %  
 TERMINATION: Lead (Pb)-free  
 PACKAGING: Bulk

HISTORICAL PART NUMBER: VPR5T 25K500 T B (will continue to be used)



**Note**

\* For non-standard requests, please contact Application Engineering.



## Disclaimer

ALL PRODUCTS, PRODUCT SPECIFICATIONS AND DATA ARE SUBJECT TO CHANGE WITHOUT NOTICE.

Vishay Precision Group, Inc., its affiliates, agents, and employees, and all persons acting on its or their behalf (collectively, "VPG"), disclaim any and all liability for any errors, inaccuracies or incompleteness contained herein or in any other disclosure relating to any product.

The product specifications do not expand or otherwise modify VPG's terms and conditions of purchase, including but not limited to, the warranty expressed therein.

VPG makes no warranty, representation or guarantee other than as set forth in the terms and conditions of purchase. **To the maximum extent permitted by applicable law, VPG disclaims (i) any and all liability arising out of the application or use of any product, (ii) any and all liability, including without limitation special, consequential or incidental damages, and (iii) any and all implied warranties, including warranties of fitness for particular purpose, non-infringement and merchantability.**

Information provided in datasheets and/or specifications may vary from actual results in different applications and performance may vary over time. Statements regarding the suitability of products for certain types of applications are based on VPG's knowledge of typical requirements that are often placed on VPG products. It is the customer's responsibility to validate that a particular product with the properties described in the product specification is suitable for use in a particular application. You should ensure you have the current version of the relevant information by contacting VPG prior to performing installation or use of the product, such as on our website at [vpgsensors.com](http://vpgsensors.com).

No license, express, implied, or otherwise, to any intellectual property rights is granted by this document, or by any conduct of VPG.

The products shown herein are not designed for use in life-saving or life-sustaining applications unless otherwise expressly indicated. Customers using or selling VPG products not expressly indicated for use in such applications do so entirely at their own risk and agree to fully indemnify VPG for any damages arising or resulting from such use or sale. Please contact authorized VPG personnel to obtain written terms and conditions regarding products designed for such applications.

Product names and markings noted herein may be trademarks of their respective owners.

Copyright Vishay Precision Group, Inc., 2014. All rights reserved.