



Chipsmall Limited consists of a professional team with an average of over 10 year of expertise in the distribution of electronic components. Based in Hongkong, we have already established firm and mutual-benefit business relationships with customers from,Europe,America and south Asia,supplying obsolete and hard-to-find components to meet their specific needs.

With the principle of "Quality Parts,Customers Priority,Honest Operation,and Considerate Service",our business mainly focus on the distribution of electronic components. Line cards we deal with include Microchip,ALPS,ROHM,Xilinx,Pulse,ON,Everlight and Freescale. Main products comprise IC,Modules,Potentiometer,IC Socket,Relay,Connector.Our parts cover such applications as commercial,industrial, and automotives areas.

We are looking forward to setting up business relationship with you and hope to provide you with the best service and solution. Let us make a better world for our industry!



Contact us

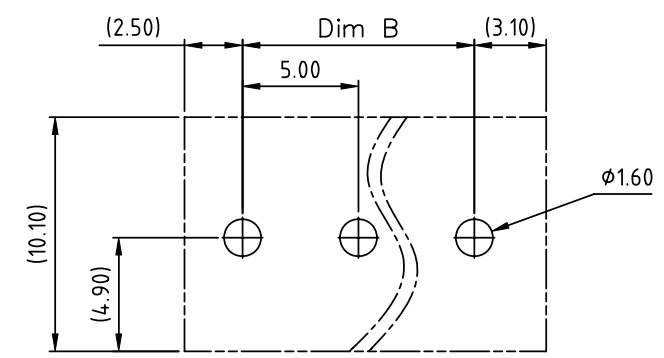
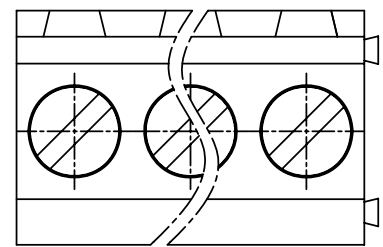
Tel: +86-755-8981 8866 Fax: +86-755-8427 6832

Email & Skype: info@chipsmall.com Web: www.chipsmall.com

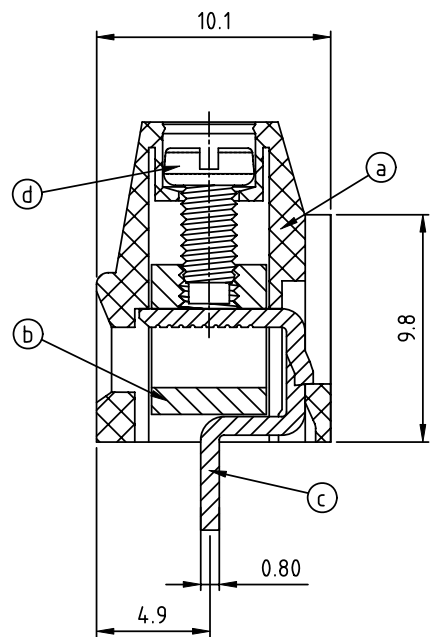
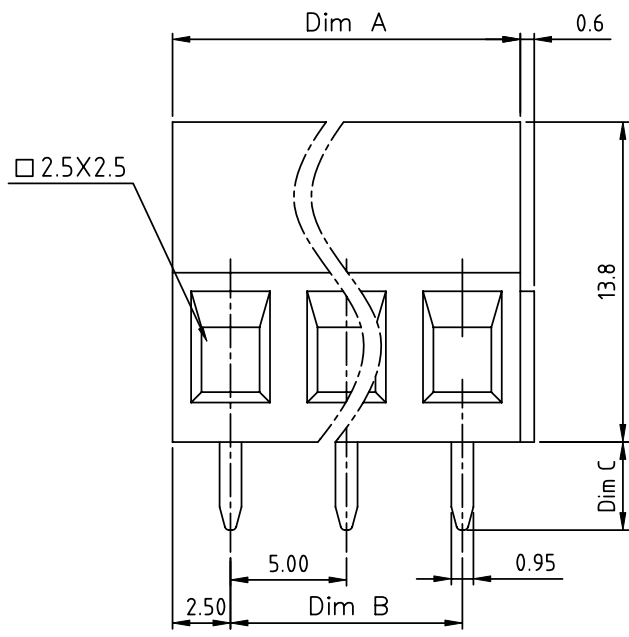
Address: A1208, Overseas Decoration Building, #122 Zhenhua RD., Futian, Shenzhen, China



PRODUCT NUMBER	PITCH
YDxx01xx00J0G	5.00 mm



RECOMMENDED P.C.B LAYOUT
TOP VIEW



Material:

- Item (a) Terminal housing : Thermal plastic resin (UL 94V-0)
- Item (b) Clamp : Copper alloy ,Ni plated
- Item (c) Solder pin : Copper alloy ,Tin plated
- Item (d) Terminal screw: Steel Zinc plating"-slot type

Electrical UL

- Voltage rating: 300VAC
- Current rating: 10A
- Wire range:
- Solid wire(AWG): 12-24
- Stranded wire(AWG): 12-24
- Torque(Lb-In): 3.5
- Screw: M2.5
- Wire strip length: 6-7mm
- Withstanding Voltage: 1.6KV
- Operating temperature: -40°C to +115°C
- Soldering temperature: 260°C±5°C/5 Sec
- Safety Approval:

PART NO.: YD xx 0 1 x x 00J0 G

N=NUMBER OF POLES

Dim A=Nx5.00
Dim B=(N-1)x5.00

POLES	Dim L & B Tolerance
2P-6P	±0.15
7P-12P	±0.20
13P-18P	±0.30
19P-24P	±0.40

End stackable	No. of poles	Color	Dim C	RoHS compliant
0	2	Black (RAL9005)	0	(lead<4%)
02	2 poles	Red (RAL3001/D)	1	In copper Alloy
03	3 poles	Orange(RAL2011/P)	3.8mm	
...	...	4 Yellow(RAL1018/A)	3.5mm	
24	24 poles	5 Green(RAL6018/T)		
		6 Blue (RAL5015/A)		
		8 Grey(RAL7035/D)		
		9 White(RAL1102)		
		C Green(RAL6018/U)		

mat'l. code				surface	tolerance	projection	product family
				ASME Y14.5	ASME Y14.5		TERMINAL BLOCK
itr				tolerances unless otherwise specified			title
ecn no				angles			TERMINAL BLOCK
dr				X.±0.5			RISING CLAMP, 180D WIRE INLET, END STACKABLE
date				X.X±0.3			scale
				X*±1"			MM
				dr			scale
				ENGR			FCI
				EVIN ZHONG 040914			dwg no
				chr			sheet 1 of 1
				HANKE FENG 040914			size
				appd			A4
				SHI JUN 040914			YDxx01xx00J0G
							type
							CUSTOMER Drawing
sheet index	revision	A					
	sheet	1					