



Chipsmall Limited consists of a professional team with an average of over 10 year of expertise in the distribution of electronic components. Based in Hongkong, we have already established firm and mutual-benefit business relationships with customers from,Europe,America and south Asia,supplying obsolete and hard-to-find components to meet their specific needs.

With the principle of "Quality Parts,Customers Priority,Honest Operation,and Considerate Service",our business mainly focus on the distribution of electronic components. Line cards we deal with include Microchip,ALPS,ROHM,Xilinx,Pulse,ON,Everlight and Freescale. Main products comprise IC,Modules,Potentiometer,IC Socket,Relay,Connector.Our parts cover such applications as commercial,industrial, and automotives areas.

We are looking forward to setting up business relationship with you and hope to provide you with the best service and solution. Let us make a better world for our industry!



Contact us

Tel: +86-755-8981 8866 Fax: +86-755-8427 6832

Email & Skype: info@chipsmall.com Web: www.chipsmall.com

Address: A1208, Overseas Decoration Building, #122 Zhenhua RD., Futian, Shenzhen, China



DO NOT SCALE FROM THIS PRINT

TABLE 1 - SOLDERBALL PARTS ONLY				
PART (POSITION)	20	30	40	50
MAX COPLANARITY	.0040	.0080	.0080	.0100
MAX T/B BOW *	.0020	.0020	.0020	.0025

* AFTER SOLDERBALL ATTACHMENT

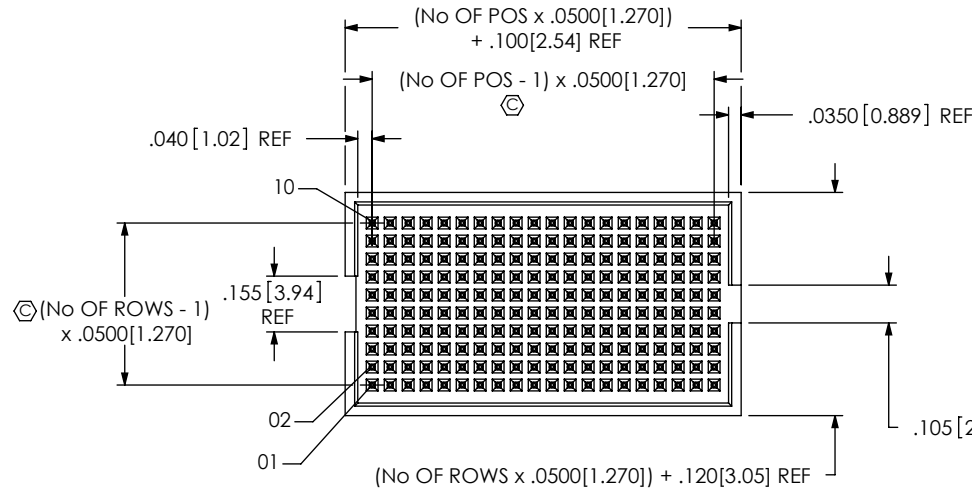
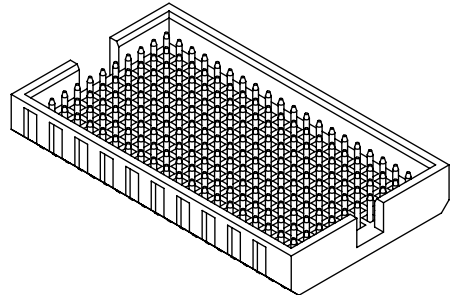
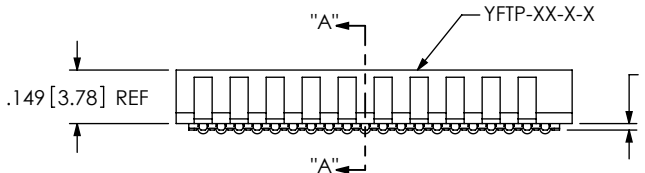


FIG 1
YFT-20-05-X-10-SB SHOWN



YFT-XX-05-X-XX-SB-XX

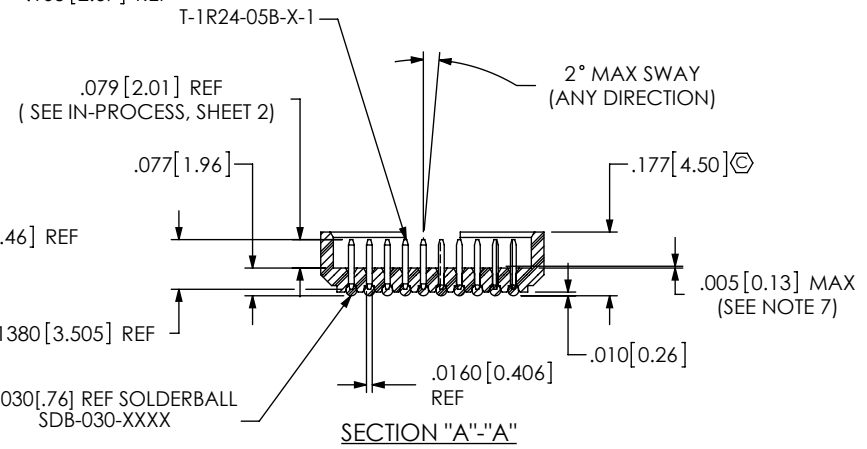
OPTION
-K: KAPTON PAD OPTION (SEE TABLE 3 & FIG. 4, SHEET 2)
-TR: TAPE & REEL

OPTION
-SB: SOLDER BALLS: 37% PB/63% SN (USE SDB-030-6337)

LEAD STYLE

PLATING SPECIFICATION
-G: GOLD (USE T-1R24-05B-G-1)
-H: HEAVY GOLD (USE T-1R24-05B-H-1)
-E: EXTRA HEAVY GOLD (USE T-1R24-05B-E-1)

ROW SPECIFICATION
-10: TEN ROWS (USE YFTP-XX-X)
-08: EIGHT ROWS (USE YFTP-XX-X)
-05: FIVE ROWS (USE YFTP-XX-X)
-06: SIX ROWS (USE YFTP-XX-X) (AVAILABLE IN 20 POS. ONLY)
-03: THREE ROWS (USE YFTP-XX-X) (AVAILABLE IN 20 POS. ONLY)



- NOTES:
- NOTE DELETED.
 - REPRESENTS A CRITICAL DIMENSION.
 - BURR ALLOWANCE: .0015 MAX.
 - NOTE DELETED.
 - MINIMUM PUSHOUT FORCE: .5 LB.
 - NOTE DELETED.
 - MAXIMUM ALLOWABLE DISTANCE FOR SOLDER WICKING UP TERMINAL.
 - .0040 MAX VARIATION BETWEEN SOLDERBALLS.
 - REFER TO VISUAL INSPECTION BOARD FOR SOLDERBALL APPEARANCE CHECKS.
 - THE DISTANCE FROM THE CENTER OF ANY SOLDERBALL TO THE CENTER OF ANY ADJACENT INNER PEG SHALL BE .025 ± .005.
 - NOTE DELETED.
 - TRAY PACKAGING CAN BE SUBSTITUTED FOR TUBES.

UNLESS OTHERWISE SPECIFIED, DIMENSIONS ARE IN INCHES.
TOLERANCES ARE:
DECIMALS ANGLES
.XX: ± .01 ± 2°
.XXX: ± .005
.XXXX: ± .0020

PROPRIETARY NOTE
THIS DOCUMENT CONTAINS CONFIDENTIAL AND PROPRIETARY INFORMATION AND ALL DESIGN, MANUFACTURING, REPRODUCTION, USE, PATENT RIGHTS AND SALES RIGHTS ARE EXPRESSLY RESERVED BY SAMTEC, INC. THIS DOCUMENT SHALL NOT BE DISCLOSED, IN WHOLE OR PART, TO ANY UNAUTHORIZED PERSON OR ENTITY NOR REPRODUCED, TRANSFERRED OR INCORPORATED IN ANY OTHER PROJECT IN ANY MANNER WITHOUT THE EXPRESS WRITTEN CONSENT OF SAMTEC, INC.

MATERIAL: DO NOT SCALE DRAWING SHEET SCALE: 1.875:1
INSULATOR: LCP, COLOR: BLACK
TERMINAL: BRASS AND ALLOY 260

F:\DWG\MISC\MKTG\YFT-XX-05-X-XX-SB-XX-MKT.SLDRW

520 PARK EAST BLVD, NEW ALBANY, IN 47150
PHONE: 812-944-6733 FAX: 812-948-5047
e-Mail: info@SAMTEC.com code: 55322

DESCRIPTION:
Flex, Y, Z, .050 CENTERLINE TERMINAL ASSEMBLY

DWG. NO.
YFT-XX-05-X-XX-SB-XX

BY: ERIC M 5/27/99 SHEET 1 OF 2

IN-PROCESS WITHOUT SOLDERBALLS

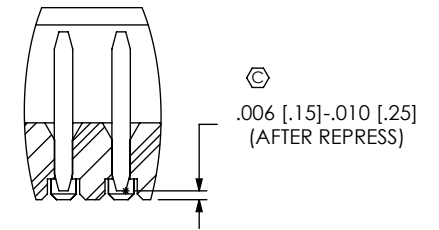


TABLE 2

PART (POSITION)	20	30	40	50
MAX T/B BOW	.0015	.0020	.0020	.0020

PACKAGING TUBE
(SEE NOTE 12)

TABLE 4

ROW OPTION	TUBE	PLUG
-03	PT-1-24-01-59	TP-24
-05	PT-1-24-01-61	TP-03
-06	PT-1-24-14-29	TP-07
-08	PT-1-24-02-09	TP-07
-10	PT-1-24-16-29	TP-07

[PLACE PARTS IN RESPECTIVE TUBES SIMILAR TO SHOWN BELOW]

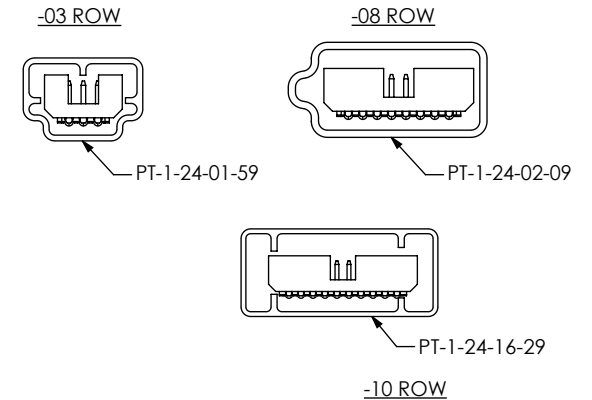
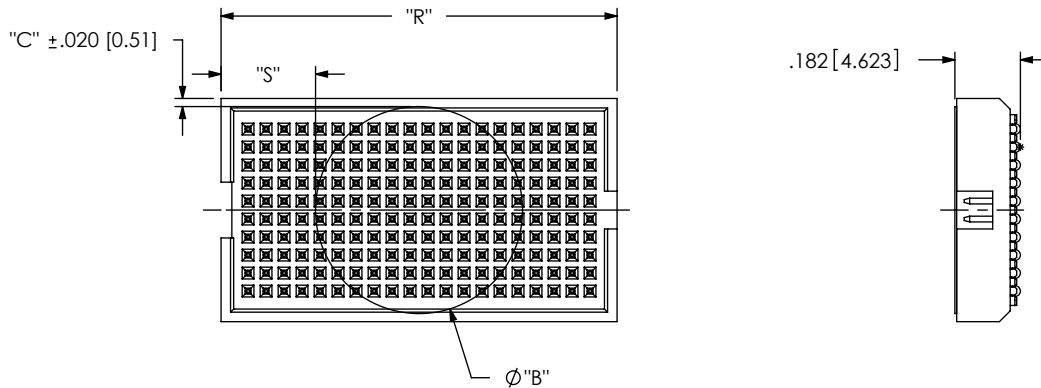


FIG 2

-K: KAPTON PAD OPTION
(YFT-120-05-X-08-K SHOWN)



$R = (\text{No OF POS} \times .0500 [1.270]) + .100 [2.54]$
 $S = ("R" - "B" / 2) \pm .020 [.51]$

TABLE 3

ROW OPTION	"B"	"C"	KAPTON
-05	.404 [10.25]	.017 [.43]	K-DOT-.404-.500-.005
-08	.575 [14.60]	.028 [.71]	K-850-650
-10	.650 [16.50]	.015 [.38]	K-1000-800
-06	.460 [11.68]	.020 [.51]	K-850-650
-03	.325 [8.26]	.028 [.71]	K-DOT-.325-.450-.005

PROPRIETARY NOTE

THIS DOCUMENT CONTAINS CONFIDENTIAL AND PROPRIETARY INFORMATION AND ALL DESIGN, MANUFACTURING, REPRODUCTION, USE, PATENT RIGHTS AND SALES RIGHTS ARE EXPRESSLY RESERVED BY SAMTEC, INC. THIS DOCUMENT SHALL NOT BE DISCLOSED, IN WHOLE OR PART, TO ANY UNAUTHORIZED PERSON OR ENTITY NOR REPRODUCED, TRANSFERRED OR INCORPORATED IN ANY OTHER PROJECT IN ANY MANNER WITHOUT THE EXPRESS WRITTEN CONSENT OF SAMTEC, INC.

DO NOT SCALE DRAWING

SHEET SCALE: 1.875:1



520 PARK EAST BLVD, NEW ALBANY, IN 47150
 PHONE: 812-944-6733 FAX: 812-948-5047
 e-Mail: info@SAMTEC.com code: 55322

DESCRIPTION:
 FleX, Y, Z, .050 CENTERLINE TERMINAL ASSEMBLY

DWG. NO.
YFT-XX-05-X-XX-SB-XX

BY: ERIC M 5/27/99 SHEET 2 OF 2