



Chipsmall Limited consists of a professional team with an average of over 10 year of expertise in the distribution of electronic components. Based in Hongkong, we have already established firm and mutual-benefit business relationships with customers from,Europe,America and south Asia,supplying obsolete and hard-to-find components to meet their specific needs.

With the principle of “Quality Parts,Customers Priority,Honest Operation,and Considerate Service”,our business mainly focus on the distribution of electronic components. Line cards we deal with include Microchip,ALPS,ROHM,Xilinx,Pulse,ON,Everlight and Freescale. Main products comprise IC,Modules,Potentiometer,IC Socket,Relay,Connector.Our parts cover such applications as commercial,industrial, and automotives areas.

We are looking forward to setting up business relationship with you and hope to provide you with the best service and solution. Let us make a better world for our industry!



Contact us

Tel: +86-755-8981 8866 Fax: +86-755-8427 6832

Email & Skype: info@chipsmall.com Web: www.chipsmall.com

Address: A1208, Overseas Decoration Building, #122 Zhenhua RD., Futian, Shenzhen, China



YHLZ TERMINAL BLOCK MODULES

14	REVISED AND REDRAWN ON CAD. DWG WAS SD75001. SEE REV. REF. PRINT. (ECN3556)	FDH	JKD	06-10-96
REV	REVISION DESCRIPTION	BY	CHKD	DATE

SUPERSEDES: SD75001-13

YHLZ TERMINAL BLOCK MODULE ASSEMBLY

CAT NO. YHLZ-22_ & -44_ (SEE TABLE)

DWG RELEASED TO CENTRAL FILE 06-10-96

CAGE NO. 09922 | ECN 3556 | PC 862

© FRAMATOME CONNECTORS USA INC. 1996

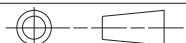


SOURIAU
Connection Technology

APPROVAL	DRWN	THC	01-04-73
	CHKD	TJS	05-21-73
	DSGN	JB	05-23-73
	MKT	FG	05-31-96
	QC	ZR	06-05-96
DRAWING SCALE NONE			
DRAWING NO		REV	
SA75001		14	
SHEET 1 OF 6			

LINEAR MEASURE: INCH mm INCH [mm]

THIRD ANGLE PROJECTION



- TOLERANCES -
UNLESS OTHERWISE SPECIFIED

NO OF DECIMAL PLACES IN INCHES	INCH [mm]
ONE PLACE	±.1 [±3]
TWO PLACES	±.02 [±0.5]
THREE PLACES	±.005 [±0.13]

ANGLES ±1°

NOTES: UNLESS OTHERWISE SPECIFIED.

1. INTERPRET THIS DRAWING IN ACCORDANCE WITH ANSI Y14.5M-1982.
2. TERMINAL BLOCKS ACCOMODATES FCI 'YHMM' TYPE PIN CONTACTS.
SEE DRAWING SE66466. USE INSERTION/REMOVAL TOOL 'J1276-_'.
SEE DRAWINGS SC58867, SC65988, SC66580, AND SC69488.
3. TERMINAL BLOCK CAN BE INSTALLED IN ANY POSITION OF AMM____T____AND
AMY____T____ TRACK BY ROTATING CLOCKWISE. SEE DRAWINGS SE66784, BRSE66604,
SD83863, AND SD83864.

4. OPTIONAL: TERMINAL BLOCK MODULE MAY BE HEAT STAKED ON INDICATED SURFACES.

5. DIMENSION INCLUDES WARPAGE IN AREA SHOWN.

MATERIAL:

BODY - ZYTEL 151L OR EQUIVALENT, SELF EXTINGUISHING PER ASTM D635-56T
YHLZ-22 COLOR GRAY
YHLZ-44 COLOR BLACK

MODULE SOCKET ASS'Y - BERYLLIUM COPPER ALLOY

FINISH:

MODULE SOCKET ASS'Y - .000030 [0,00076] MIN. GOLD OVER .000100 [0,00254] MIN.
COPPER.

WEIGHT: .14 OZ. [4.0 GRAMS] MAX.

CATALOG NO. TABLE		
FCI CAT. NO.	FIG. NO.	CUST. PART NO.
YHLZ-44	1	_____
YHLZ-44 (B)		BACM15C1B
YHLZ-22	2	_____
YHLZ-22 (B)		BACM15C1A

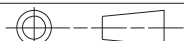
---	ALL REV. RECORDED ON SHT 1	---	---	---
REV	REVISION DESCRIPTION	BY	CHKD	DATE

YHLZ TERMINAL BLOCK MODULE ASSEMBLY

CAT NO. YHLZ-22_ & -44_ (SEE TABLE)

LINEAR MEASURE: INCH mm INCH [mm]

THIRD ANGLE PROJECTION



- TOLERANCES -
UNLESS OTHERWISE SPECIFIED

NO OF DECIMAL PLACES IN INCHES	INCH [mm]
ONE PLACE	±.1 [±3]
TWO PLACES	±.02 [±0,5]
THREE PLACES	±.005 [±0,13]
ANGLES ±1°	

DWG RELEASED TO CENTRAL FILE 06-10-96

CAGE NO. 09922 ECN 3556 PC 862

© FRAMATOME CONNECTORS USA INC. 1996



APPROVAL	DRWN	THC 01-04-73
	CHKD	TJS 05-21-73
	DSGN	JB 05-22-73
	MKT	FG 05-31-96
	QC	ZR 06-05-96
DRAWING SCALE: NONE		
DRAWING NO.		REV
SA75001		14
SHEET 2 OF 6		

PERFORMANCE CHARACTERISTICS

MECHANICAL:

CONTACT INSERTION FORCES: 9 LBS [40.03N] MAX.
 CONTACT SEPARATION FORCES: 1 LB [4.45N] MIN.
 CONTACT RETENTION: 25 LBS [111.20N] MIN.
 BUS RETENTION: 30 LBS [133.44N] MIN.

ELECTRICAL:

CONTACT RESISTANCE: SIZE 12-16: 40 MILLIVOLTS MAX AT 20.0 AMPS WITH
 16 AWG SILVER PLATED WIRE.
 LOW LEVEL CONTACT RESISTANCE: SIZE 12-16: .006 OHMS MAX WITH 16 AWG SILVER PLATED WIRE.
 DIELECTRIC WITHSTANDING VOLTAGE: 1500 VRMS
 (SEA LEVEL)
 DIELECTRIC WITHSTANDING VOLTAGE: 1000 VRMS
 (60,000 FT.)
 INSULATION RESISTANCE: 5000 MEGOHMS MIN.
 CASE INTEGRITY (WET DIELECTRIC): 1500 VRMS

ENVIRONMENTAL:

SALT SPRAY: 48 HOURS IN ACCORDANCE WITH MIL-STD-202, METHOD 101, TEST CONDITION B.
 VIBRATION: IN ACCORDANCE WITH MIL-STD-202, METHOD 204, TEST CONDITION D, LETTER E.
 THERMAL SHOCK: IN ACCORDANCE WITH MIL-STD-202, METHOD 107, TEST CONDITION B.
 EXCEPT TEMPERATURE EXTREMES ARE -55°C TO 65°C [-67°F TO 149°F]
 HUMIDITY: IN ACCORDANCE WITH MIL-STD-202, METHOD 106, (OMIT STEP 7B).
 TENSILE PULL: 10 LBS [44.48N] MIN. AT RIGHT ANGLES TO LONGITUDINAL AXIS OF CONTACT.

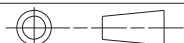
---	ALL REV. RECORDED ON SHT 1	---	---	---
REV	REVISION DESCRIPTION	BY	CHKD	DATE

YHLZ TERMINAL BLOCK MODULE ASSEMBLY

CAT NO. YHLZ-22_ & -44_ (SEE TABLE)

LINEAR MEASURE: INCH mm INCH [mm]

THIRD ANGLE PROJECTION



- TOLERANCES -
 UNLESS OTHERWISE SPECIFIED

NO OF DECIMAL PLACES IN INCHES	INCH [mm]
--------------------------------	-----------

ONE PLACE	±.1 [±.3]
-----------	-----------

TWO PLACES	±.02 [±0.5]
------------	-------------

THREE PLACES	±.005 [±0.13]
--------------	---------------

ANGLES ±1°

DWG RELEASED TO CENTRAL FILE 06-10-96
 CAGE NO. 09922 ECN 3556 PC 862
 © FRAMATOME CONNECTORS USA INC. 1996



APPROVAL	DRWN	THC 01-04-73
	CHKD	TJS 05-21-73
	DSGN	JB 05-22-73
	MKT	FG 05-31-96
	QC	ZR 06-05-96
DRAWING SCALE: NONE		
DRAWING NO.		REV
SA75001		14
SHEET 3 OF 6		

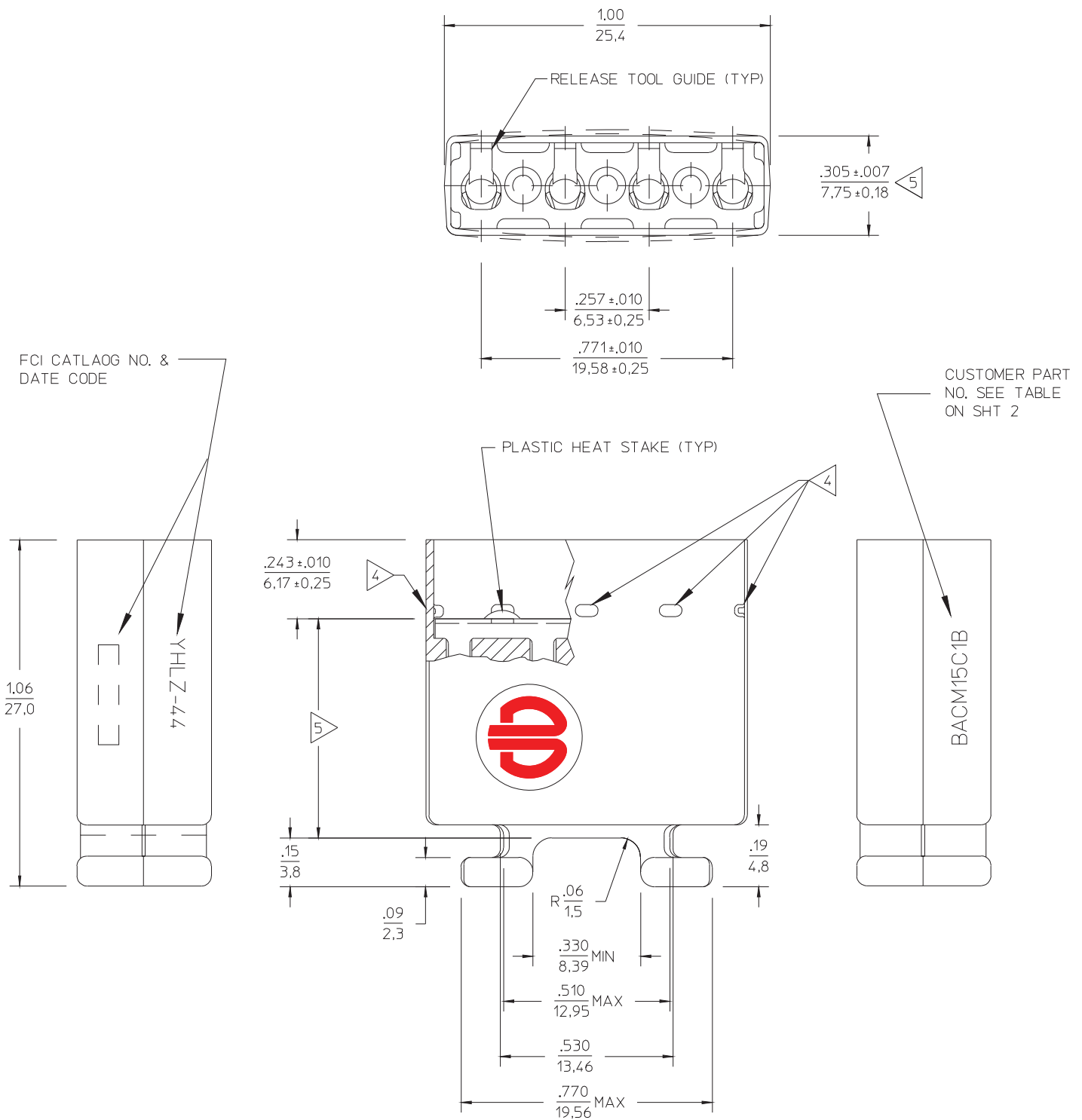


FIGURE 1

---	ALL REV. RECORDED ON SHT 1	---	---	---
REV	REVISION DESCRIPTION	BY	CHKD	DATE

YHLZ TERMINAL BLOCK MODULE ASSEMBLY

CAT NO. YHLZ-44_ (SEE TABLE)

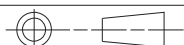
DWG RELEASED TO CENTRAL FILE 06-10-96

CAGE NO. 09922 | ECN 3556 | PC 862

© FRAMATOME CONNECTORS USA INC. 1996

LINEAR MEASURE: INCH mm INCH [mm]

THIRD ANGLE PROJECTION



- TOLERANCES -
UNLESS OTHERWISE SPECIFIED

NO OF DECIMAL PLACES IN INCHES	INCH [mm]
--------------------------------	-----------

ONE PLACE	±.1 [±3]
-----------	----------

TWO PLACES	±.02 [±0.5]
------------	-------------

THREE PLACES	±.005 [±0.13]
--------------	---------------

ANGLES ±1°

APPROVAL	DRWN	THC 01-04-73
	CHKD	TJS 05-21-73
	DSGN	JB 05-22-73
	MKT	FG 05-31-96
	QC	ZR 06-05-96

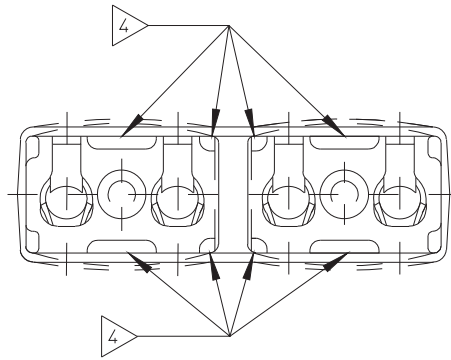
DRAWING SCALE 2 : 1

DRAWING NO	REV
------------	-----

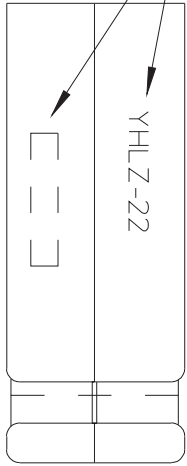
SA75001	14
---------	----

SHEET 4 OF 6

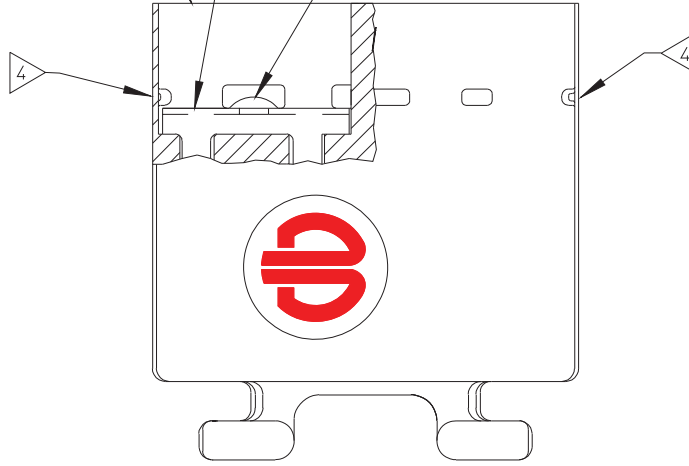




FCI CATALOG NO. & DATE CODE



BODY
MODULE SOCKET ASS'Y
PLASTIC HEAT STAKE (TYP)



CUSTOMER PART NO. SEE TABLE ON SHT 2

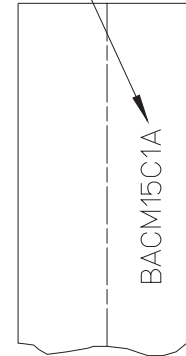


FIGURE 2

SEE FIG. 1 FOR ALL DIMENSIONS

---	ALL REV. RECORDED ON SHT 1	---	---	---
REV	REVISION DESCRIPTION	BY	CHKD	DATE

YHLZ TERMINAL BLOCK MODULE ASSEMBLY

CAT NO. YHLZ-22_ (SEE TABLE)

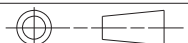
DWG RELEASED TO CENTRAL FILE 06-10-96

CAGE NO. 09922 | ECN 3556 | PC 862

© FRAMATOME CONNECTORS USA INC. 1996

LINEAR MEASURE: INCH mm INCH [mm]

THIRD ANGLE PROJECTION



- TOLERANCES -
UNLESS OTHERWISE SPECIFIED

NO OF DECIMAL PLACES IN INCHES	INCH [mm]
ONE PLACE	±.1 [±3]
TWO PLACES	±.02 [±0.5]
THREE PLACES	±.005 [±0.13]

ANGLES ±1°

APPROVAL	DRWN	THC	01-04-73
	CHKD	TJS	05-21-73
	DSGN	JB	05-22-73
	MKT	FG	05-31-96
	QC	ZR	06-05-96

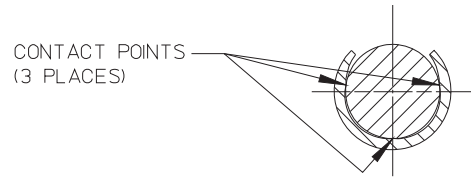
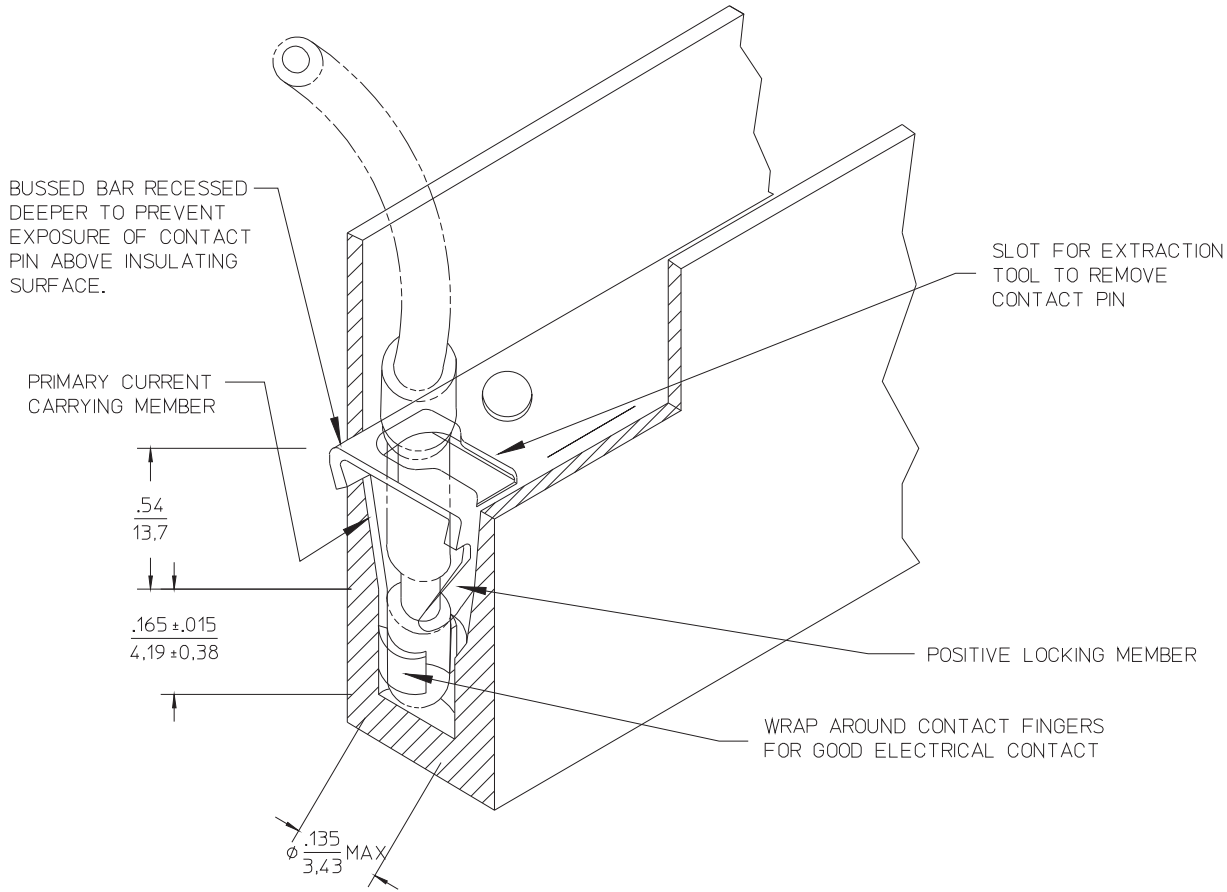
DRAWING SCALE 2 : 1

DRAWING NO | REV

SA75001 | 14

SHEET 5 OF 6





TYP SECTION - CONTACT & C- SPRING
SCALE 5:1

---	ALL REV. RECORDED ON SHT 1	---	---	---
REV	REVISION DESCRIPTION	BY	CHKD	DATE

YHLZ TERMINAL BLOCK MODULE ASSEMBLY

CAT NO. YHLZ-22_ & -44_ (SEE TABLE)

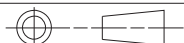
DWG RELEASED TO CENTRAL FILE 06-10-96

CAGE NO. 09922 | ECN 3556 | PC 862

© FRAMATOME CONNECTORS USA INC. 1996

LINEAR MEASURE: INCH mm INCH [mm]

THIRD ANGLE PROJECTION



- TOLERANCES -
UNLESS OTHERWISE SPECIFIED

NO OF DECIMAL PLACES IN INCHES	INCH [mm]
ONE PLACE	±.1 [±3]
TWO PLACES	±.02 [±0.5]
THREE PLACES	±.005 [±0.13]
ANGLES ±1°	



APPROVAL	DRWN	THC	01-04-73
	CHKD	TJS	05-21-93
	DSGN	JB	05-22-93
	MKT	FG	05-31-96
	QC	ZR	06-05-96

DRAWING SCALE: NONE

DRAWING NO. REV

SA75001 14