



Chipsmall Limited consists of a professional team with an average of over 10 year of expertise in the distribution of electronic components. Based in Hongkong, we have already established firm and mutual-benefit business relationships with customers from,Europe,America and south Asia,supplying obsolete and hard-to-find components to meet their specific needs.

With the principle of “Quality Parts,Customers Priority,Honest Operation,and Considerate Service”,our business mainly focus on the distribution of electronic components. Line cards we deal with include Microchip,ALPS,ROHM,Xilinx,Pulse,ON,Everlight and Freescale. Main products comprise IC,Modules,Potentiometer,IC Socket,Relay,Connector.Our parts cover such applications as commercial,industrial, and automotives areas.

We are looking forward to setting up business relationship with you and hope to provide you with the best service and solution. Let us make a better world for our industry!



Contact us

Tel: +86-755-8981 8866 Fax: +86-755-8427 6832

Email & Skype: info@chipsmall.com Web: www.chipsmall.com

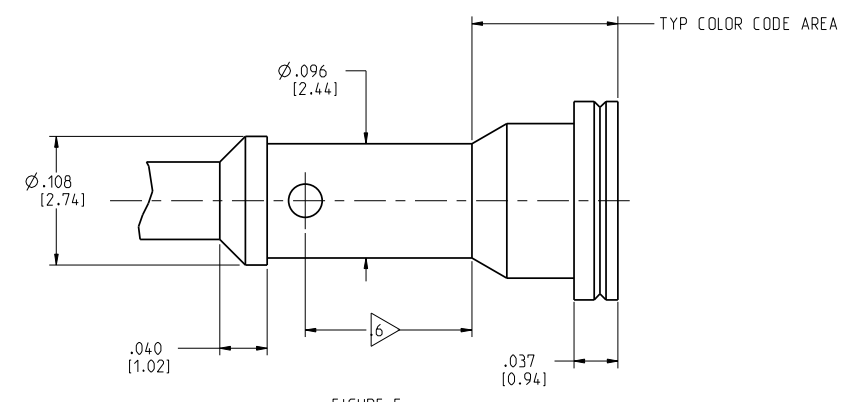
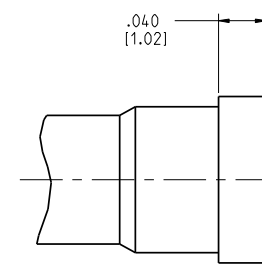
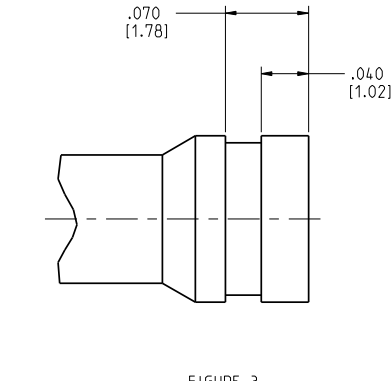
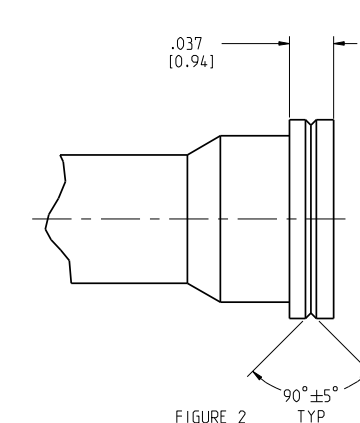
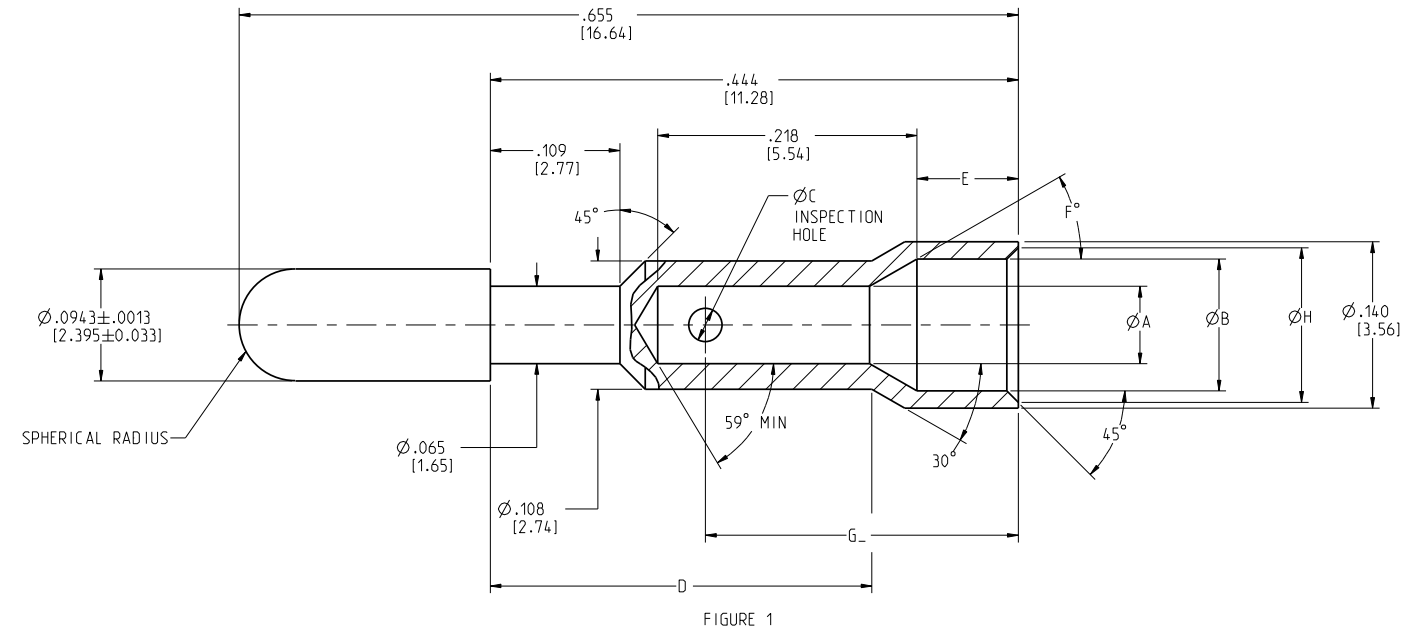
Address: A1208, Overseas Decoration Building, #122 Zhenhua RD., Futian, Shenzhen, China



CATALOG NO.	BOEING PART NO.	FIGURE	ØA	ØB	ØC	D	E	F°	G ₋	H	WIRE SIZE RANGE	INSULATION DIA. RANGE	COLOR CODE	FINISH	MATERIAL	TOOLING	MAX. W.T. (g)
YHMM16-1F50	BACC47DE1	1	.065 [1.65]	.111 [2.82]	.040 [1.02]	.330 [8.38]	.085 [2.16]	30	.263 [6.68]	.130 [3.30]	16-20	.080-.110 [2.03-2.79]	--	SILVER	BRASS	M10S HYTOOL S1 DIE SET SL-53 STOP BUSHING	.556
YHMM16-3F50	----	3	.065 [1.65]	.084 [2.13]						.102 [2.59]	16-20	.067-.083 [1.70-2.11]	BLUE				.601
YHMM16-4F50	BACC47DE5	3	.060 [1.52]	.084 [2.13]	.040 [1.02]	.330 [8.38]	.094 [2.39]	30	.249 [6.32]	.102 [2.59]	16-20	.063-.083 [1.60-2.11]	RED	SILVER	BRASS	M10S HYTOOL S1 DIE SET SL-53 STOP BUSHING	---
YHMM18-2F50	BACC47DE6	2	.054 [1.37]	.070 [1.78]						.080 [2.03]	18-20	.056-.069 [1.42-1.75]	BLACK				.700
YHMM20-1F50	----	2	.044 [1.12]	.066 [1.68]	.028 [0.71]	.321 [8.15]	.094 [2.39]	30	.249 [6.32]	.100 [2.54]	24	.032-.045 [0.81-1.14]	GREEN	SILVER	BRASS	M10S HYTOOL S1 DIE SET SL-53 STOP BUSHING	---
YHMM24-1F50	BACC47DE8	5	.029 [0.74]	.046 [1.17]						.024 [0.61]	.102 [2.59]	16-20	.063-.083 [1.60-2.11]				BLUE
YHMM16-5DB8	----	3	.060 [1.52]	.084 [2.13]	.028 [0.71]	.330 [8.38]	.085 [2.16]	45	.263 [6.68]	.108 [2.74]	20-22	.047-.065 [1.19-1.65]	BROWN	GOLD OVER COPPER	M10S HYTOOL S1 DIE SET SL-53 STOP BUSHING	.686	
YHMM20-2DB8	BACC47DE7	2	.044 [1.12]	.066 [1.68]						.080 [2.03]	22-24	.041-.065 [1.04-1.65]	GREEN			.748	
YHMM22-1DB8	BACC47DE3	4	.035 [0.89]	.087 [2.21]	.040 [1.02]	.330 [8.38]	.085 [2.16]	30	.249 [6.32]	.102 [2.59]	16-20	.063-.083 [1.60-2.11]	BLUE	GOLD OVER COPPER	M10S HYTOOL S1 DIE SET SL-53 STOP BUSHING	.587	
YHMM22-2DB8	BACC47DE4	2	.036 [0.91]	.066 [1.68]						.130 [3.30]	16-20	.080-.110 [2.03-2.79]	BROWN			.627	
YHMM16-6D28	BACC47DE1A	1	.065 [1.65]	.111 [2.82]	.040 [1.02]	.330 [8.38]	.085 [2.16]	30	.249 [6.32]	.108 [2.74]	22-24	.070-.080 [1.78-2.03]	---	GOLD OVER NICKEL	COPPER	M10S HYTOOL S1 DIE SET SL-53 STOP BUSHING	.659
YHMM16-7D28	BACC47DE5A	3	.060 [1.52]	.084 [2.13]						.102 [2.59]	16-20	.063-.083 [1.60-2.11]	BLUE				.693
YHMM18-3D28	BACC47DE6A	2	.054 [1.37]	.070 [1.78]	.028 [0.71]	.321 [8.15]	.094 [2.39]	45	.263 [6.68]	.080 [2.03]	20-22	.047-.065 [1.19-1.65]	RED	GOLD OVER NICKEL	BRASS	M10S HYTOOL S1 DIE SET SL-53 STOP BUSHING	.686
YHMM20-3D28	BACC47DE7A	2	.044 [1.12]	.066 [1.68]						.080 [2.03]	22-24	.070-.080 [1.78-2.03]	---				.712
YHMM22-4D28	BACC47DE3A	4	.035 [0.89]	.087 [2.21]	.028 [0.71]	.321 [8.15]	.094 [2.39]	45	.263 [6.68]	.080 [2.03]	22-24	.041-.065 [1.04-1.65]	GREEN	GOLD OVER NICKEL	COPPER	M10S HYTOOL S1 DIE SET SL-53 STOP BUSHING	.698
YHMM22-5D28	BACC47DE4A	2	.036 [0.91]	.066 [1.68]						.100 [2.54]	24	.032-.045 [0.81-1.14]	VIOLET				
YHMM24-3D28	BACC47DE8A	5	.029 [0.74]	.046 [1.17]	.024 [0.61]												

- NOTES: UNLESS OTHERWISE SPECIFIED
- MATERIAL:
 - LEADED BRASS PER ASTM B 453.
 - LEADED COPPER C18700 PER ASTM B 301.
 - FINISH:
 - SILVER PLATE PER QQ-S-365, EXCEPT THICKNESS SHALL BE 200 µ-INCH (5.08 MICRONS) MIN.
 - 30 µ-IN (0.76 MICRONS) MIN GOLD OVER 100 µ-IN (2.54 MICRONS) MIN COPPER.
 - 30 µ-IN (0.76 MICRONS) MIN GOLD OVER 50-200 µ-IN (1.27-5.08 MICRONS) NICKEL PER QQ-N-290 OVER COPPER FINISH.
 - CONTACT CAN ACCOMMODATE CABLES PER THE FOLLOWING SPECS. MIL-W-5086 & MIL-W-81044.
 - TO ORDER CONTACTS ON AN EXPENDABLE CARRY STRIP FOR USE WITH THE SOURIAU YD-2 HYPRESS, ADD THE PREFIX 'M' TO THE SOURIAU CONTACT CATALOG NUMBER I.E., 'MYHMM16-1F50'
 - TO ORDER CONTACTS ON AN EXPENDABLE CARRY STRIP FOR USE WITH THE SOURIAU BANDOMATIC CRIMP TOOL ADD THE PREFIX 'C' TO THE SOURIAU CONTACT CATALOG NUMBER. I.E., 'CYHMM16-1F50'
 - COLOR CODING FOR YHMM22-5D28 (GREEN) AND YHMM16-D28 (BLUE) TO BE MARKED IN THIS AREA ONLY. (SEE FIG 5)

THIS DRAWING IS A CONTROLLED DOCUMENT FOR SOURIAU USA, INC. CONTACT THE DOCUMENT CONTROL CENTER FOR THE LATEST REVISION.



SUPERSEDES:
 SC 66075-1
 SC 58285-0
 SC 54533-12
 SD 66466-24

REFERENCE:
 WSD60451
 WSD68707
 WSD69533
 DS131

AD	REVISED PER ECN10186	GRB	FLR
27	IN TABLE FOR CAT. NO YHMM22-1B8 COLOR CODE 'BROWN' WAS NONE TO NOTE 7 ADDED AND YHMM16-7D28 (BLUE, FLAGGED NOTE 7 TO CAT. NO. YHMM16-7D28 (ECN3387))	1-19-07	1-19-07
26	ADDED NOTE 7 & DIM FLAG 7 TO FIG 5 (ECN3387)	DET	FDH
25	REVISED AND REDRAWN PER ECN 15029)	9-15-95	09-15-95
REV	ECN NUMBER	BY	CHKD
		DATE	DATE

TERMINAL BLOCK MODULE CONTACT

CAT NO. **YHMM - - - (SEE TABLE)**

CAGE NO: 09922 SIZE: C

CUSTOMER

INTERPRET THIS DRAWING IN ACCORDANCE WITH ASME Y14.5M - 1994.

APPROVAL

DRAWN: GRB	01-19-07
CHKD: FLR	01-19-07
DSGN: AER	08-21-68
MFG: XXX	01-19-07
QC: BDB	01-19-07
DRAWING SCALE: 10:1	
DRAWING NO. SE66466	REV AD

www.souriau.com

1 OF 1

THE INFORMATION CONTAINED IN THIS DRAWING IS CONFIDENTIAL AND MAY NOT BE DISCLOSED WITHOUT WRITTEN CONSENT FROM SOURIAU USA, INC.