



Chipsmall Limited consists of a professional team with an average of over 10 year of expertise in the distribution of electronic components. Based in Hongkong, we have already established firm and mutual-benefit business relationships with customers from,Europe,America and south Asia,supplying obsolete and hard-to-find components to meet their specific needs.

With the principle of “Quality Parts,Customers Priority,Honest Operation,and Considerate Service”,our business mainly focus on the distribution of electronic components. Line cards we deal with include Microchip,ALPS,ROHM,Xilinx,Pulse,ON,Everlight and Freescale. Main products comprise IC,Modules,Potentiometer,IC Socket,Relay,Connector.Our parts cover such applications as commercial,industrial, and automotives areas.

We are looking forward to setting up business relationship with you and hope to provide you with the best service and solution. Let us make a better world for our industry!



Contact us

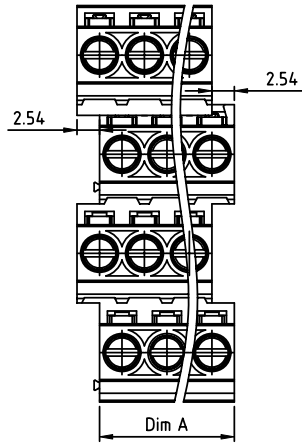
Tel: +86-755-8981 8866 Fax: +86-755-8427 6832

Email & Skype: info@chipsmall.com Web: www.chipsmall.com

Address: A1208, Overseas Decoration Building, #122 Zhenhua RD., Futian, Shenzhen, China



PRODUCT NUMBER	PITCH
Y1xx21x100J0G	5.08 mm



DIMENSION

Dim A = $N/4 \times 5.08$
 Dim B = $(N/4 - 1) \times 5.08$

N = Number of poles

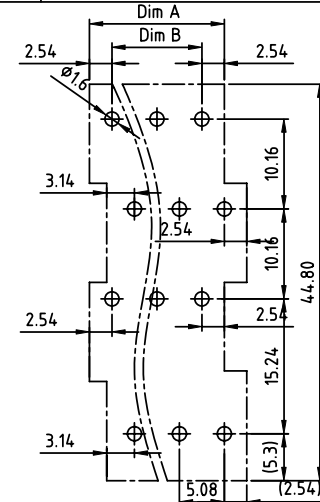
Poles	Tolerance
8poles~24poles	±0.15
28poles~48poles	±0.25
52poles~72poles	±0.30
76poles~96poles	±0.40

PART NO.: Y1xx21 x 1 00J0 G

End stackable
 No. of poles 0
 08 4x2 poles
 12 4x3 poles
 ...
 96 4x24 poles

Color
 0 Black (RAL9005)
 2 Red (RAL3001/D)
 3 Orange (RAL2011/P)
 4 Yellow (RAL1018/A)
 5 Green (RAL6018/T)
 6 Blue (RAL5015/A)
 8 Grey (RAL7035/D)
 9 White (RAL1102)
 C Green (RAL6018/U)

RoHS compliant
 (lead<4%)
 In copper Alloy



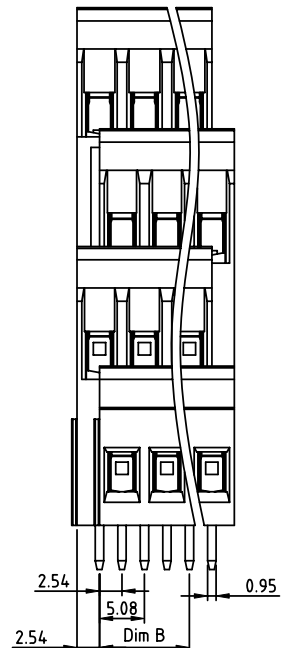
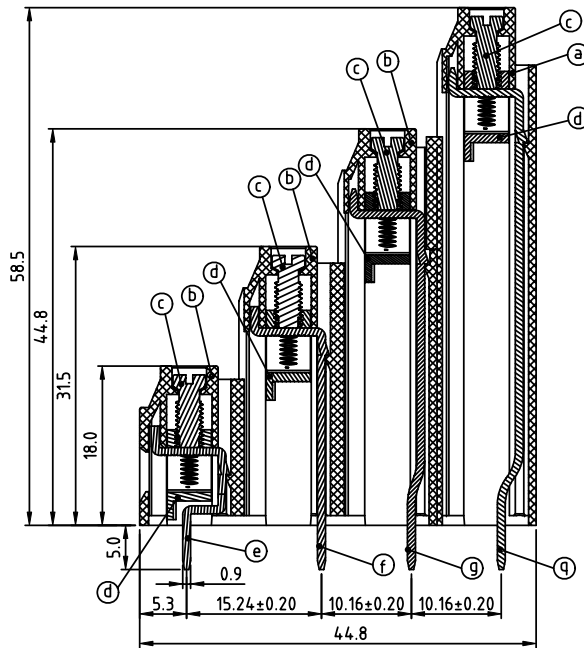
RECOMMENDED P.C.B LAYOUT
TOP VIEW

Material:

- Item ① Terminal housing : Thermoplastic (UL94V-0)(YG5.08)
- Item ② Terminal housing : Thermoplastic (UL94V-0)(YH5.08)
- Item ③ Terminal screw : Steel Zinc plating "-" slot type
- Item ④ Clamp : Brass , Ni plating
- Item ⑤ Solder pin1 : Brass, Tin plated
- Item ⑥ Solder pin2 : Brass, Tin plated
- Item ⑦ Solder pin3 : Brass, Tin plated
- Item ⑧ Solder pin4 : Brass, Tin plated

Electrical cULus

- Voltage rating: 300VAC
- Current rating: 15A
- Wire range:
- Solid wire (AWG): 12-28
- Stranded wire (AWG): 12-28
- Torque (Lb-In): 4.3
- Screw: M3
- Wire strip length: 6-7mm
- Withstanding Voltage: 1.6KV
- Operating temperature: -40°C to +115°C
- Soldering temperature: 260°C ± 5°C / 5 Sec



mat'l. code	surface ASME Y14.5	tolerance ASME Y14.5	projection	product family			
ltr	ecn	no	dr	date	tolerances unless otherwise specified	MM	TERMINAL BLOCK
					angles	scale	title
					X ± 0.5		TERMINAL BLOCK
					X.X ± 0.3		RISING CLAMP, 180D WIRE INLET, END STACKABLE
					X* ± 1"		sheet 1 of 1 size
					dr	EVIN ZHONG	041114
					enr	EVIN ZHONG	041114
					chr	HANKE FENG	041114
					appd	SHI JUN	041114
							Y1xx21x100J0G
							A4
							type
							CUSTOMER Drawing
sheet index	revision	A					
	sheet	1					