



Chipsmall Limited consists of a professional team with an average of over 10 year of expertise in the distribution of electronic components. Based in Hongkong, we have already established firm and mutual-benefit business relationships with customers from,Europe,America and south Asia,supplying obsolete and hard-to-find components to meet their specific needs.

With the principle of “Quality Parts,Customers Priority,Honest Operation,and Considerate Service”,our business mainly focus on the distribution of electronic components. Line cards we deal with include Microchip,ALPS,ROHM,Xilinx,Pulse,ON,Everlight and Freescale. Main products comprise IC,Modules,Potentiometer,IC Socket,Relay,Connector.Our parts cover such applications as commercial,industrial, and automotives areas.

We are looking forward to setting up business relationship with you and hope to provide you with the best service and solution. Let us make a better world for our industry!



Contact us

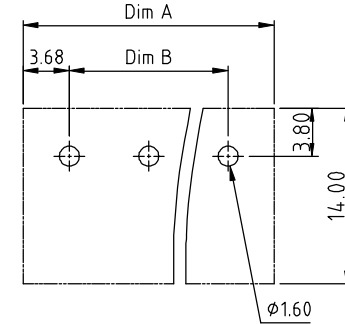
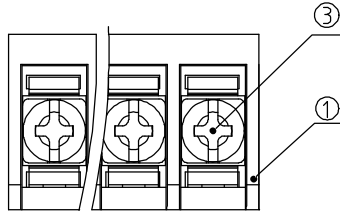
Tel: +86-755-8981 8866 Fax: +86-755-8427 6832

Email & Skype: info@chipsmall.com Web: www.chipsmall.com

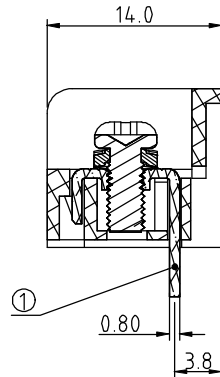
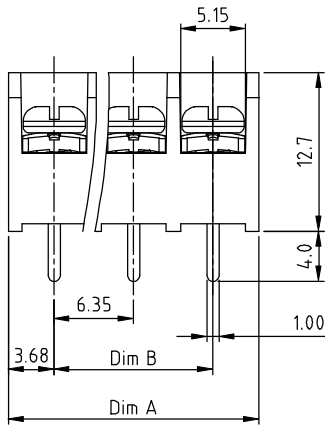
Address: A1208, Overseas Decoration Building, #122 Zhenhua RD., Futian, Shenzhen, China



PRODUCT NUMBER	PITCH
YK221xx0x0J0G	6.35 mm



RECOMMENDED P.C.B LAYOUT
TOP VIEW



MATERIALS & ELECTRICAL
 RATED VOLTAGE & CURRENT: cULus 250 V, 10 A / CQC 250 V, 9 A
 WITHSTAND VOLTAGE: AC 2000 V/Min
 INSULATION RESISTANCE: 1000 M Ω OR MORE AT DC 500 V
 OPERATING TEMPERATURE RANG: -40 °C ~ +115 °C
 SCREW TORQUE VALUE: 5.3 Lb-In.
 WIRE RANGE: 22 - 18 AWG
 1) HOUSING: Thermoplastic, UL 94 V-0 BLACK
 2) TERMINAL: BRASS, 0.8t
 3) TERMINAL SCREWS: STEEL, M3

APPROVAL:

A

A

DIMENSION

Dim A	N \times 6.35 \pm 1.0
Dim B	(N-1) \times 6.35

N=Number of poles

Poles	Tolerance
2p-5p	\pm 0.20
6p-10p	\pm 0.25
11p-16p	\pm 0.35
17p-24p	\pm 0.40
25p-31p	\pm 0.50

PART NO.: YK 221xx 0 x 0 JOG

No. of poles
 02 2 poles
 03 3 poles

 31 31 poles

Plated		
Code	Terminal	Screw
0	G/F	G/F
1	G/F	Zinc
2	Tin	G/F
3	Tin	Zinc

RoHS compliant
 (lead<4%)
 In copper Alloy

mat'l. code		surface ASME Y14.5	tolerance ASME Y14.5	projection 	product family TERMINAL BLOCK
ltr	ecn no	dr	date	tolerances unless otherwise specified	title TERMINAL BLOCK
				angles X \pm 1°	BARRIER TYPE
				scale MM	dwg no YK221xx0x0J0G
				dr EVAN LU 061614	sheet 1 of 1 size A4
				enr EVAN LU 061614	type CUSTOMER Drawing
				chr HANKE FENG 061614	
				appd SHI JUN 061614	
sheet index	revision sheet	A	1		

B

B