



Chipsmall Limited consists of a professional team with an average of over 10 year of expertise in the distribution of electronic components. Based in Hongkong, we have already established firm and mutual-benefit business relationships with customers from,Europe,America and south Asia,supplying obsolete and hard-to-find components to meet their specific needs.

With the principle of “Quality Parts,Customers Priority,Honest Operation,and Considerate Service”,our business mainly focus on the distribution of electronic components. Line cards we deal with include Microchip,ALPS,ROHM,Xilinx,Pulse,ON,Everlight and Freescale. Main products comprise IC,Modules,Potentiometer,IC Socket,Relay,Connector.Our parts cover such applications as commercial,industrial, and automotives areas.

We are looking forward to setting up business relationship with you and hope to provide you with the best service and solution. Let us make a better world for our industry!



Contact us

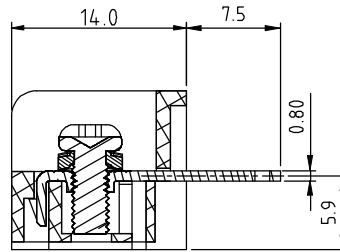
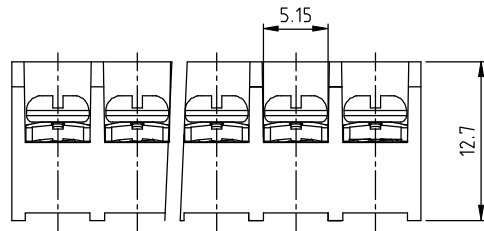
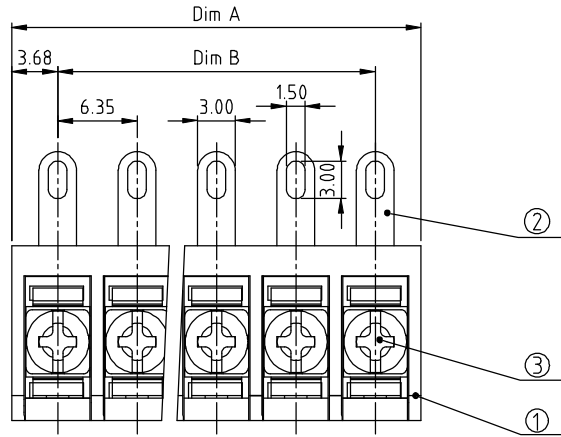
Tel: +86-755-8981 8866 Fax: +86-755-8427 6832

Email & Skype: info@chipsmall.com Web: www.chipsmall.com

Address: A1208, Overseas Decoration Building, #122 Zhenhua RD., Futian, Shenzhen, China



PRODUCT NUMBER	PITCH
YK223xx0x0J0G	6.35 mm



MATERIALS & ELECTRICAL
 RATED VOLTAGE & CURRENT: cULus 250 V, 10 A / CQC 250 V, 9 A
 WITHSTAND VOLTAGE: AC 2000 V/Min
 INSULATION RESISTANCE: 1000 M Ω OR MORE AT DC 500 V
 OPERATING TEMPERATURE RANG: -40 $^{\circ}$ C ~ +115 $^{\circ}$ C
 SCREW TORQUE VALUE: 5.3 Lb-In.
 WIRE RANGE: 22 - 18 AWG
 1) HOUSING: Thermoplastic, UL 94 V-0 BLACK
 2) TERMINAL: BRASS, 0.8t
 3) TERMINAL SCREWS: STEEL, M3

APPROVAL:

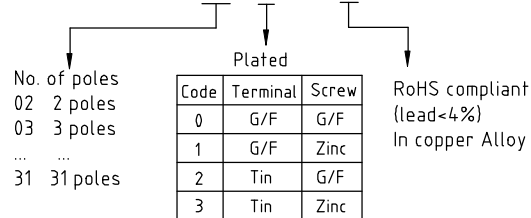
DIMENSION

Dim A	N \times 6.35+1.0
Dim B	(N-1) \times 6.35

N=Number of poles

Poles	Tolerance
2p-5p	\pm 0.20
6p-10p	\pm 0.25
11p-16p	\pm 0.35
17p-24p	\pm 0.40
25p-31p	\pm 0.50

PART NO.: YK 223xx 0 x 0 JOG



mat'l. code		surface	tolerance	projection	product family
		ASME Y14.5	ASME Y14.5		TERMINAL BLOCK
ltr	ecn no	dr	date	title	
				TERMINAL BLOCK	
				BARRIER TYPE	
				scale	dwg no
					sheet 1 of 1
					size
					A4
					type
					CUSTOMER Drawing
sheet index	revision sheet	A	1		