



Chipsmall Limited consists of a professional team with an average of over 10 year of expertise in the distribution of electronic components. Based in Hongkong, we have already established firm and mutual-benefit business relationships with customers from,Europe,America and south Asia,supplying obsolete and hard-to-find components to meet their specific needs.

With the principle of “Quality Parts,Customers Priority,Honest Operation,and Considerate Service”,our business mainly focus on the distribution of electronic components. Line cards we deal with include Microchip,ALPS,ROHM,Xilinx,Pulse,ON,Everlight and Freescale. Main products comprise IC,Modules,Potentiometer,IC Socket,Relay,Connector.Our parts cover such applications as commercial,industrial, and automotives areas.

We are looking forward to setting up business relationship with you and hope to provide you with the best service and solution. Let us make a better world for our industry!



## Contact us

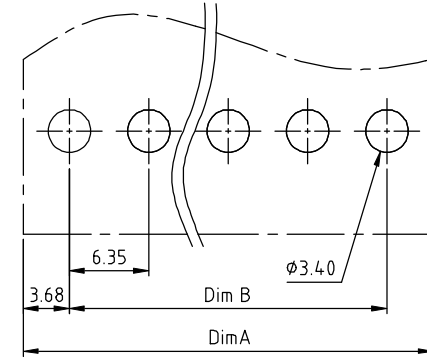
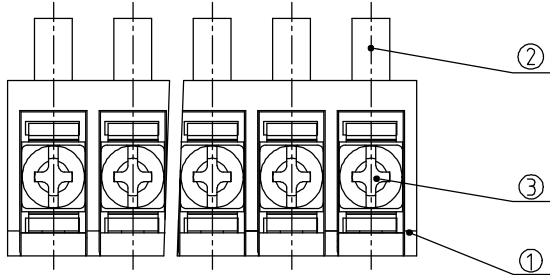
Tel: +86-755-8981 8866 Fax: +86-755-8427 6832

Email & Skype: info@chipsmall.com Web: www.chipsmall.com

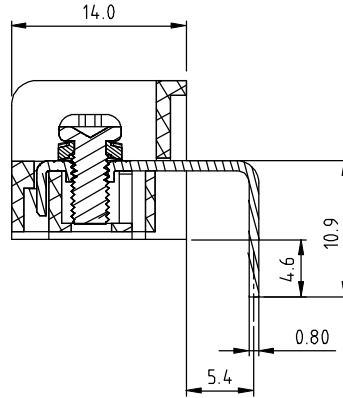
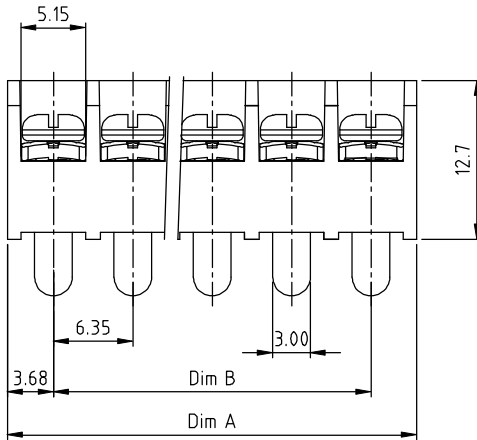
Address: A1208, Overseas Decoration Building, #122 Zhenhua RD., Futian, Shenzhen, China



PRODUCT NUMBER	PITCH
YK224xx0x0J0G	6.35 mm



RECOMMENDED P.C.B LAYOUT  
TOP VIEW



MATERIALS & ELECTRICAL  
 RATED VOLTAGE & CURRENT: cULus 250 V, 10 A / CQC 250 V, 9 A  
 WITHSTAND VOLTAGE: AC 2000 V/Min  
 INSULATION RESISTANCE: 1000 M $\Omega$ OR MORE AT DC 500 V  
 OPERATING TEMPERATURE RANG: -40  $^{\circ}$ C ~ +115  $^{\circ}$ C  
 SCREW TORQUE VALUE: 5.3 Lb-In.  
 WIRE RANGE: 22 - 18 AWG  
 1) HOUSING: Thermoplastic, UL 94 V-0 BLACK  
 2) TERMINAL: BRASS, 0.8t  
 3) TERMINAL SCREWS: STEEL, M3

APPROVAL:

A

A

DIMENSION

Dim A	N $\times$ 6.35 $\pm$ 1.0
Dim B	(N-1) $\times$ 6.35

N=Number of poles

Poles	Tolerance
2p-5p	$\pm$ 0.20
6p-10p	$\pm$ 0.25
11p-16p	$\pm$ 0.35
17p-24p	$\pm$ 0.40
25p-31p	$\pm$ 0.50

PART NO.: YK 224xx 0 x 0 JOG

No. of poles  
 02 2 poles  
 03 3 poles  
 ... ..  
 31 31 poles

Plated		
Code	Terminal	Screw
0	G/F	G/F
1	G/F	Zinc
2	Tin	G/F
3	Tin	Zinc

RoHS compliant  
 (lead<4%)  
 In copper Alloy

mat'l. code		surface ASME Y14.5	tolerance ASME Y14.5	projection 	product family TERMINAL BLOCK
ltr	ecn no	dr	date	title TERMINAL BLOCK	
tolerances unless otherwise specified				MM	BARRIER TYPE
angles	X. $\pm$ 0.5		scale		
flat	X.X $\pm$ 0.3		FCI		
X $\pm$ 1*	X.XX $\pm$ 0.1		dwg no YK224xx0x0J0G sheet 1 of 1 size A4		
dr	EVAN LU	061614	type CUSTOMER Drawing		
enr	EVAN LU	061614			
chr	HANKE FENG	061614			
appd	SHI JUN	061614			
sheet index	revision sheet	A	1		

B

B